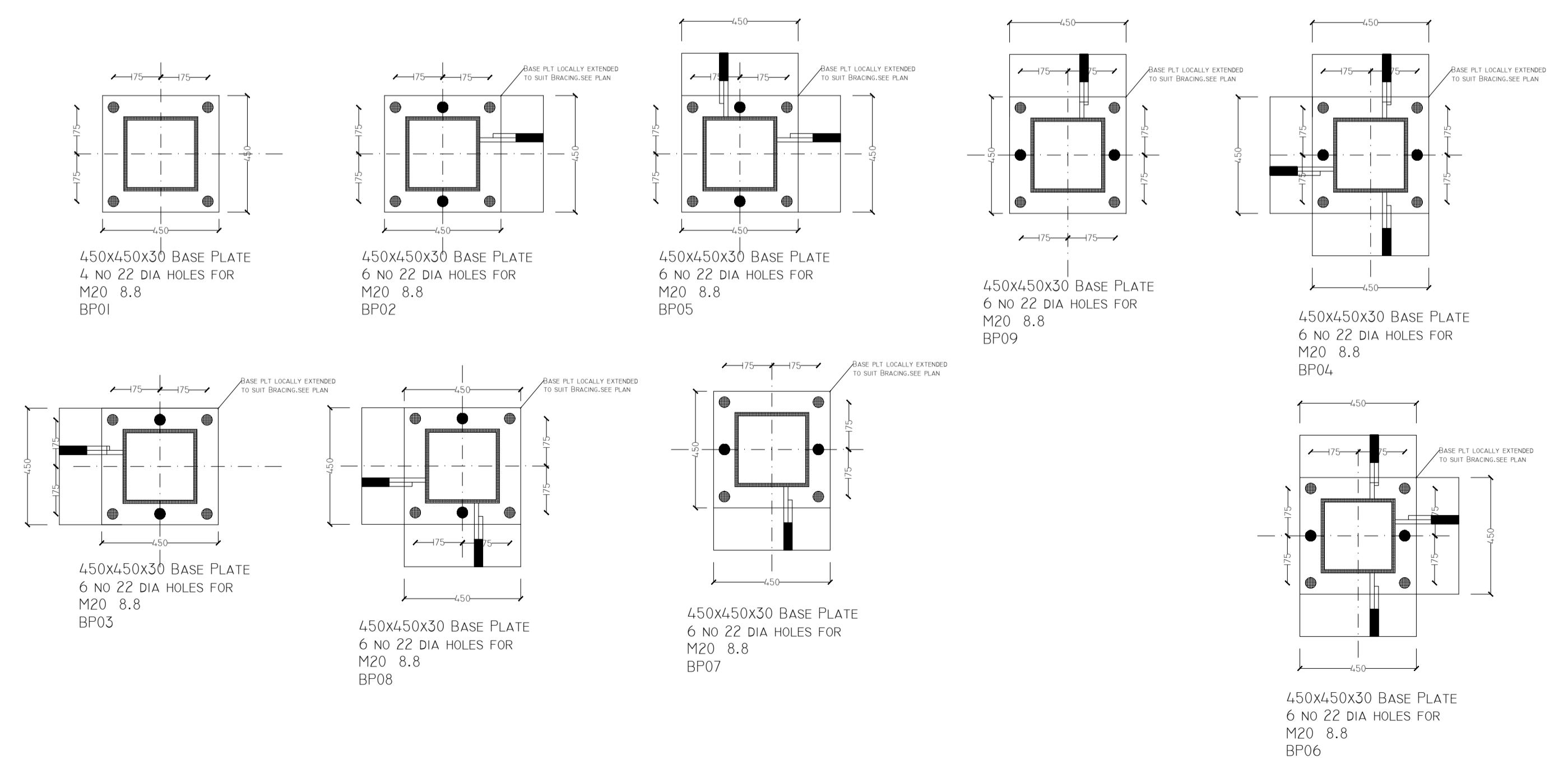
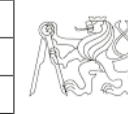
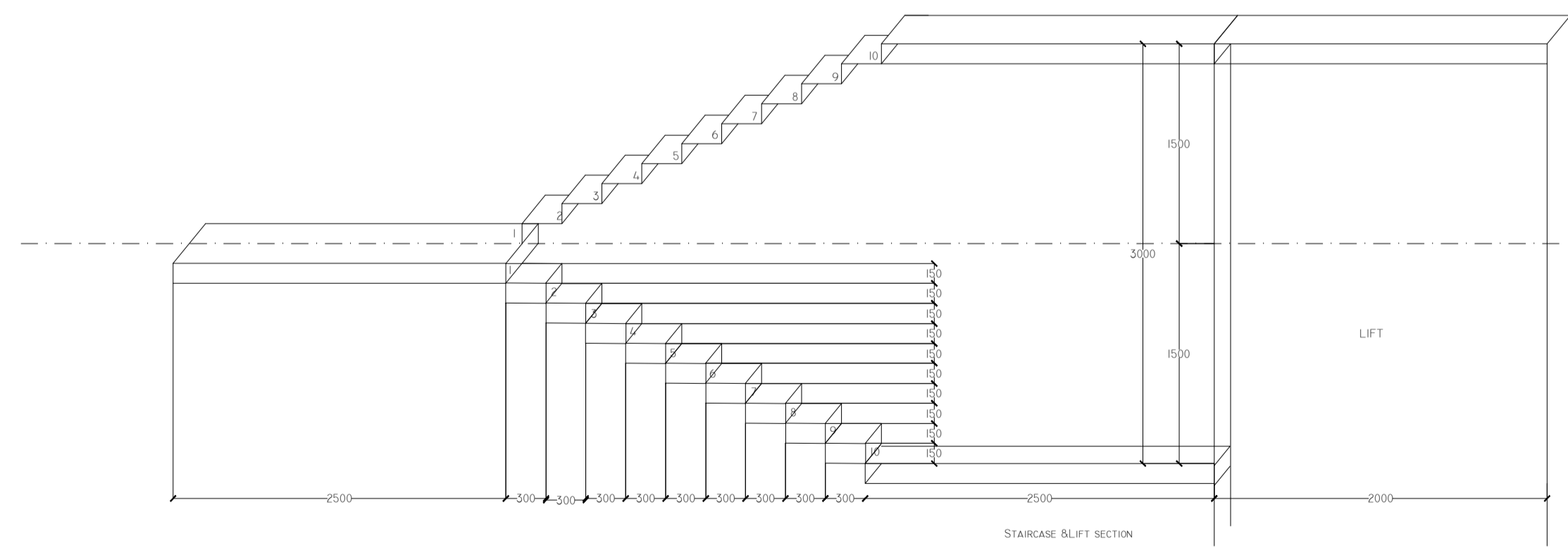
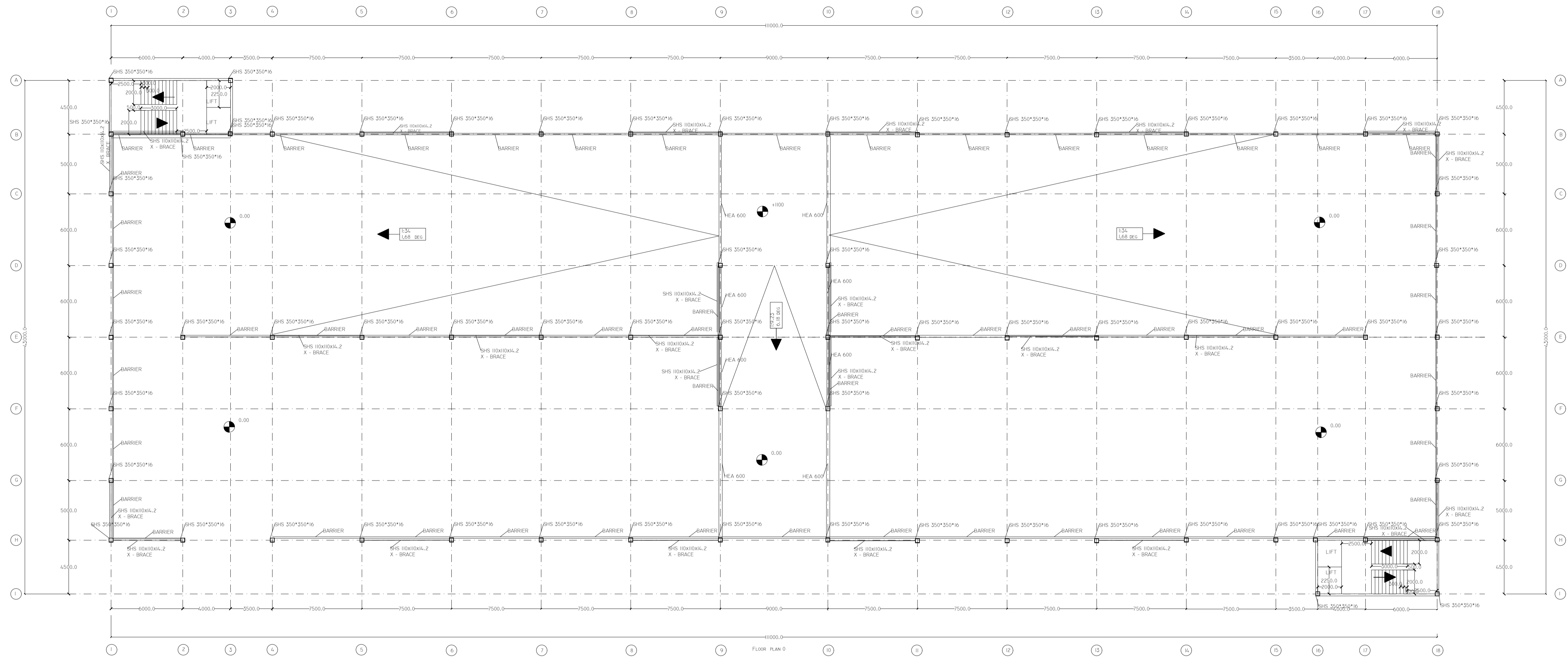





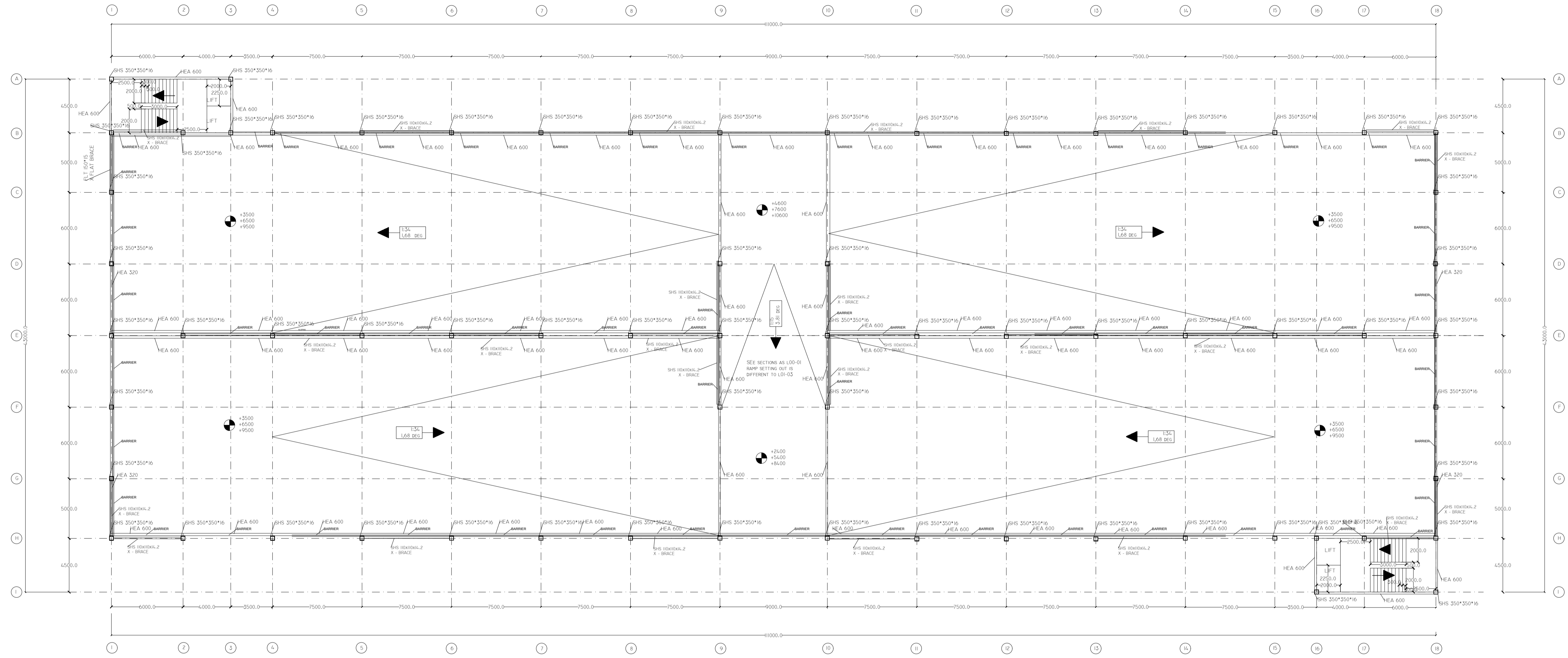
COLUMN BASES PLAN



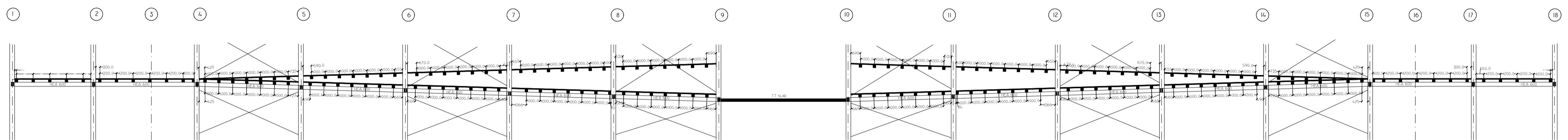
CZECH TECHNICAL UNIVERSITY	
PROJECT NAME : CAR-PARK	 CZECH TECHNICAL UNIVERSITY IN PRAGUE
DRAWING TITLE : COLUMN BASES PLAN	
DRAWING NO : 1	
ISSUE DATE : 03.01.2022	
DRAWING SCALE : 1:200-1:20	
DRAWN BY: RAMAZAN KOCA	



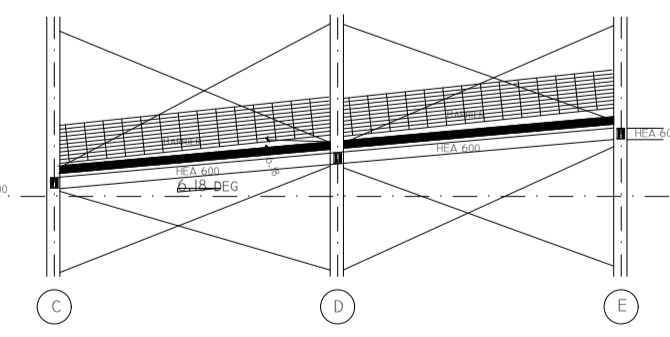
CZECH TECHNICAL UNIVERSITY	
PROJECT NAME :	CAR-PARK
DRAWING TITLE :	FLOOR PLAN 0
DRAWING NO :	2
ISSUE DATE :	03.01.2022
DRAWING SCALE :	1:100
DRAWN BY :	RAMAZAN KOCAL
 CZECH TECHNICAL UNIVERSITY IN PRAGUE	



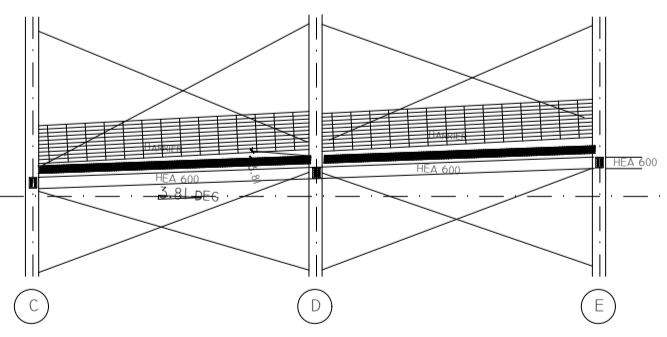
FLOOR PLAN 0-2-3




SECTION THROUGH GRID D

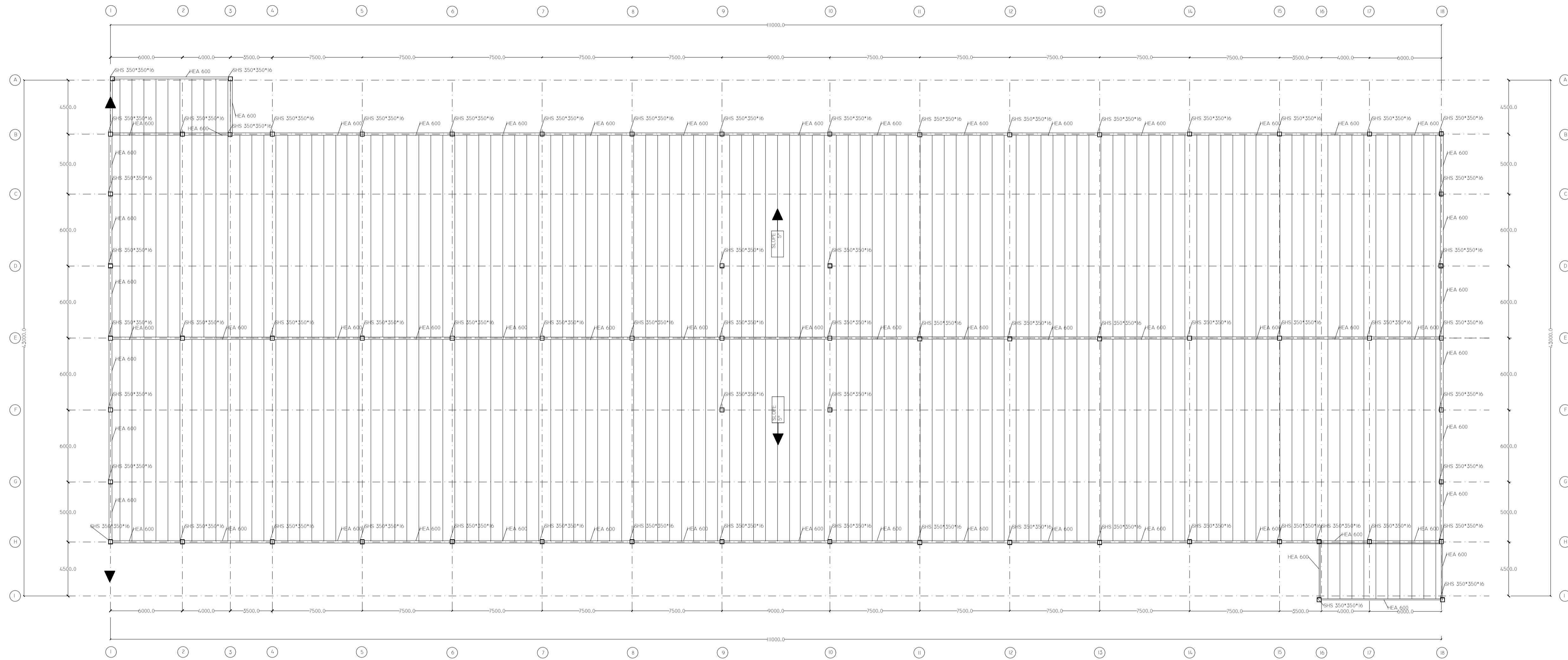


LEVEL 00-LEVEL 01 RAMP DETAILS

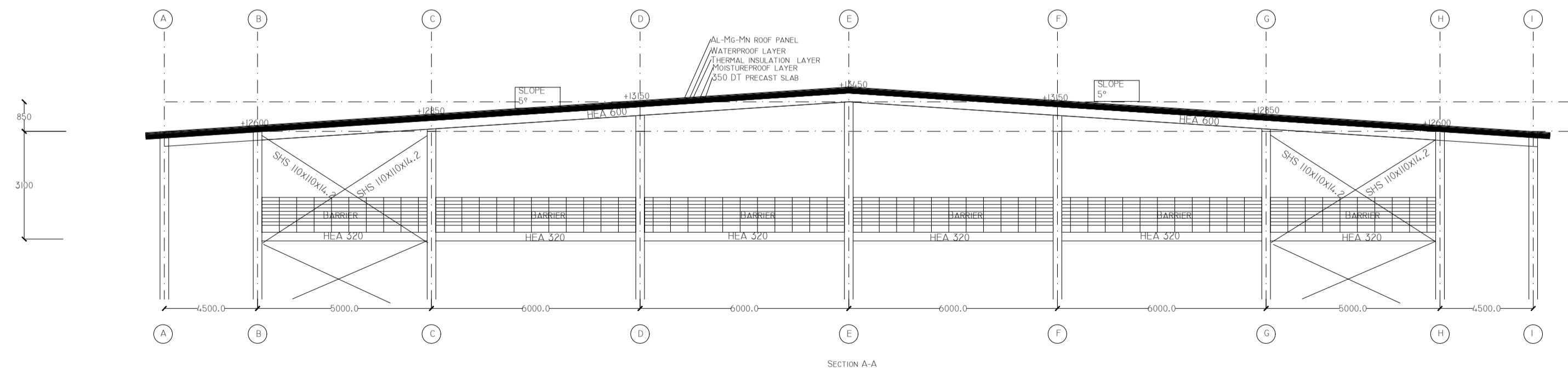



LEVEL 01-LEVEL 02 RAMP DETAILS

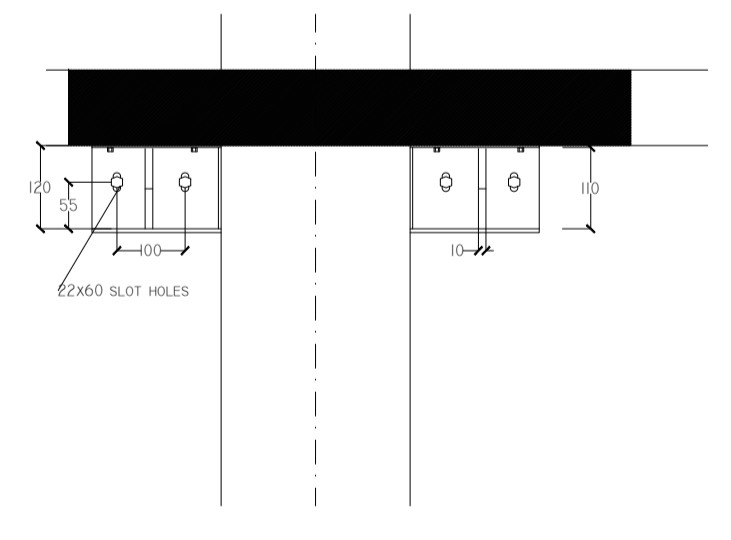
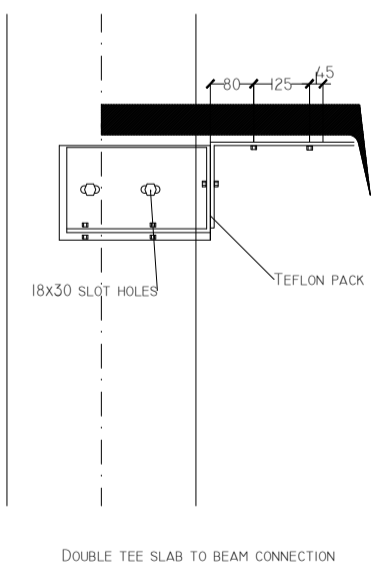
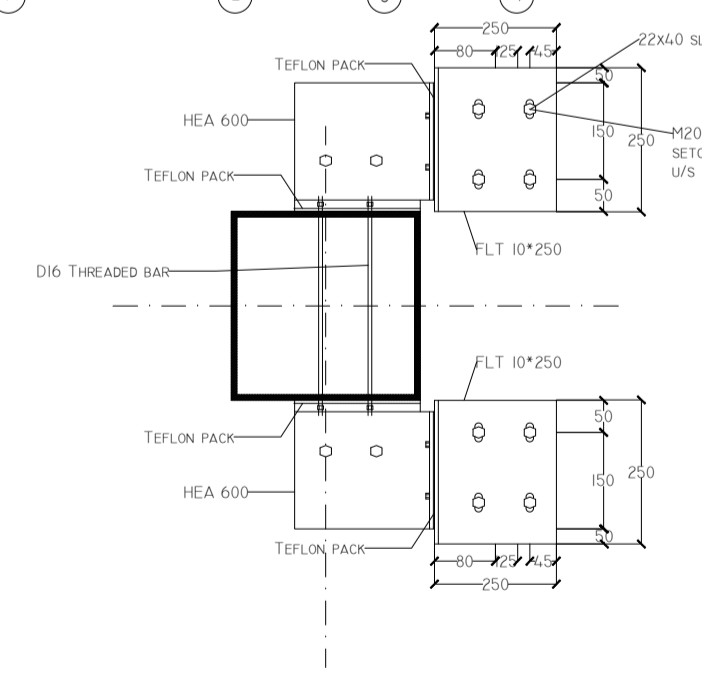
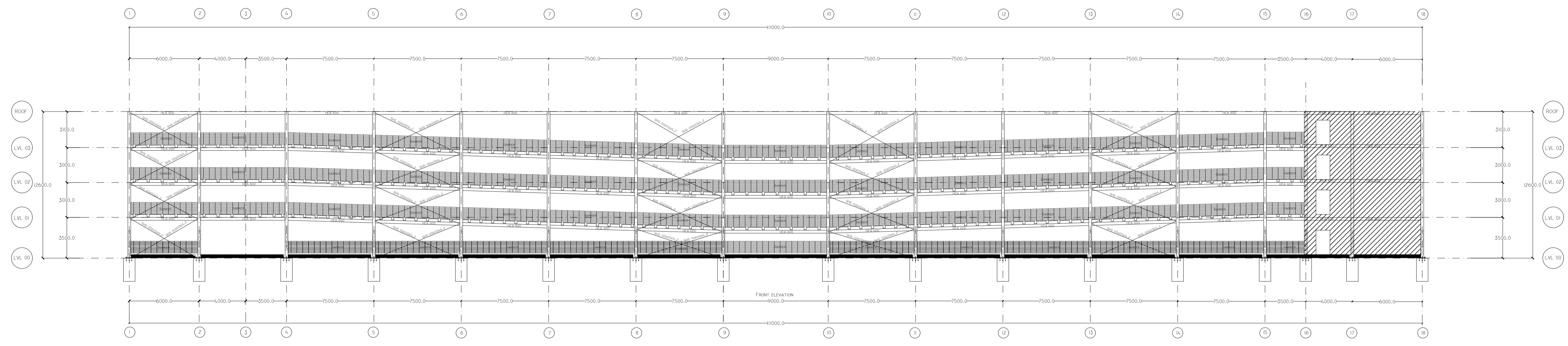
CZECH TECHNICAL UNIVERSITY	
PROJECT NAME : CAR PARK	 CZECH TECHNICAL UNIVERSITY IN PRAGUE
DRAWING TITLE : FLOOR PLAN 0-2-3	
DRAWING NO : 3	
ISSUE DATE : 03.01.2022	
DRAWING SCALE : 1:200-1:20	
DRAWN BY : RAMAZAN KOCA	




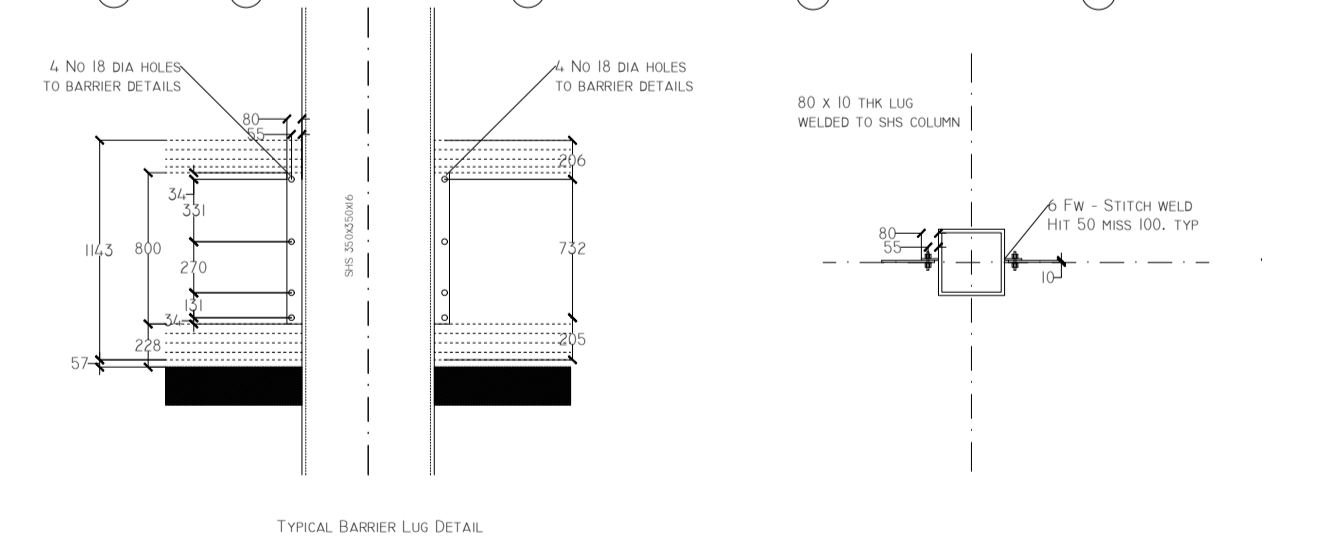
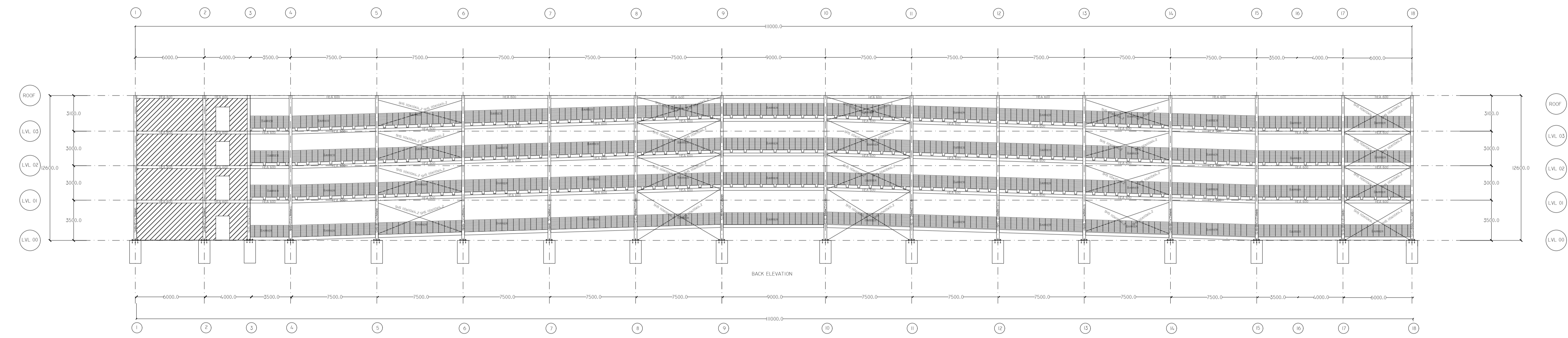
COLUMN BASES PLAN




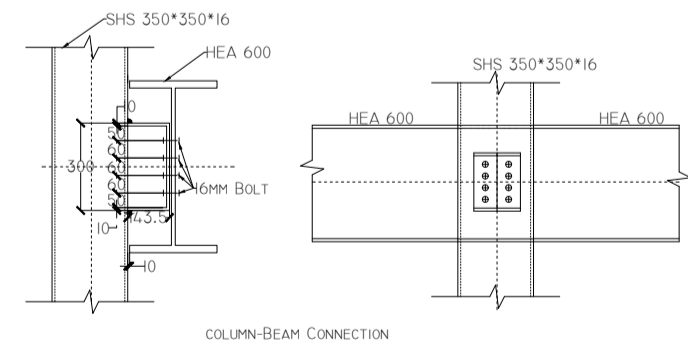
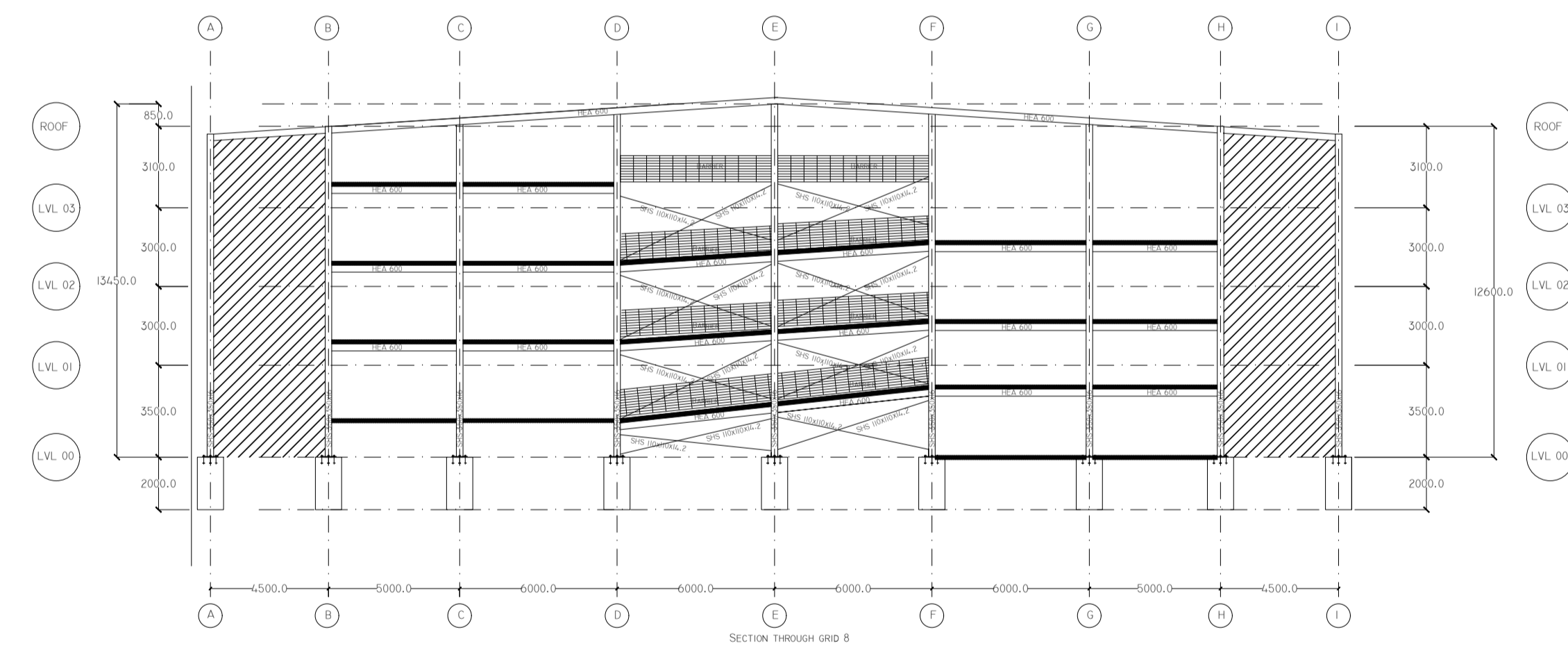
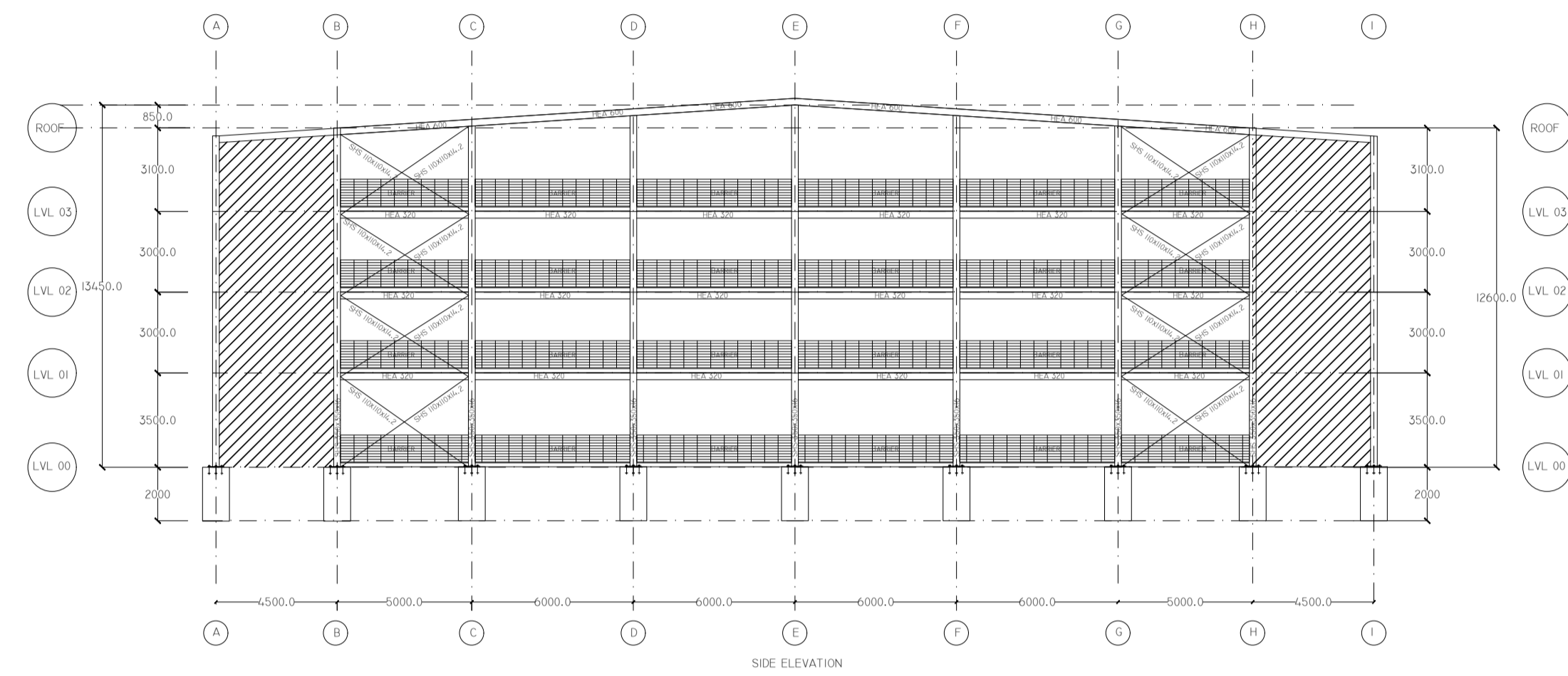
CZECH TECHNICAL UNIVERSITY	
PROJECT NAME : CAR-PARK	 CZECH TECHNICAL UNIVERSITY IN PRAGUE
DRAWING TITLE : ROOF PLAN	
DRAWING NO : 1.4	
ISSUE DATE : 03.01.2022	
DRAWN BY : RAMAZAN KOCA	




CZECH TECHNICAL UNIVERSITY	
PROJECT NAME : CAR-PARK	 CZECH TECHNICAL UNIVERSITY IN PRAGUE
DRAWING TITLE : FRONT VIEW-SECTIONS	
DRAWING NO : 5	
ISSUE DATE : 03.01.2022	
DRAWING SCALE : 1:200-1:20	
DRAWN BY : RAMAZAN KOCA	



CZECH TECHNICAL UNIVERSITY	
PROJECT NAME :	CAR PARK
DRAWING TITLE :	BACK ELEVATION-SECTIONS
DRAWING NO :	6
ISSUE DATE :	03.01.2022
DRAWING SCALE :	1:200-1:20
DRAWN BY :	RAMAZAN KOCA
 CZECH TECHNICAL UNIVERSITY IN PRAGUE	



CZECH TECHNICAL UNIVERSITY	
PROJECT NAME : CAR-PARK	 CZECH TECHNICAL UNIVERSITY IN PRAGUE
DRAWING TITLE : SIDE ELEVATION-SECTIONS	
DRAWING NO : 7	
ISSUE DATE : 03.01.2022	
DRAWING SCALE : 1:200-1:20	
DRAWN BY: RAMAZAN KOCIA	