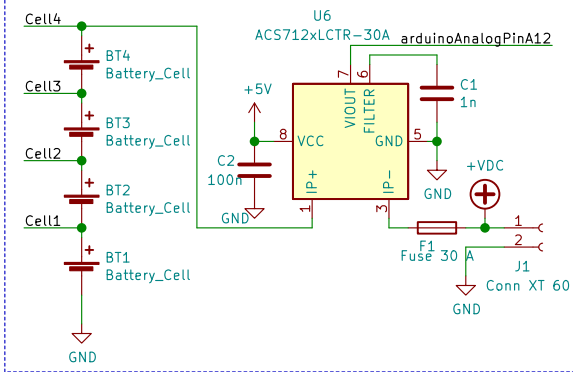
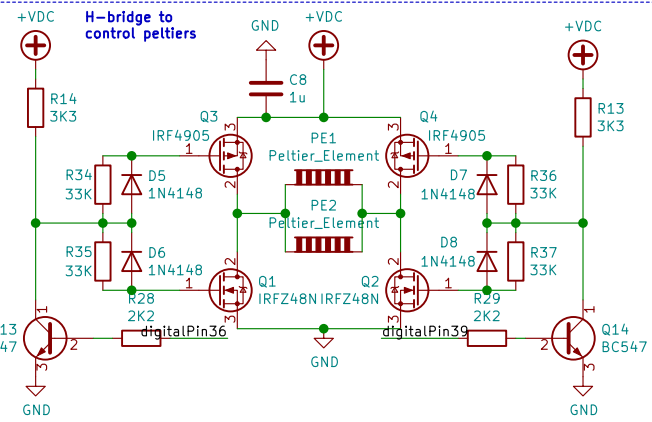


# Battery thermomanagement shield

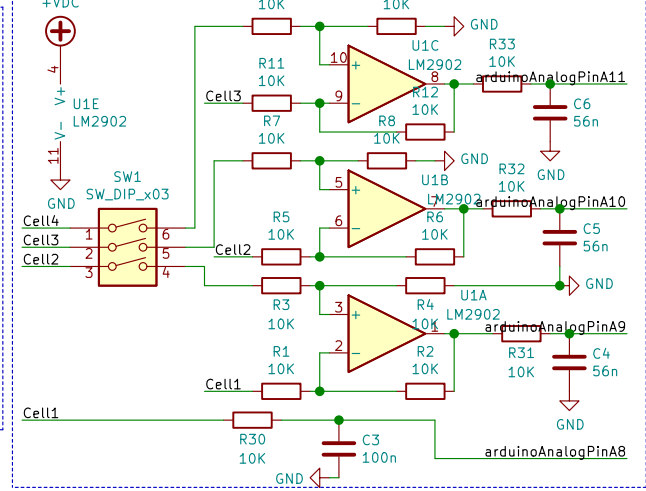
## power part



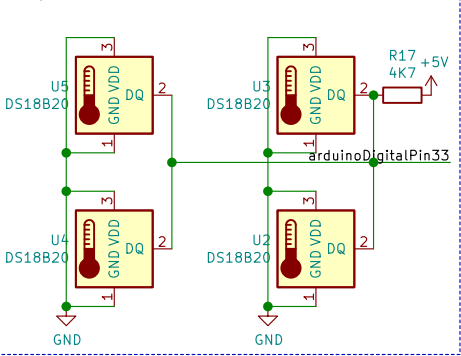
## H-bridge to control peltiers



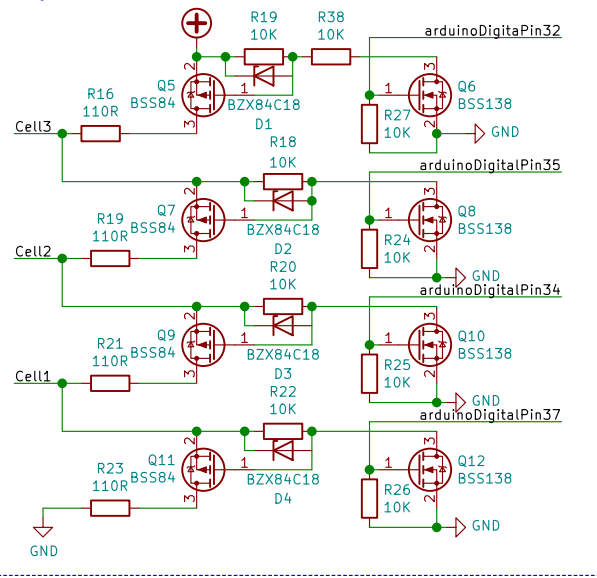
## differential amplifiers



## temperature sensors



## balancing circuits



Sheet: /	
File: battery_management_hezci_schema.sch	
<b>Title:</b>	
Size: A4	Date:
KiCad E.D.A. kicad (5.1.8-0-10_14)	Rev:
	Id: 1/1