
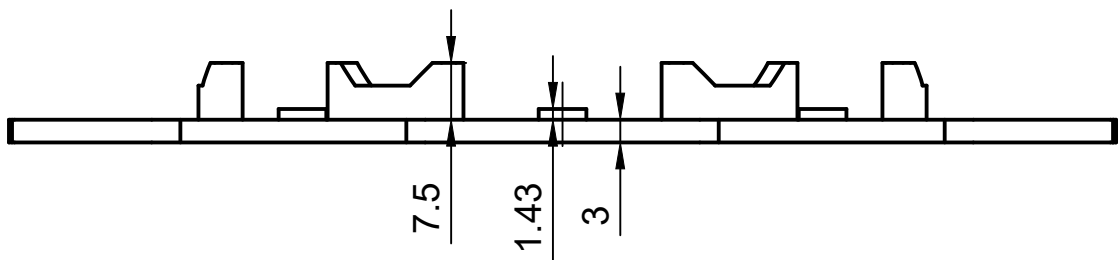
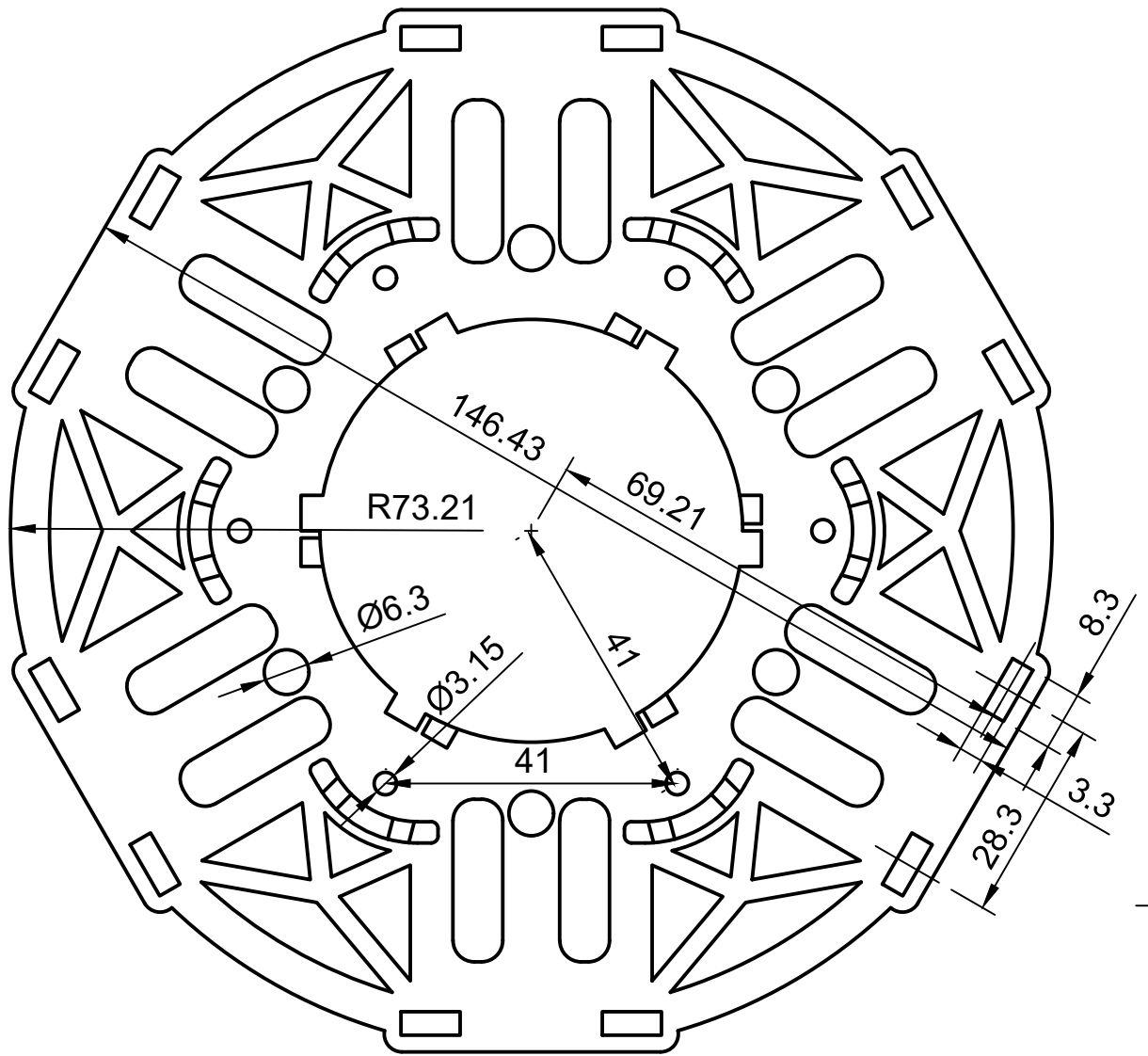

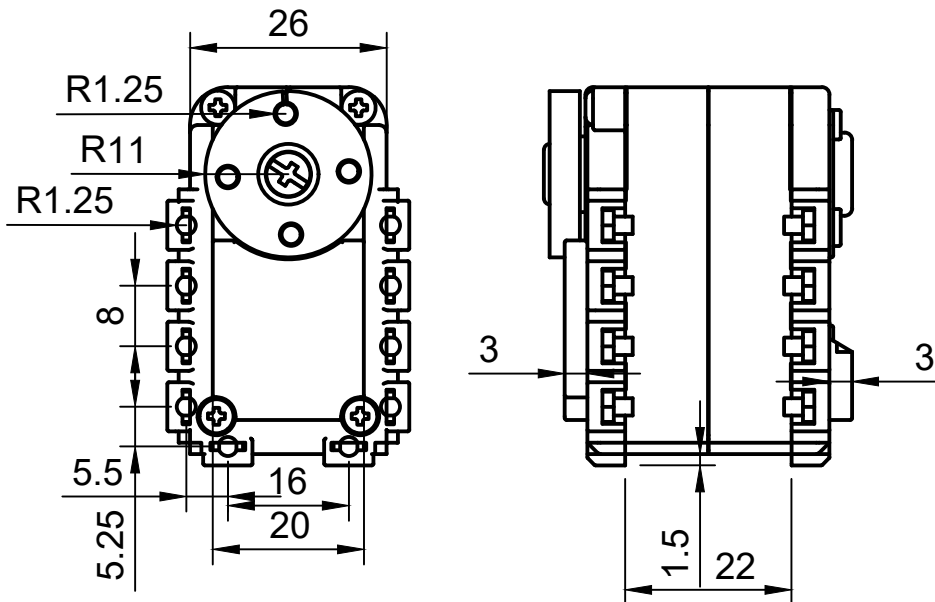
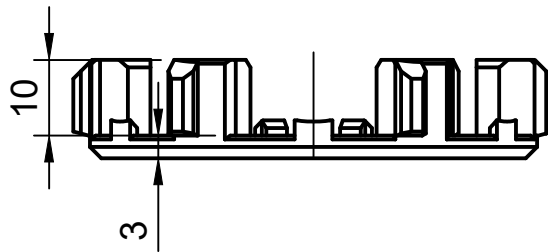
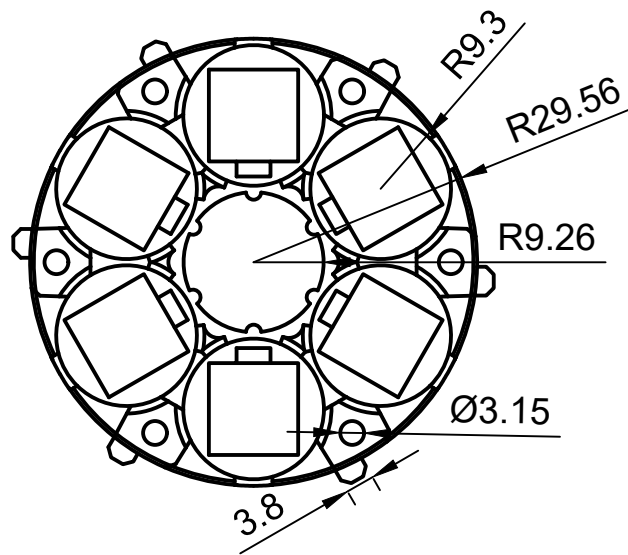



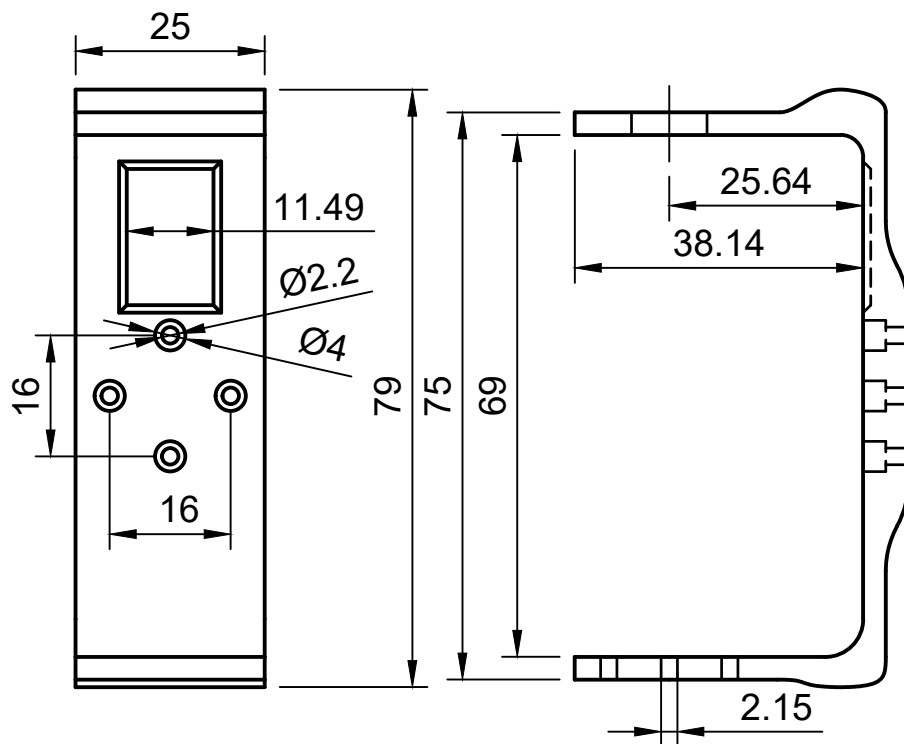
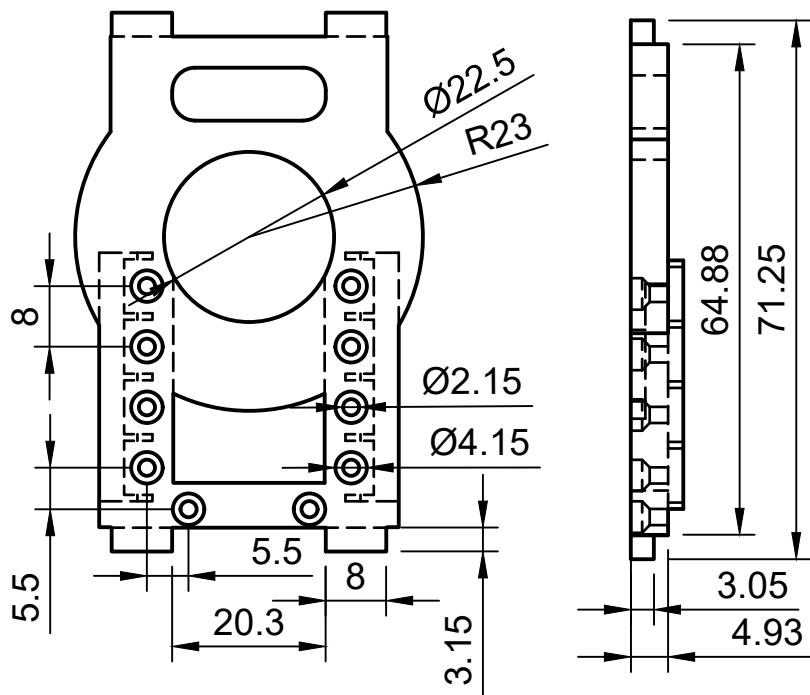
Dept. ComRob	Scale 1:2	Created by Martin Zoula, 10.5.2019	Approved by		
 FACULTY OF ELECTRICAL ENGINEERING CTU IN PRAGUE		Document type Technical Documentation	Document status		
		Title HAntR Hexapod Robot Mechanical Design Situation overview	DWG No.		
		Rev. 1	Date of issue 24.5.2019	Sheet 1/6	




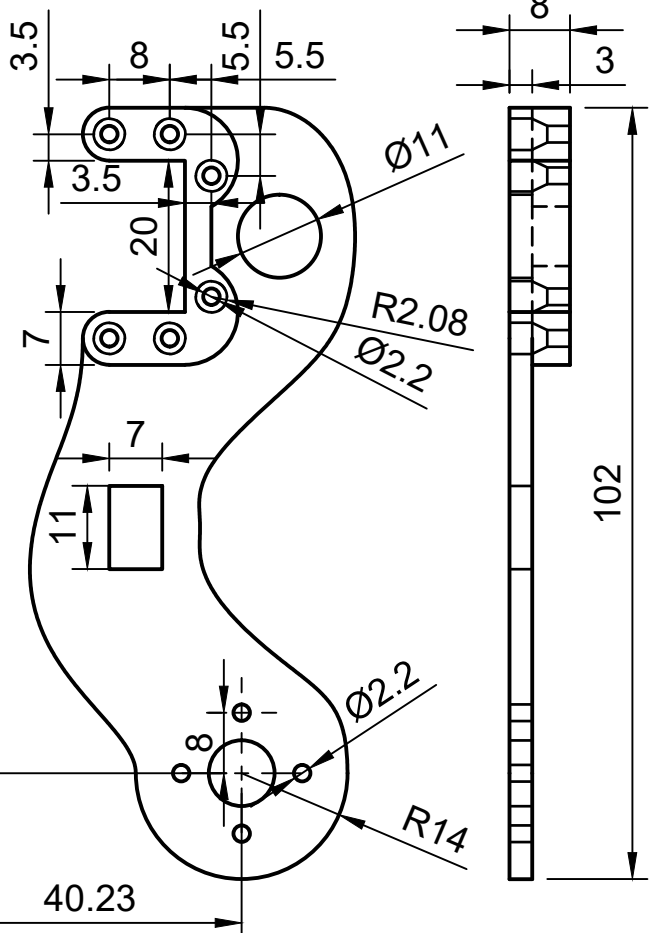
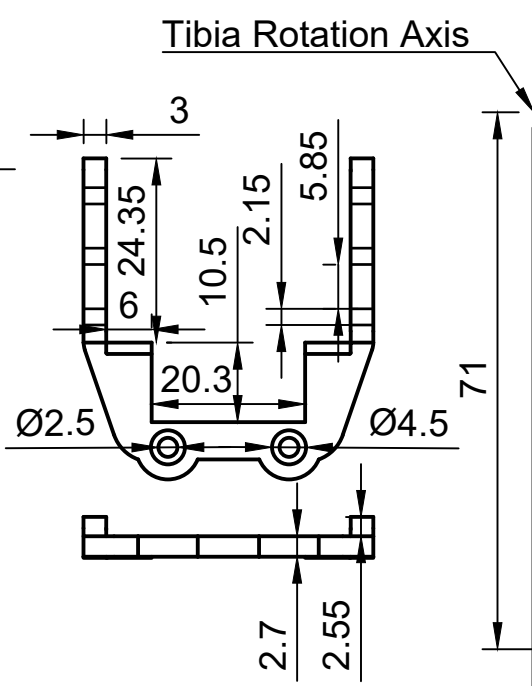
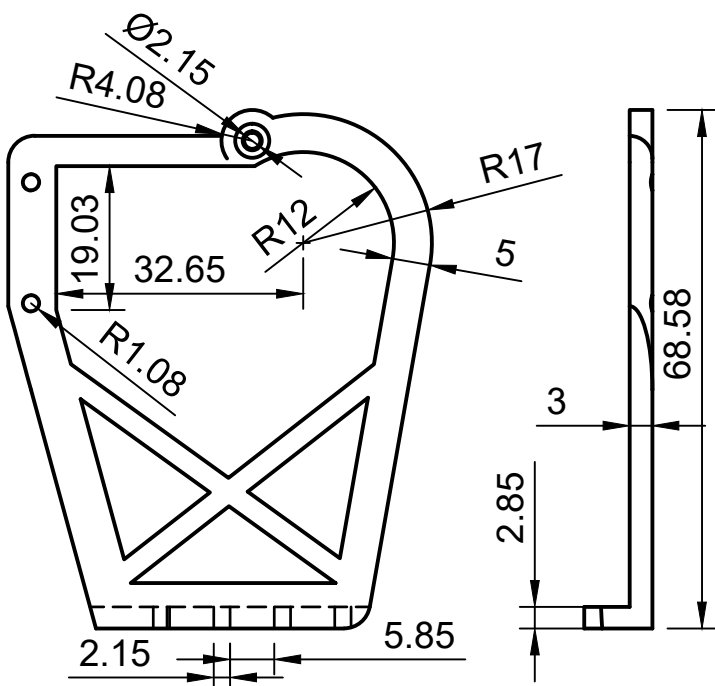
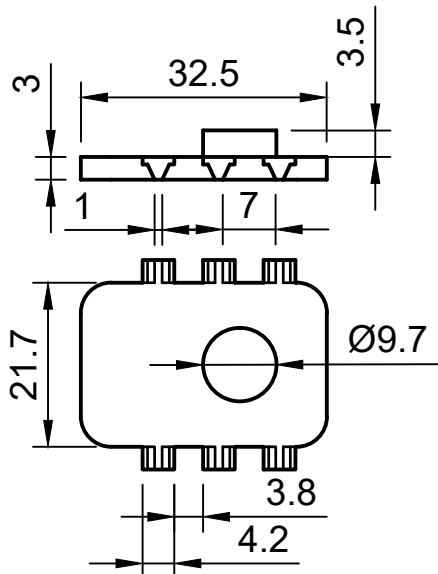
Dept. ComRob	Scale 1:1	Created by Martin Zoula, 10.5.2019	Approved by	
 FACULTY OF ELECTRICAL ENGINEERING CTU IN PRAGUE		Document type Technical Documentation	Document status	
		Title HAntR Hexapod Robot Mechanical Design Body Plate	DWG No.	
		Rev. 1	Date of issue 24.5.2019	Sheet 2/6




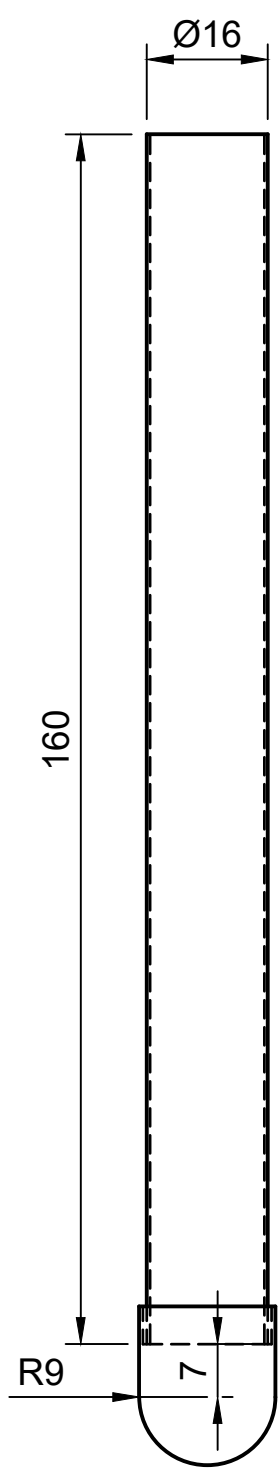
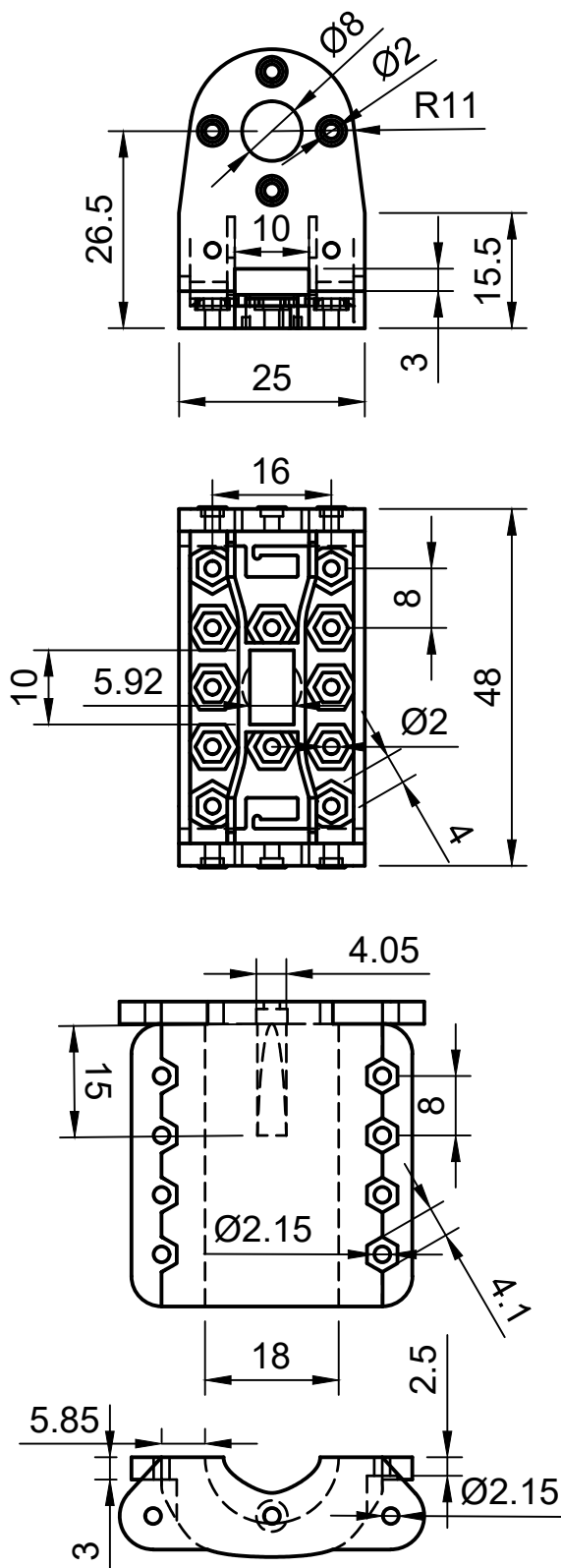
Dept. ComRob	Scale 1:1	Created by Martin Zoula, 10.5.2019	Approved by	
 FACULTY OF ELECTRICAL ENGINEERING CTU IN PRAGUE	Document type Technical Documentation		Document status	
	Title HAntR Hexapod Robot Mechanical Design Battery pack Plate Dynamixel AX-12A		DWG No.	
	Rev. 1	Date of issue 24.5.2019	Sheet 3/6	




Dept. ComRob	Scale 1:1	Created by Martin Zoula, 10.5.2019	Approved by	
 FACULTY OF ELECTRICAL ENGINEERING CTU IN PRAGUE		Document type Technical Documentation	Document status	
		Title HAntR Hexapod Robot Mechanical Design Servo Facing Coxa Bracket	DWG No.	
		Rev. 1	Date of issue 24.5.2019	Sheet 4/6



Dept. ComRob	Scale 1:1	Created by Martin Zoula, 10.5.2019	Approved by		
 FACULTY OF ELECTRICAL ENGINEERING CTU IN PRAGUE		Document type Technical Documentation	Document status		
		Title HAntR Hexapod Robot Mechanical Design Troch. Knob; Troch. Hoop Troch. Hoof; Femur Clamp	DWG No.		
		Rev. 1	Date of issue 24.5.2019	Sheet 5/6	



Dept. ComRob	Scale 1:1	Created by Martin Zoula, 10.5.2019	Approved by	
 FACULTY OF ELECTRICAL ENGINEERING CTU IN PRAGUE		Document type Technical Documentation	Document status	
		Title HAntR Hexapod Robot Mechanical Design Tibia Mount; Tibia Tube Foottip; Bioloid F2 Bracket	DWG No.	
		Rev. 1	Date of issue 24.5.2019	Sheet 6/6