

H G F E D C B A

4

3

2

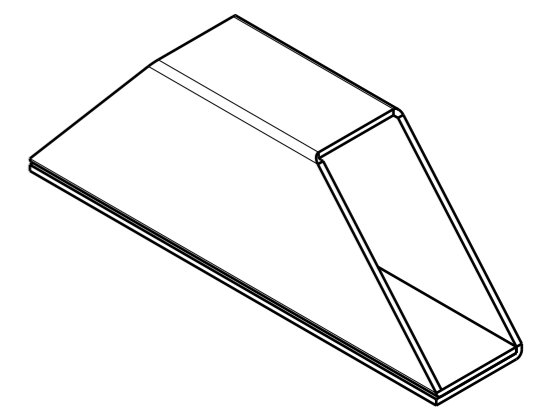
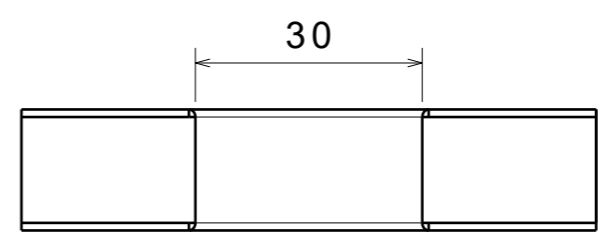
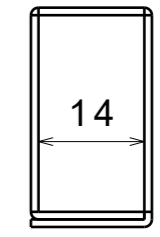
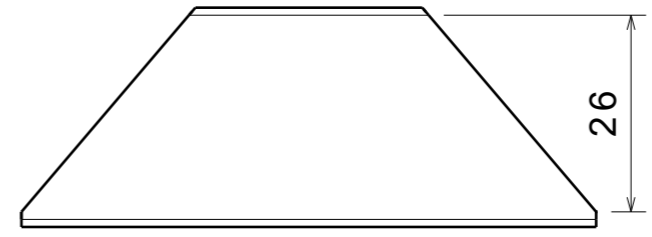
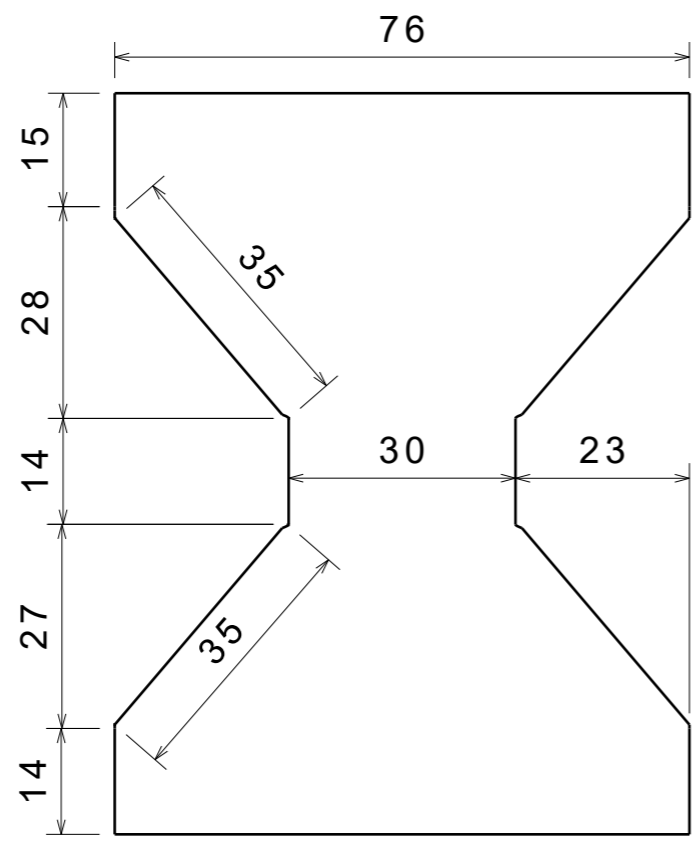
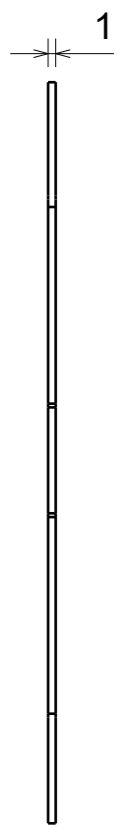
1

4

3

2

1



DESIGNED BY: SUGESH		<h1>Module holder</h1>		I	-
DATE: 04/11/2018				H	-
CHECKED BY: XXX				G	-
DATE: XXX				F	-
SIZE A3				E	-
SCALE 1:1		WEIGHT (kg) XXX	DRAWING NUMBER XXX	SHEET 1/1	D
This drawing is our property; it can't be reproduced or communicated without our written agreement.				C	-
				B	-
				A	-

H G F E D C B A