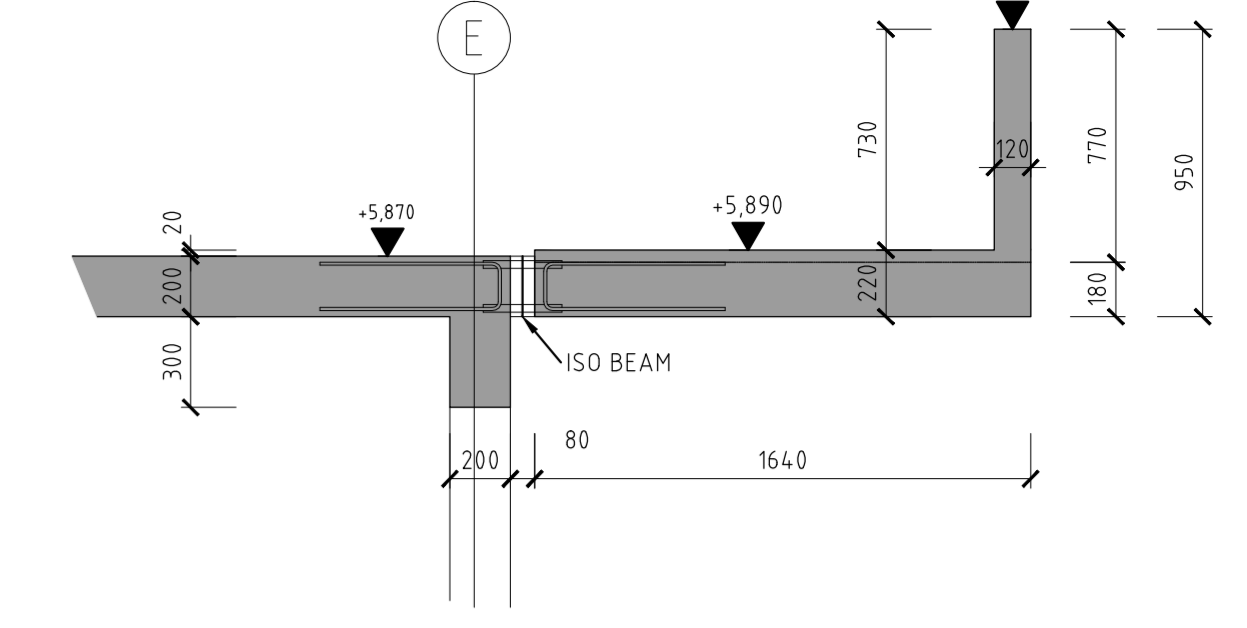
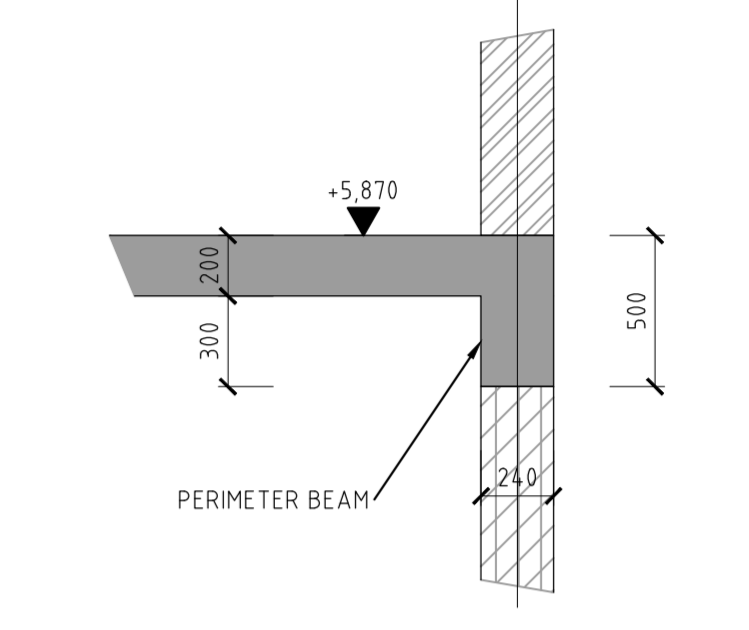


SECTION A-A
M150



SECTION B-B
M150



ALL LOAD BEARING WALLS IN FIRST LEVEL ARE FROM REINFORCED CONCRETE
LEGEND OF MATERIAL

- C30/37-XC1
- C25/30-XC1

CONCRETE: C30/37-XC1-S4, $D_{max} = 22$ mm, $cl < 0.2\%$
STEEL: B500B

$\pm 0.000 = +262,450$ BpV

RESIDENTIAL BUILDING		Czech Technical University
PURPOSE	BACHELOR THESIS - RESIDENTIAL BUILDING	date
CONSULTED WITH	Ing. Malila Noori, Ph.D.	05 / 2018
CREATED BY	Malathe Alkhateeb	scale
PART	CONCRETE	№ At
DRAWING	FORMWORK 1 LEVEL	Drawing №
		1.