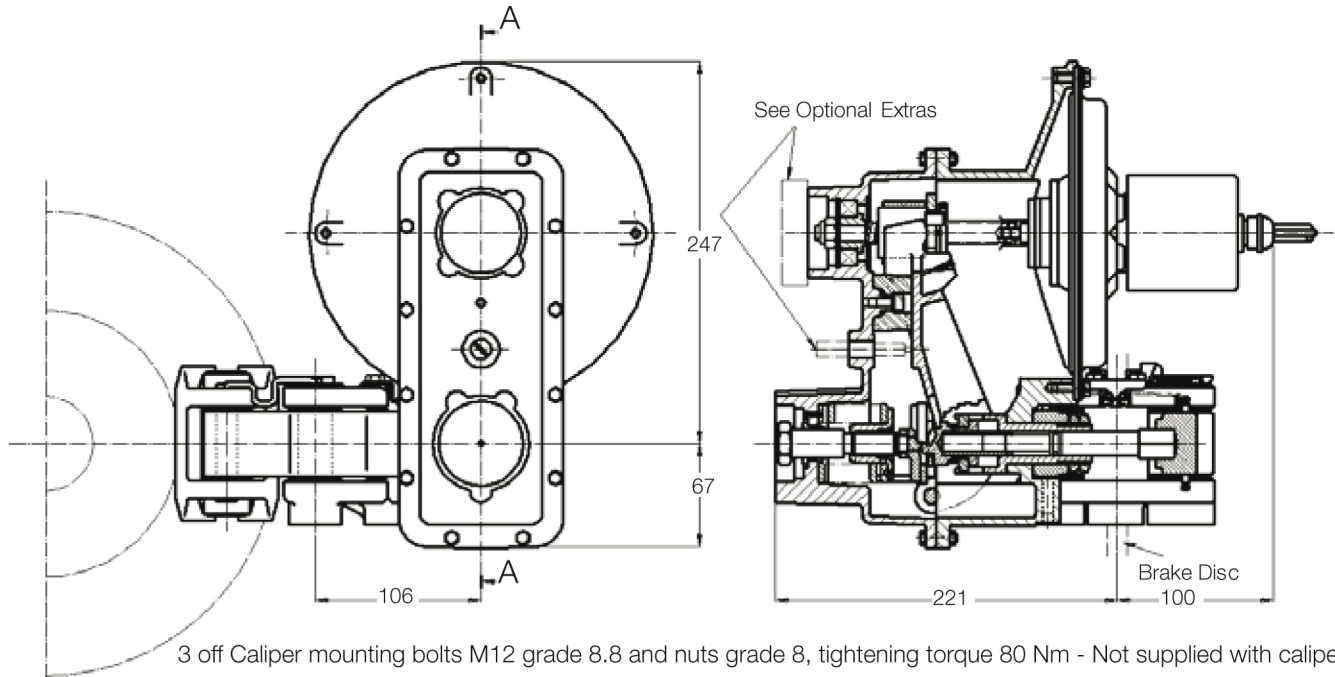
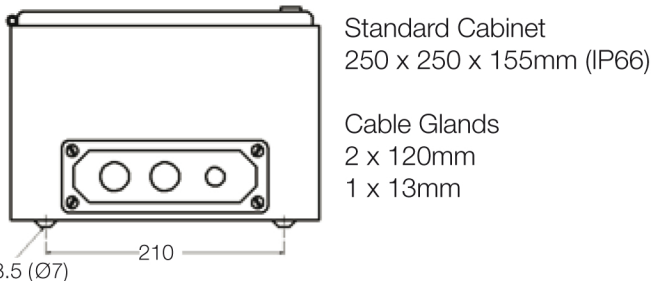
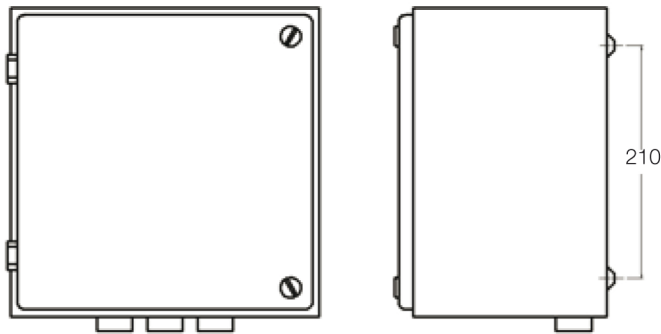


MXEA Electrically Released Brake

For MX Caliper dimensions see DS2500



Controller



Caliper constructed from spheroidal graphite cast iron
Actuator constructed from aluminium alloy

Braking Force: 6kN (adjustable to 50%)
Brake Pads: 104 cm² asbestos free. This caliper must be used with Twiflex brake pads. The use of any other brake pad will invalidate the warranty.

Pad wear allowance: 7mm (5mm for MX40)
Weight: 7.0kg MX Caliper only
8.7kg Actuator only
5.5kg Controller only

Application Time: 0.4sec. max. braking force
0.7sec. min. braking force

Power Consumption: 8W Hold
Electrical Rating: Continuous
Operations per Hour: 720 max continuous

Calipers		Actuator		Controllers			
Type	Part Number	Type	Part Number	Type	Voltage	Peak input	Part Number
MX	6780685	EA	7701211	AC5	110/125v 50/60Hz	5A at 110v	7701341
MX25	6780710				210/250v 50/60Hz		
MX30	6780711				380/440v 50/60Hz		
MX40	6780712			460/570v 50/60Hz			
				DC5	24v – 36v DC	25A	7701241