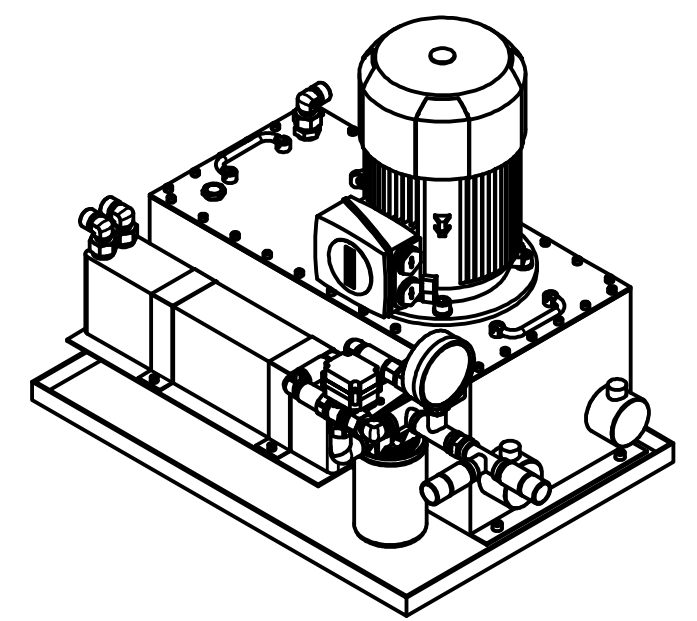
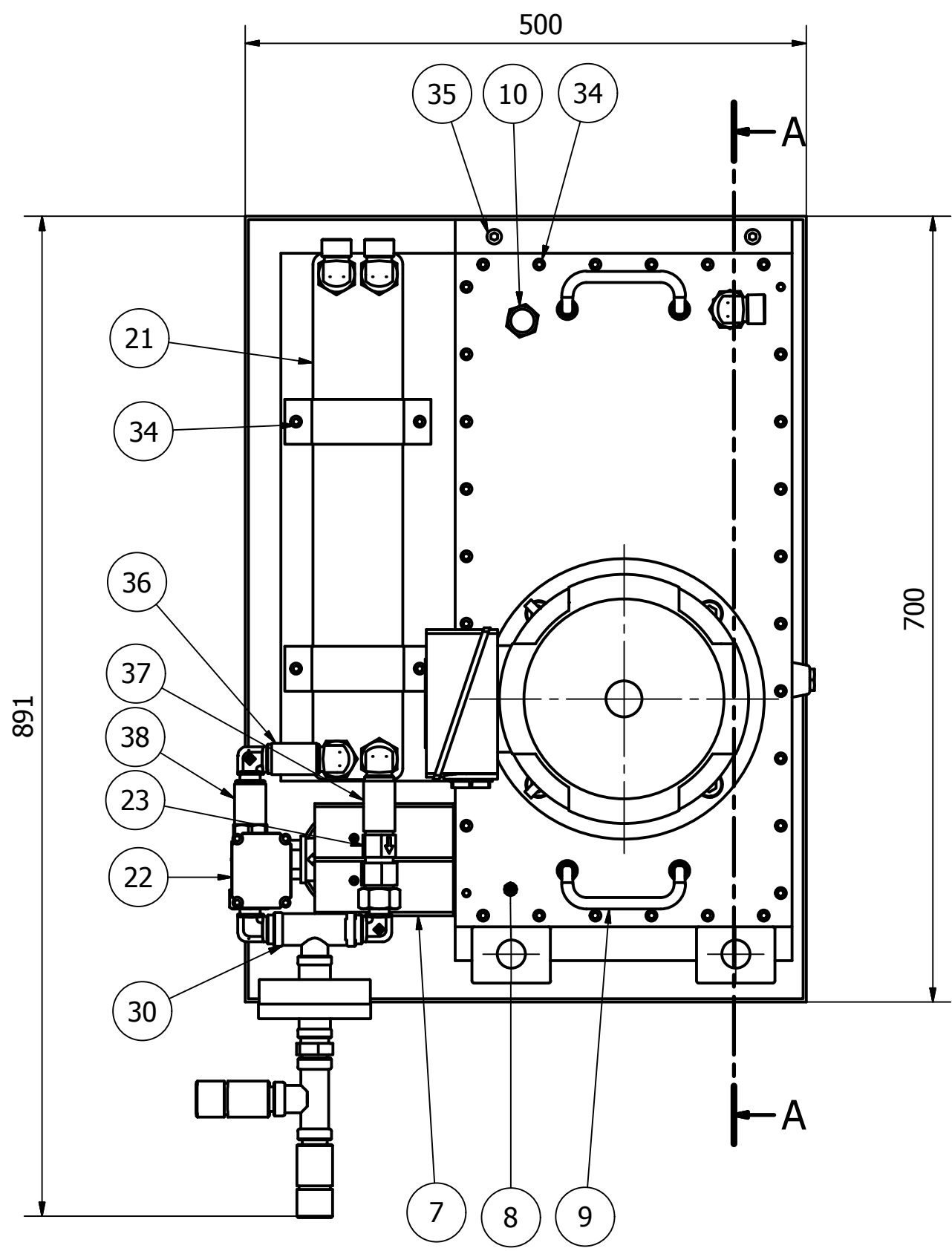
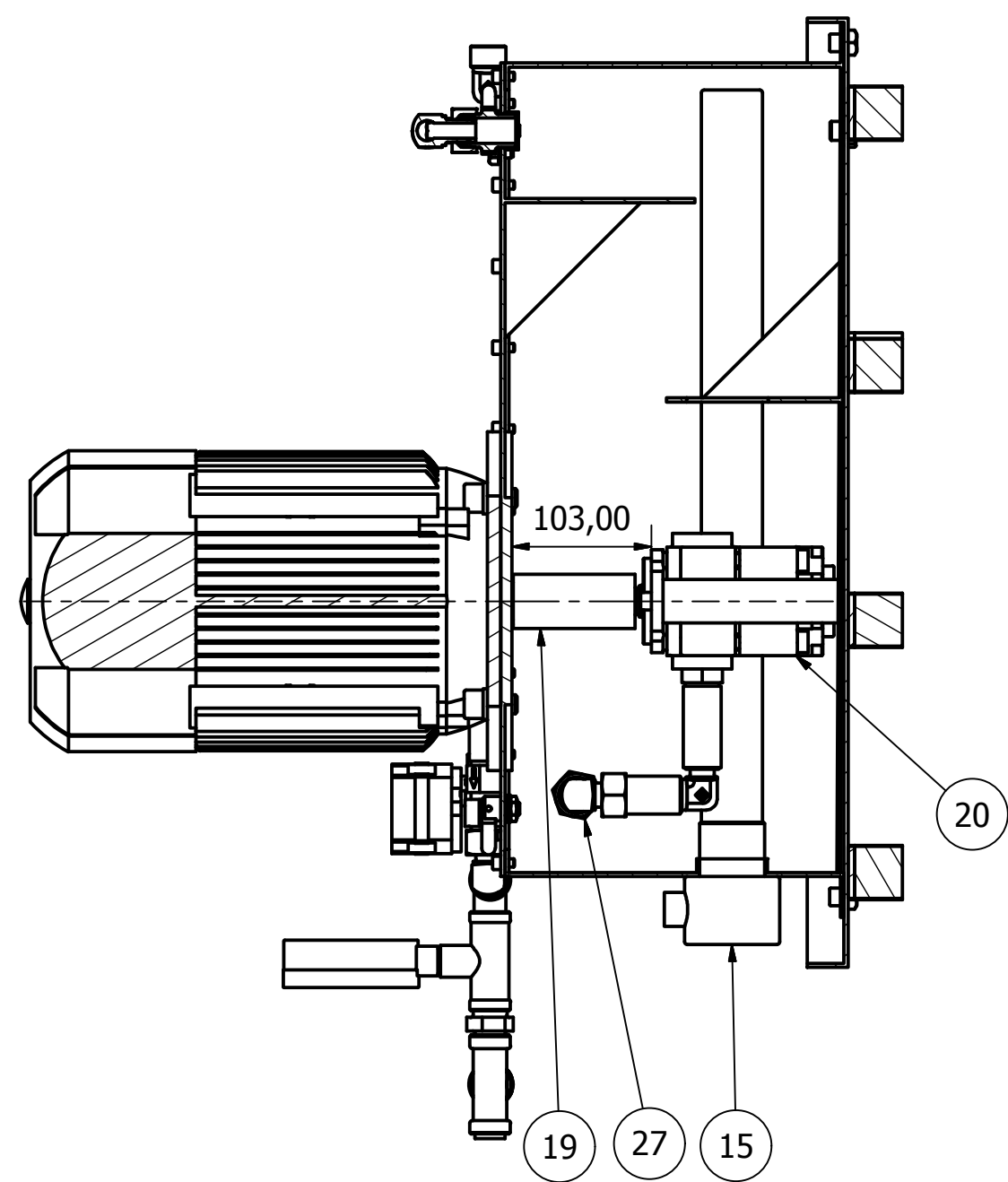


A-A (1:5)



| | | | | |
|-------------------------|----------|--|--------------|-----|
| DRAWN Vojtěch Kubina | 9.7.2017 | TITLE Stav_pro_chlazení_ohrev_oleje | | |
| CHECKED | | | | |
| QA | | SIZE A2 | DWG NO | REV |
| MFG | | SCALE 1:5 | SHEET 1 OF 1 | |
| APPROVED | | | | |