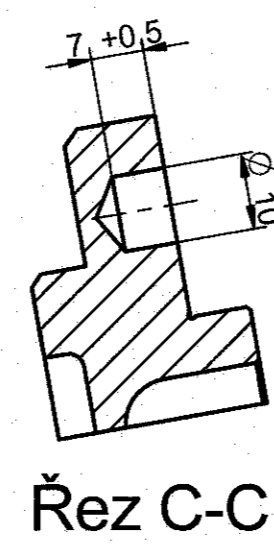
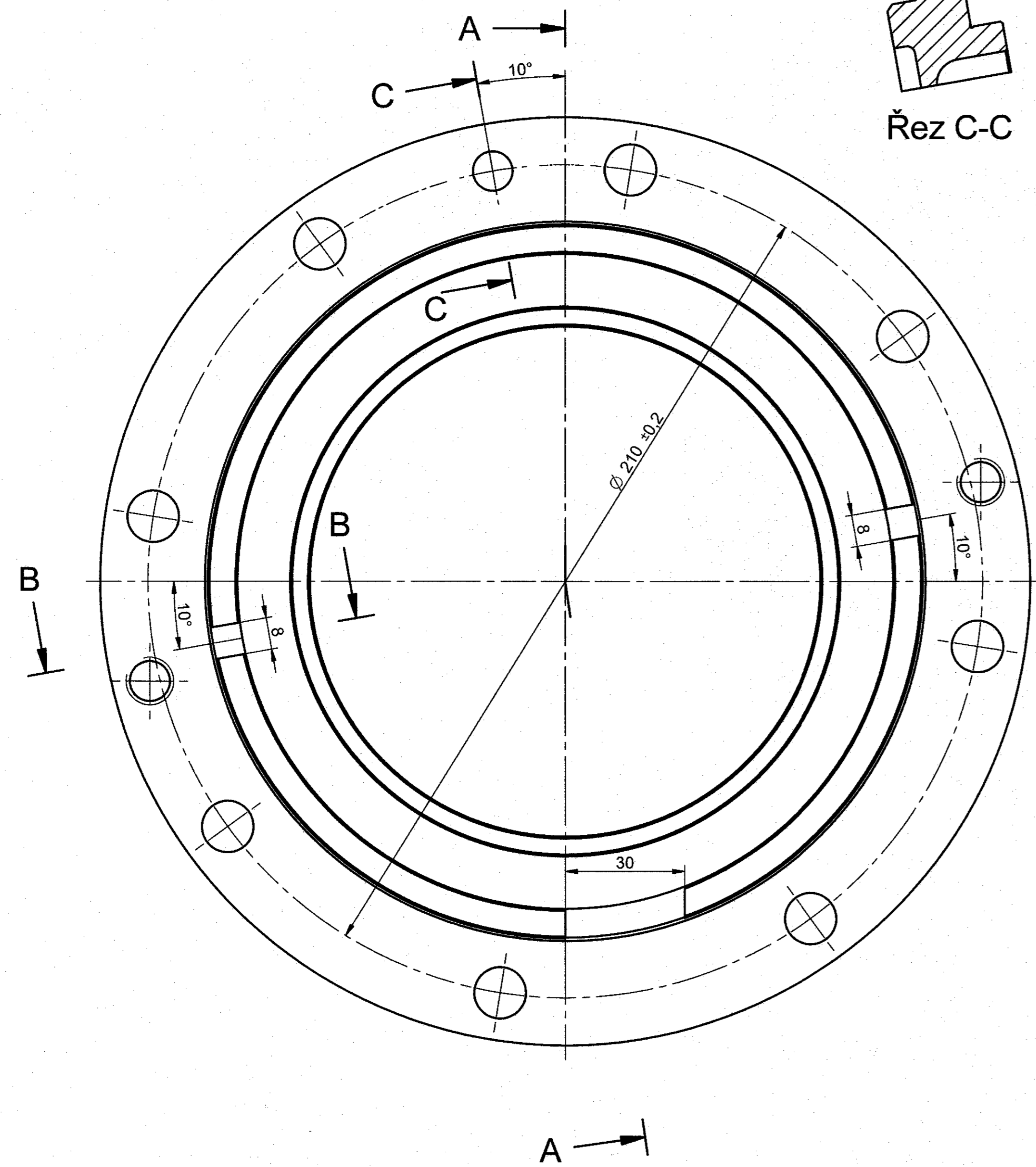
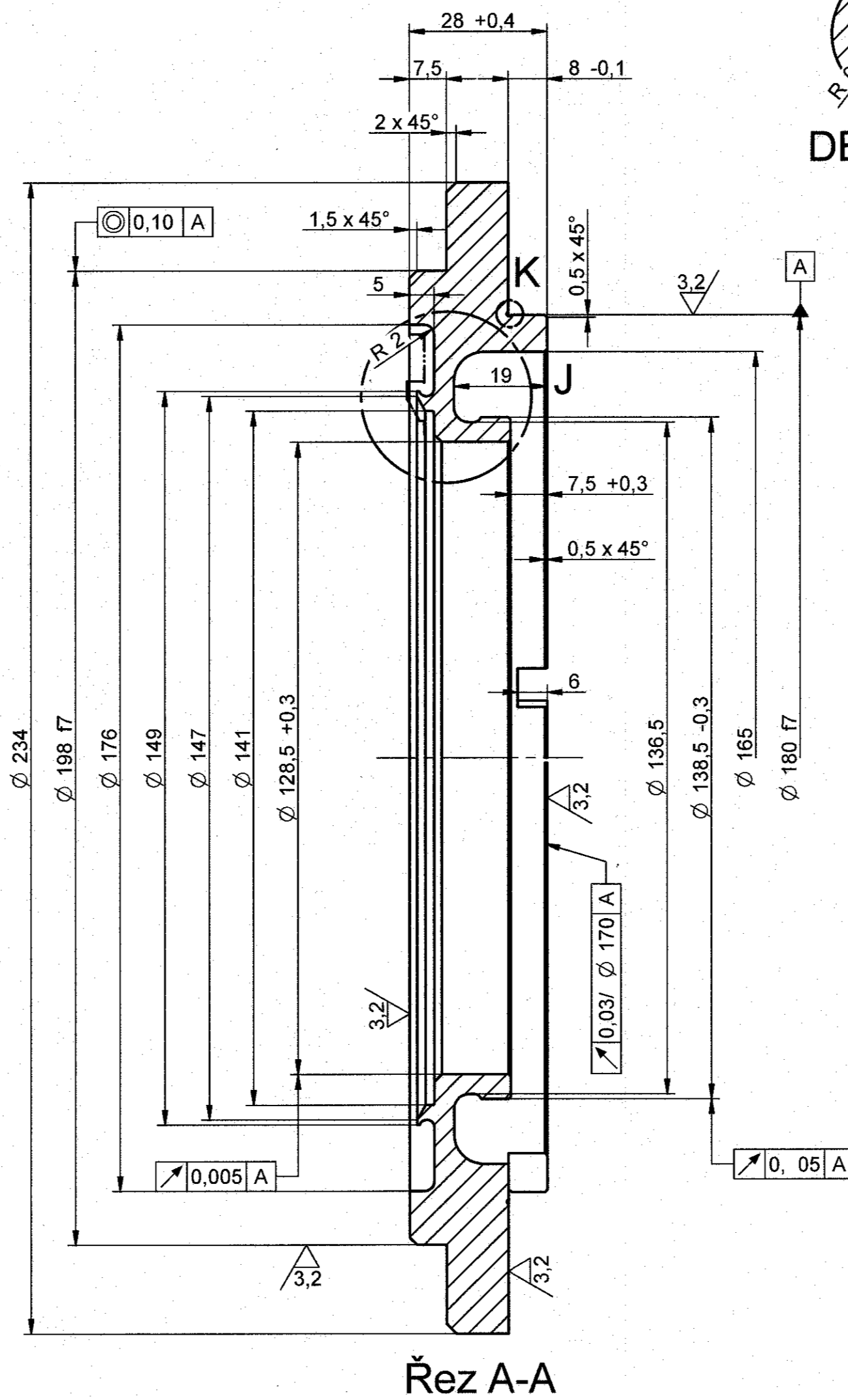


∅ 180 f7	-0.043 -0.083
∅ 198 f7	-0.050 -0.096
∅	
∅	

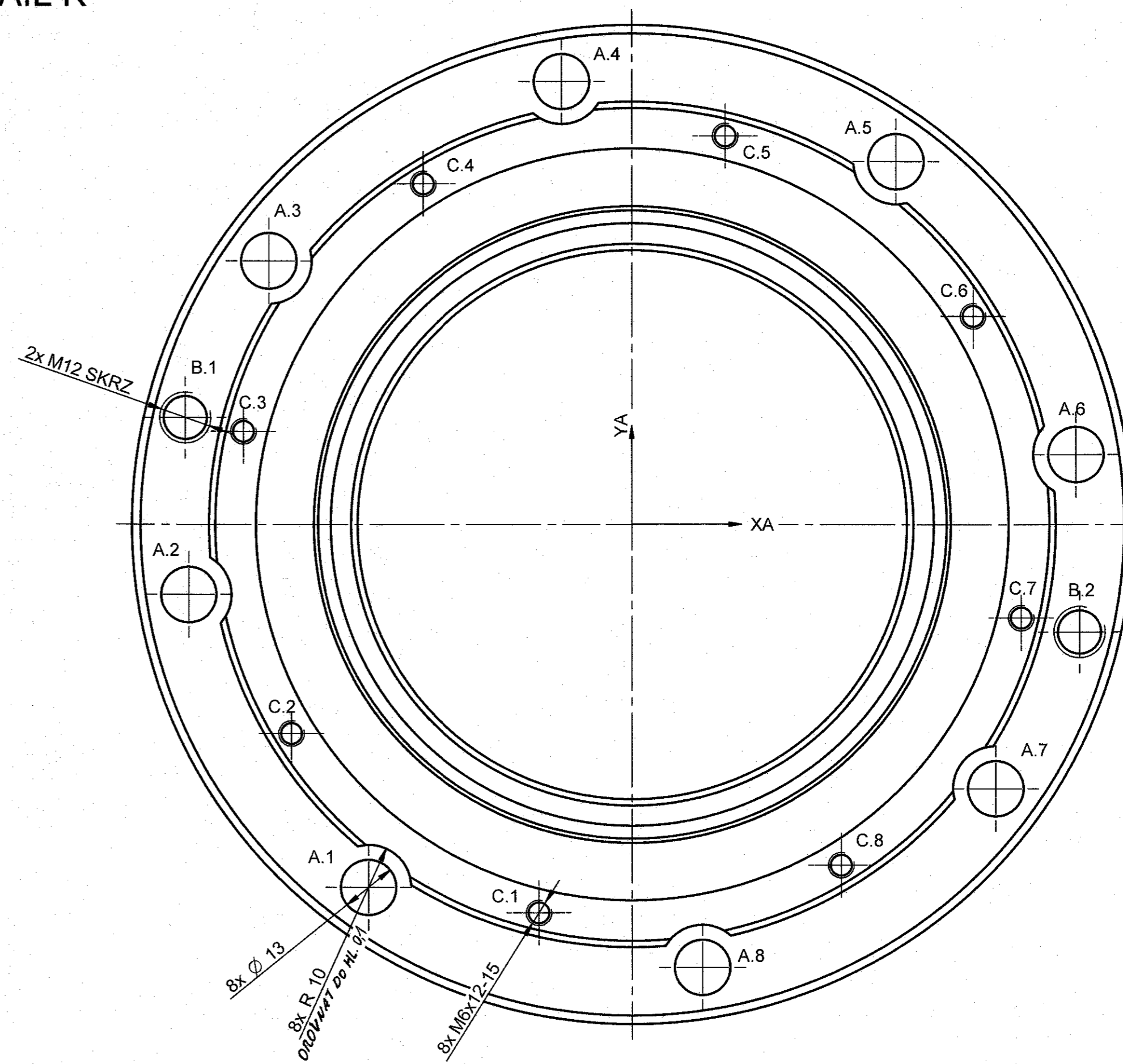
63/✓/✓



Řez C-C

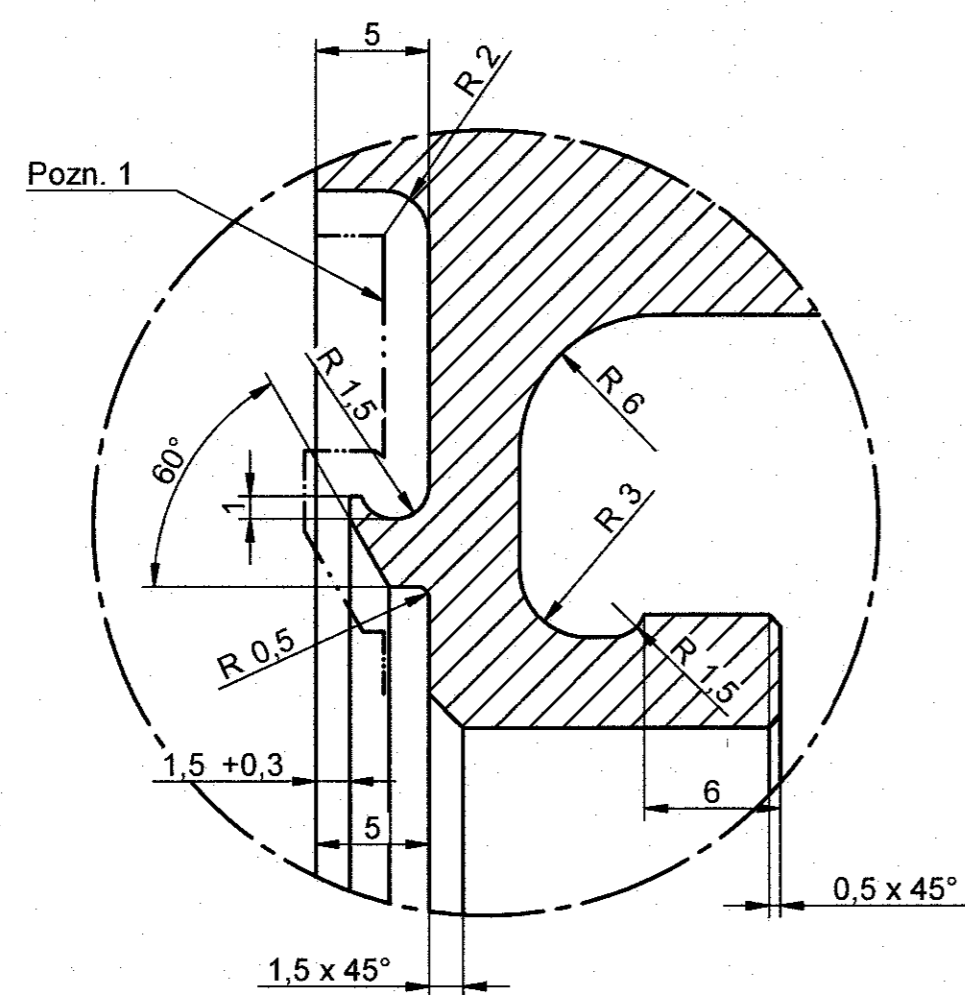


DETAIL K

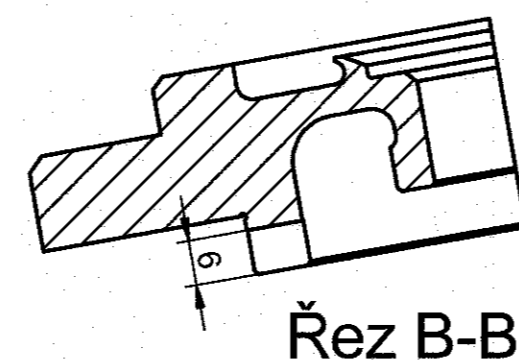


Tolerance souřadnicových kót ± 0.2

Hole	X	Y
A1	-61.72	-84.95
A2	-103.71	-16.43
A3	-84.95	61.72
A4	-16.43	103.71
A5	61.72	84.95
A6	103.71	16.43
A7	84.95	-61.72
A8	16.43	-103.71
B1	-104.53	25.1
B2	104.53	-25.1
C1	-21.83	-90.92
C2	-79.72	-48.85
C3	-90.92	21.83
C4	-48.85	79.72
C5	21.83	90.92
C6	79.72	48.85
C7	90.92	-21.83
C8	48.85	-79.72



DETAIL J  
3:1



Řez B-B

1. PLOCHY OZNAČENÉ ..... NATŘÍT-HODOPUR 2K PUR RAL 7021

ODLÍTEK TL 23L/118.33 HAVB. EV-635-500-7 10025574

Dimension: TR KR 244,5x70	Material: EN 10210-2	Weight: 2.8 kg	Ac no: -328039
Scale: 1:1	Designed by: VINTERA	Remarks: 08-102689	Group: VIGC
Checked by:	Confirmed by:	Approved by, date: 9.4.2013	

**WIKOU MGI**  
WIKOU MGI s.r.o.  
CZ 546 51 Hronov, Czech Republic  
www.wikou.com

**VÍKO PRAVÉ**  
08-103284 # A 1/1

Revision: 1  
Date: 9.4.2013  
Made by: [Signature]  
Index: [Signature]