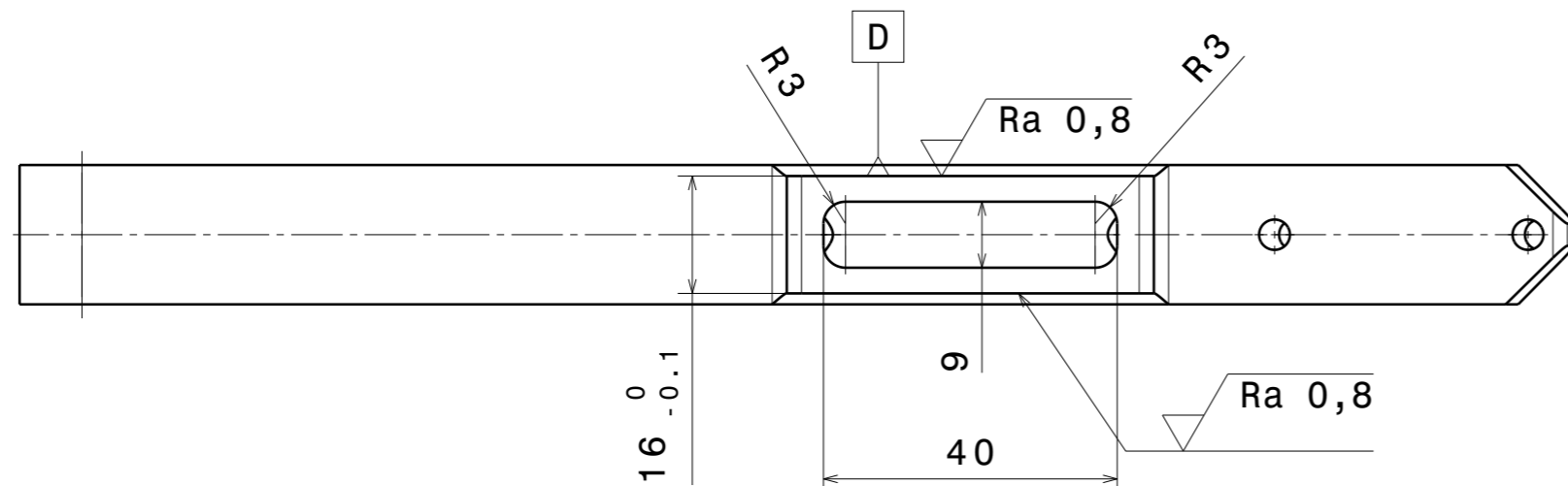
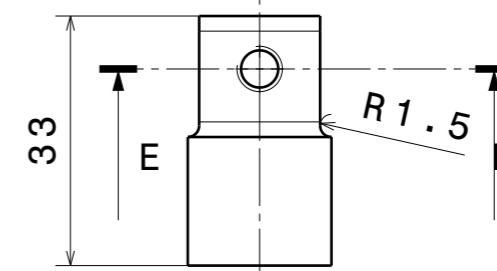
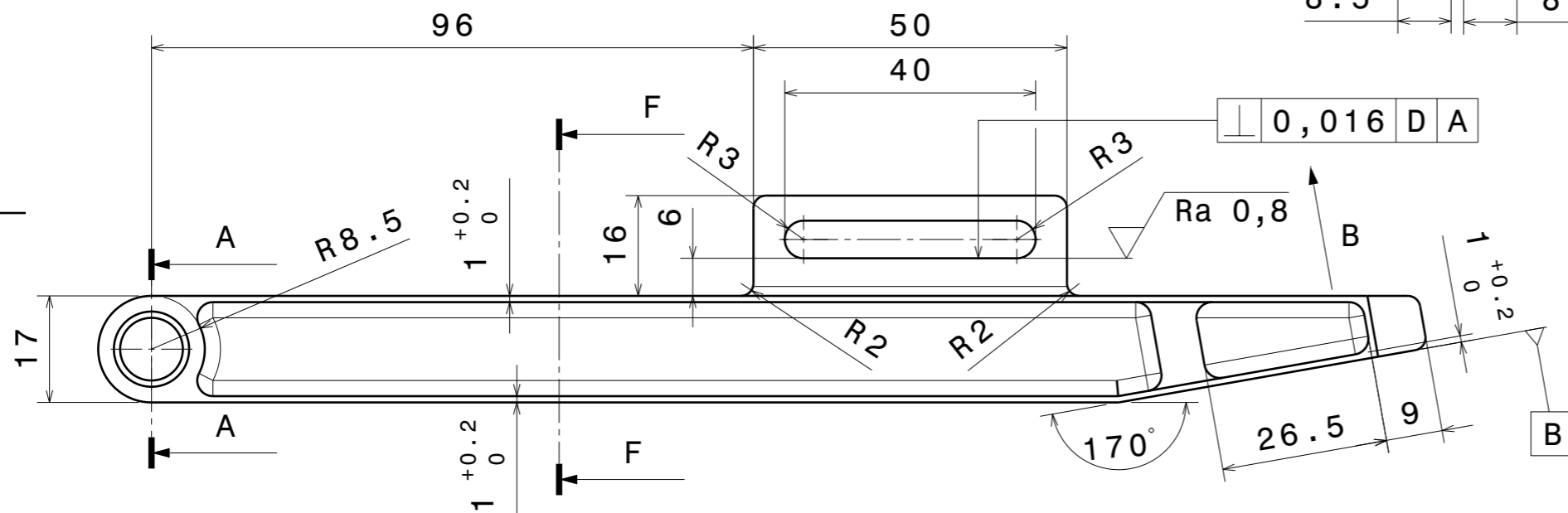
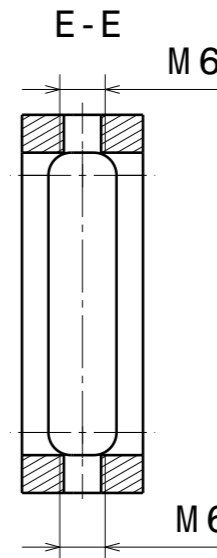
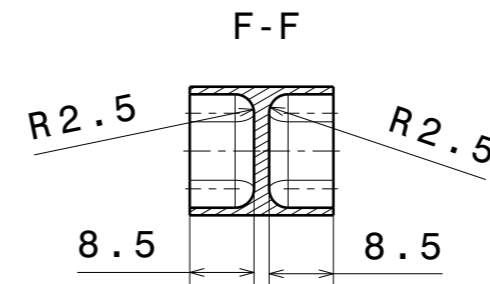
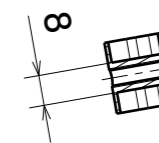
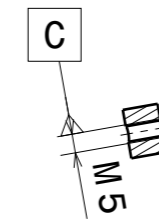
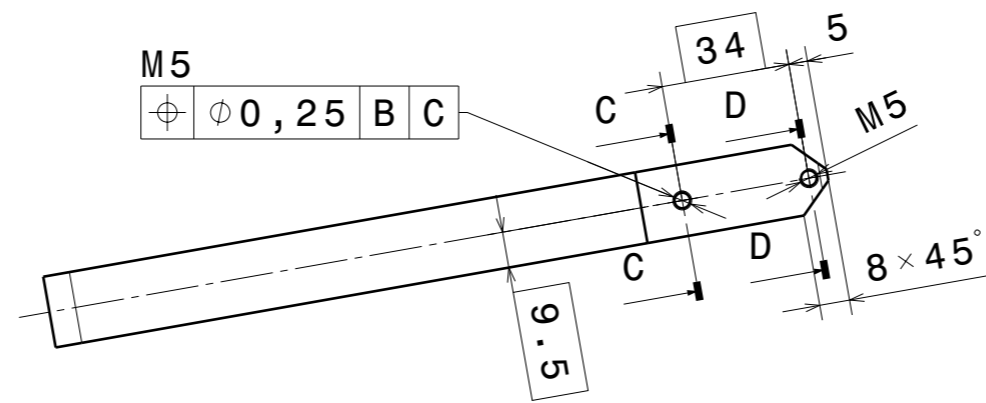
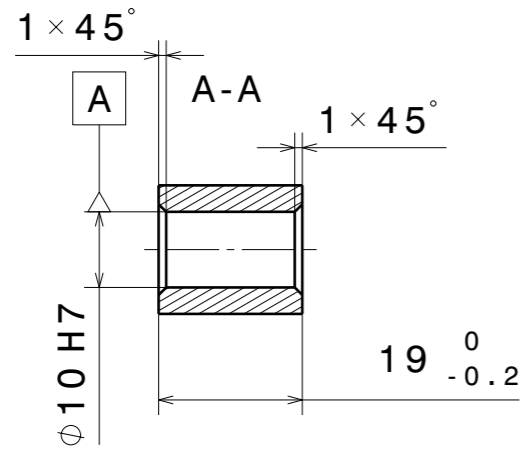


B 1:2

D-D (1:2)

C-C (1:2)



NEKÓTOVANÉ ROZMERY VIZ 3D MODEL

$Ra 3,2$ ($Ra 0,8$)

MATERIAL: EN AW 6082					
SEMI-PRODUCT 220x45x25					
PROJECTION: [ISO E]					
ACCURACY ISO 8015: IS08015					
TOLERATION ISO 2768 - mK		INDEX	ZMNA	DATUM	PODPIS
NAME:	DATE:	SIGNATURE:	DATE:	SCALE: 1:1	
DRAWN: Ondrej AuLich	6.2.2017	NORM. REF.:		WEIGHT: 0,069 kg	
CHECKED:		APPROVED:		ASSEMBLY: Pedal Box FS.09	BOM: BOM FS09

CZECH TECHNICAL UNIVERSITY IN PRAGUE



PRODUCT DESIGNATION:

THROTTLE PEDAL

PRODUCT NUMBER

FS.09-17-033-CH-00022-AA

LIST-1.IST

