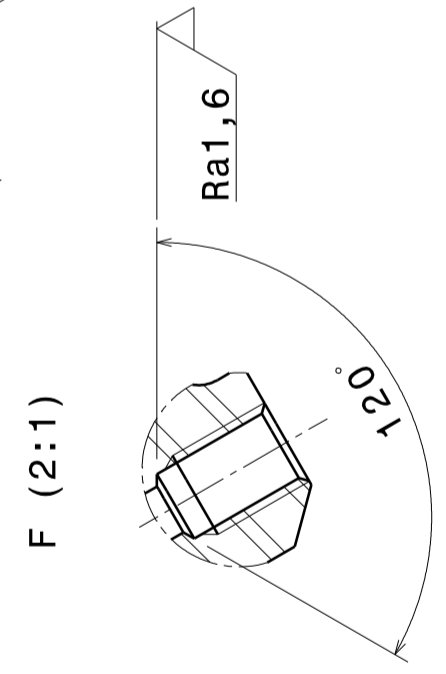
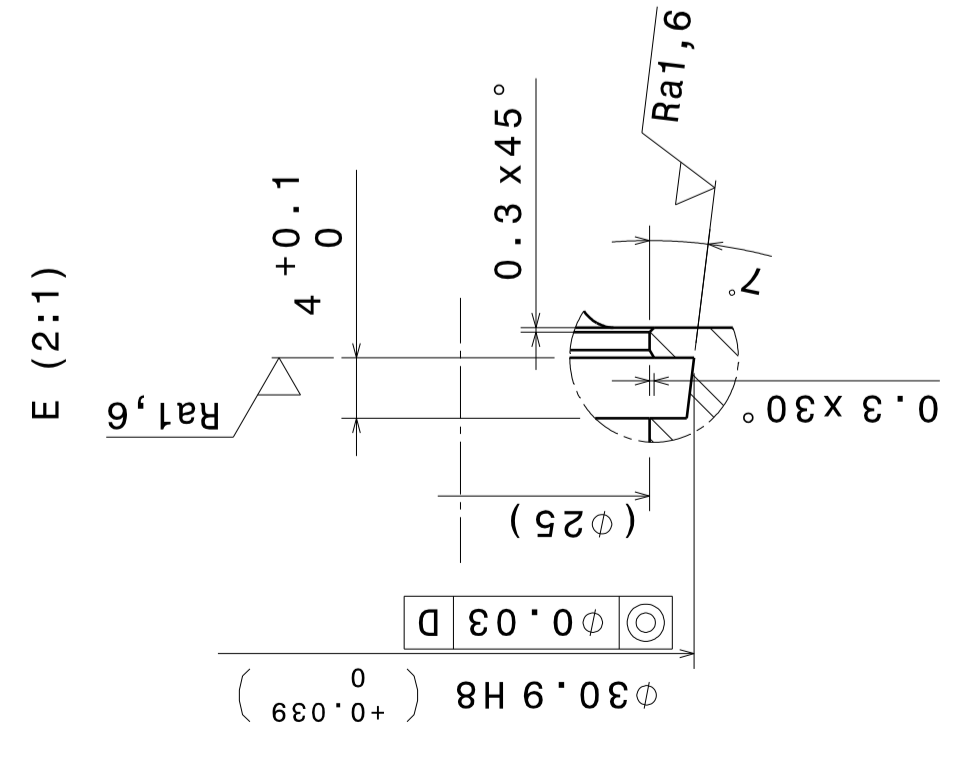


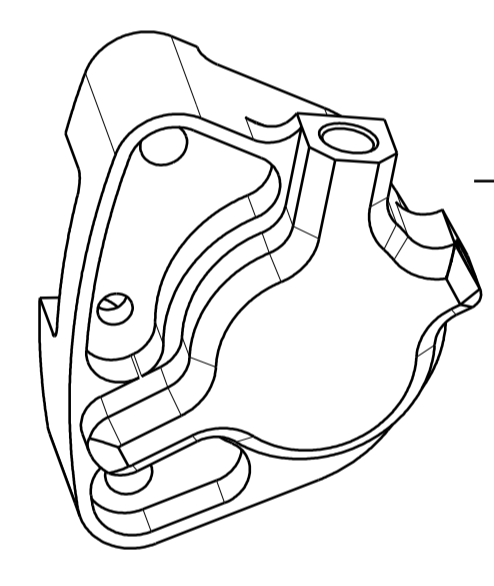
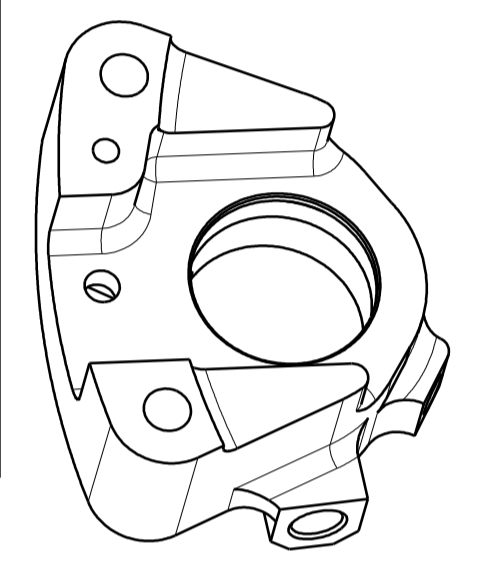
Vnější zkosení dle 3D modelu je nutno dodržet



Nekotované rozměry - 3D model  
Ra3,2 ( Ra1,6 )

Název	Počet kusů	Výkres
LEFT rear caliper inner	1	Brake_caliper_REAR_LEFT
RIGHT rear caliper inner	1	Brake_caliper_REAR_LEFT
LEFT rear caliper outer	1	Brake_caliper_REAR_RIGHT
RIGHT rear caliper outer	1	Brake_caliper_REAR_RIGHT

MATERIAL: EN AW 7075 T6	
SEM-PRODUCT	
PROJECTION: ISO E1	
ACCURACY ISO 8015: IS08015	
TOLERANCE ISO 2768 - mK	
DATE: 28.1.2017	INDEX: ZM NA
NAME: VLADIMÍR KVOLEK	SIGNATURE: [Signature]
CHECKED: [Signature]	DATE: [Date]
APPROVED: [Signature]	DATE: [Date]
ASSEMBLY: [Signature]	DATE: [Date]
WEIGHT: 0.080 kg	SCALE: 1:1 (2:1)
PROPS	DATE: [Date]



PRODUCT DESIGNATION:  
LEFT rear caliper outer  
PRODUCT NUMBER  
FS09-17-033-BR-00007-AA

