

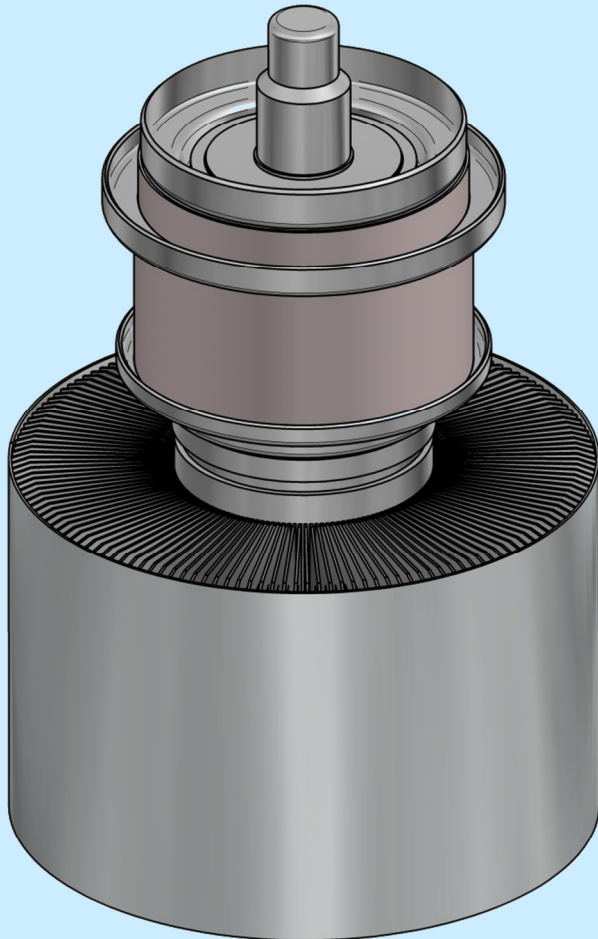
# RD35XM / RS3060CL

Air-cooled power triode

Output power: 120 kW



**TESLA**  
Electron**Tubes**



RD35XM is air-cooled triode, made by metal-ceramic technology. This electron tube is intended for industrial generators up to 100 MHz. Application – RF heating, welding or hardening.

Maximum plate dissipation can be 35 kW. Output power is 120 kW in CW mode.

For operation in pulse mode, the parameters depends on equipment characteristics. Contact us for specific information.

# RD35XM / RS3060CL

Air-cooled power triode  
Output power: 120 kW



## Technical specifications

Cathode	WTh	
Filament voltage	10	V
Filament current	190	A
Amplification factor	22	
Transconductance	50	mA/V
Capacitance		
• grid-anode	46	pF
• grid-cathode	95	pF
• cathode-anode	2.6	pF

## Maximum ratings

Frequency	30	MHz
Anode voltage		
• < 15 MHz	14	kV
• ≥ 15 MHz	10	kV
Grid voltage	-1500	V
Grid current	2.8	A
Grid dissipation	1.2	kW
Anode dissipation	35	kW
Peak cathode current	70	A

## Mechanical characteristics and cooling

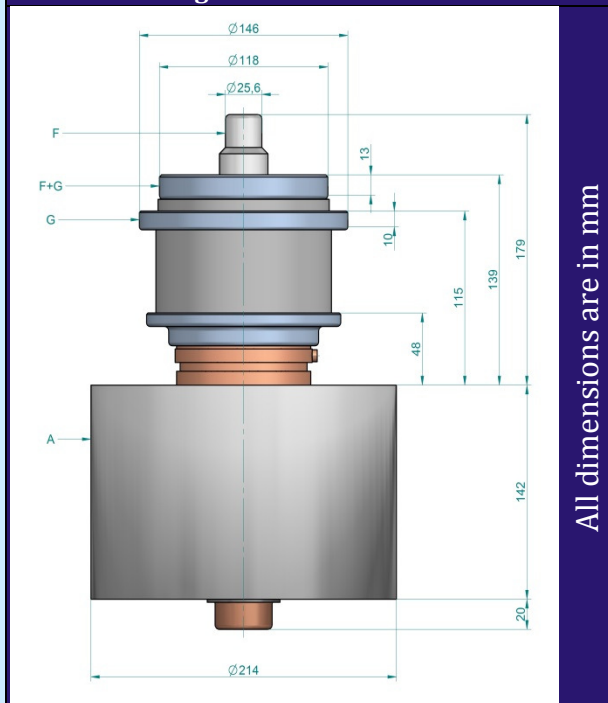
Anode cooling	air	
Air inlet temperature	25	°C
Temperature (any point of envelope)	220	°C
Air outlet temperature	75	°C
Air flow	35	m <sup>3</sup> /min
Mounting position	vertical	
Weight	18	kg

## Additional accessories\*

- Grid contact ring
- Filament contact rings
- Fuse

\*for detailed information please contact our sales department

## Outline drawing



## Constant current characteristics

