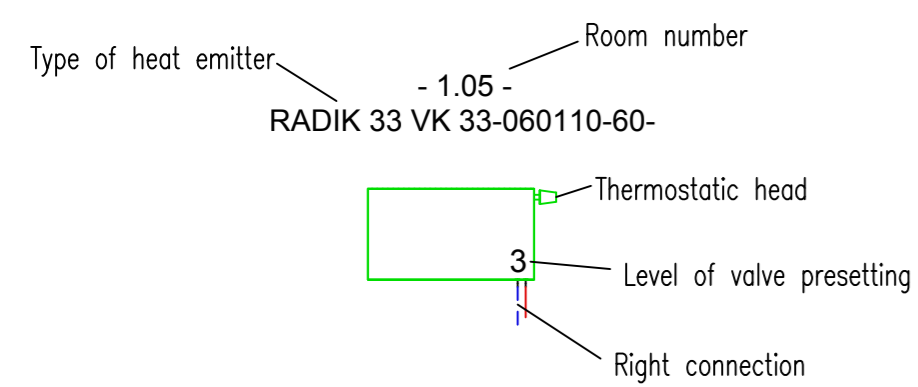


± 0,000 = 153 m.a.s.l.



Student Aneta Burešová	Bachelor thesis supervisor Ing. Daniel Adamovský, Ph.D.	Academic year 2015-2016	Faculty of civil engineering CTU
Bachelor project - Department of Microenvironmental and Building Services Engineering			
Name Heating system with renewable energy sources		Date 5/2016	
		Scale M 1:50	
		Number 3	
Attachment HEATING SYSTEM - SECTION			Consultant