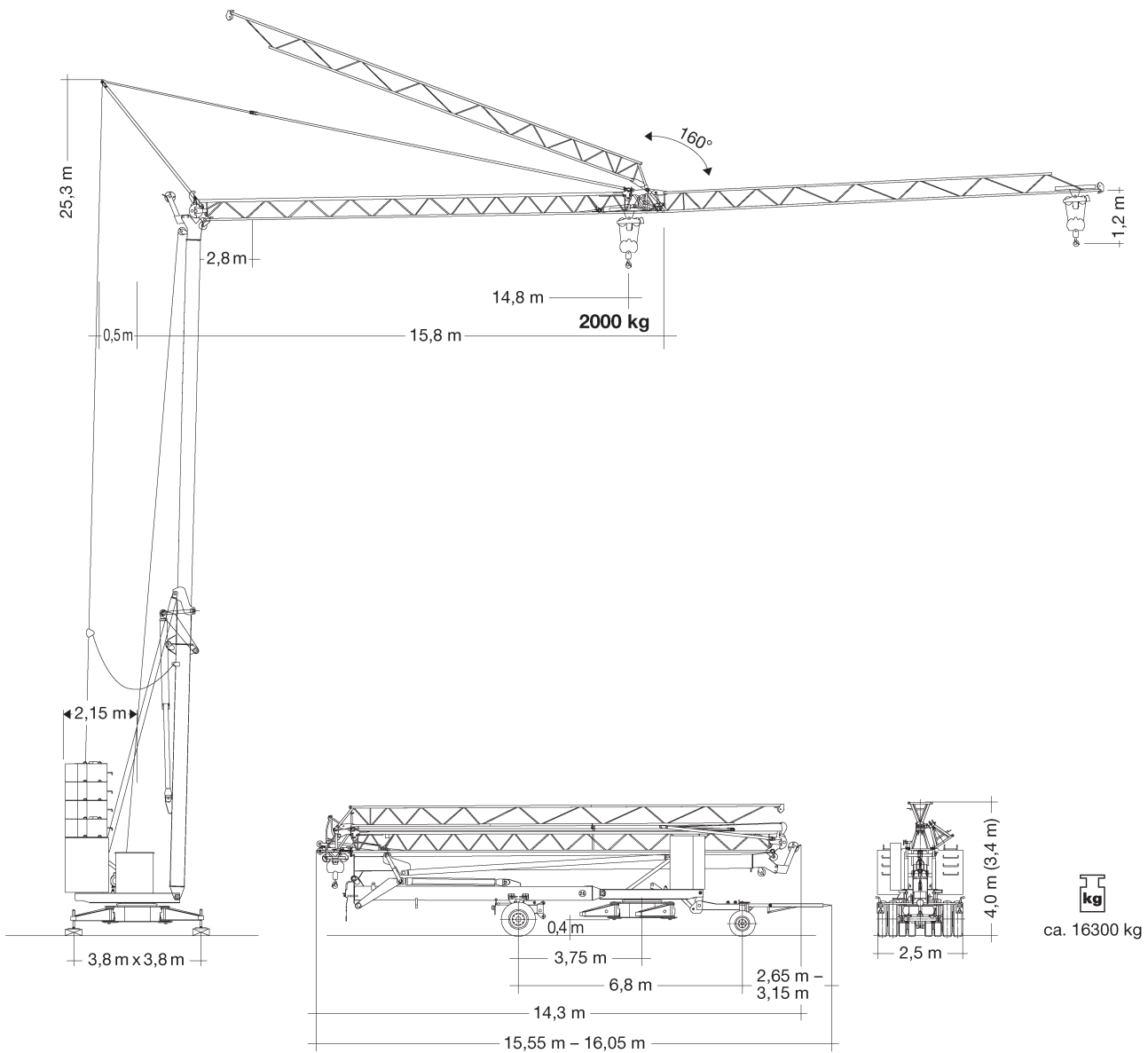


06/2009



ca. 16300 kg

Gewicht Weight / Poids / Peso / Peso / Pesos

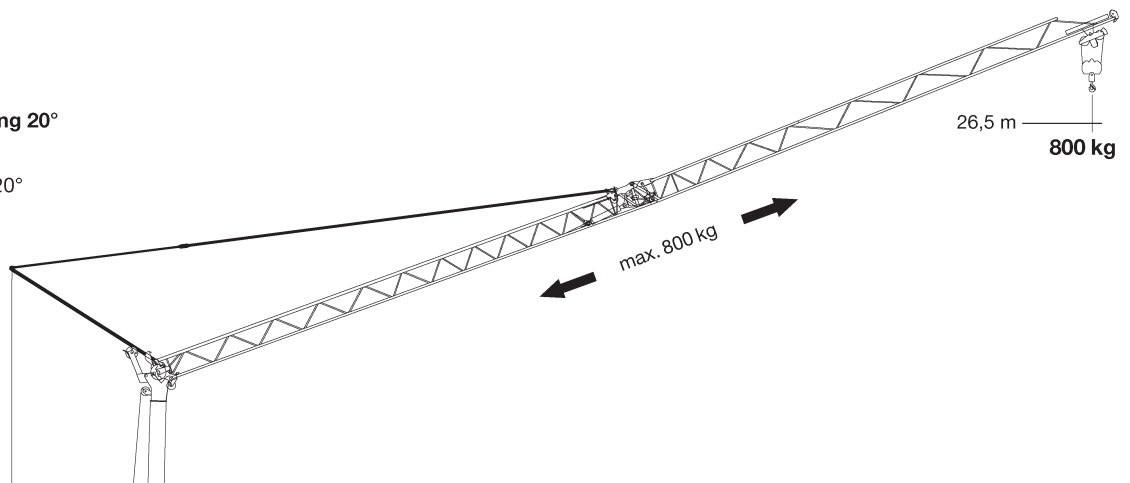
	4 x 2000 kg (4 x B)	12500 kg	r = 2,15 m		9800 kg
	1 x 4500 kg (1 x A)				

Ausladung und Tragfähigkeit

Radius and capacity / Portée et charge / Sbraccio e portata / Alcances y cargas / Alcance e capacidade de carga

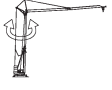
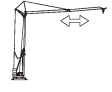

m	m / kg	m/kg																		
		10,0	11,0	12,0	13,0	14,0	15,0	16,0	17,0	18,0	19,0	20,0	21,0	22,0	23,0	24,0	25,0	26,0	27,0	28,0
28,0	2,8 - 13,4 2000	2000	2000	2000	2000	1890	1730	1600	1480	1380	1300	1220	1140	1080	1020	970	920	880	840	800
14,8	2,8 - 14,8 2000	2000																		

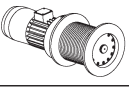
Auslegersteilstellung 20°
Elevated jib 20°
Flèche inclinée 20°
Braccio inclinato a 20°
Pluma inclinada 20°
Lança inclinada 20°





Antriebe

Driving units / Mécanismes d'entraînement / Azionamenti / Mecanismos / Mecanismos

	U/min 0 ↔ 0,8 sl./min tr./min	1,5 kW EDC
	18,0 / 36,0 m/min	1,1 / 1,8 kW
	ca. 160°/min.	4,0 kW

	Stufe / Step / Cran Marcia / Velocidad Velocidade	kg	m/min
7,5 kW KL	1	2000	5,0
	2	2000	20,0
	3	1000	40,0
11,0 kW FU	1	2000	4,0
	2	2000	20,0
	3	1300	38,0
	4	1000	50,0

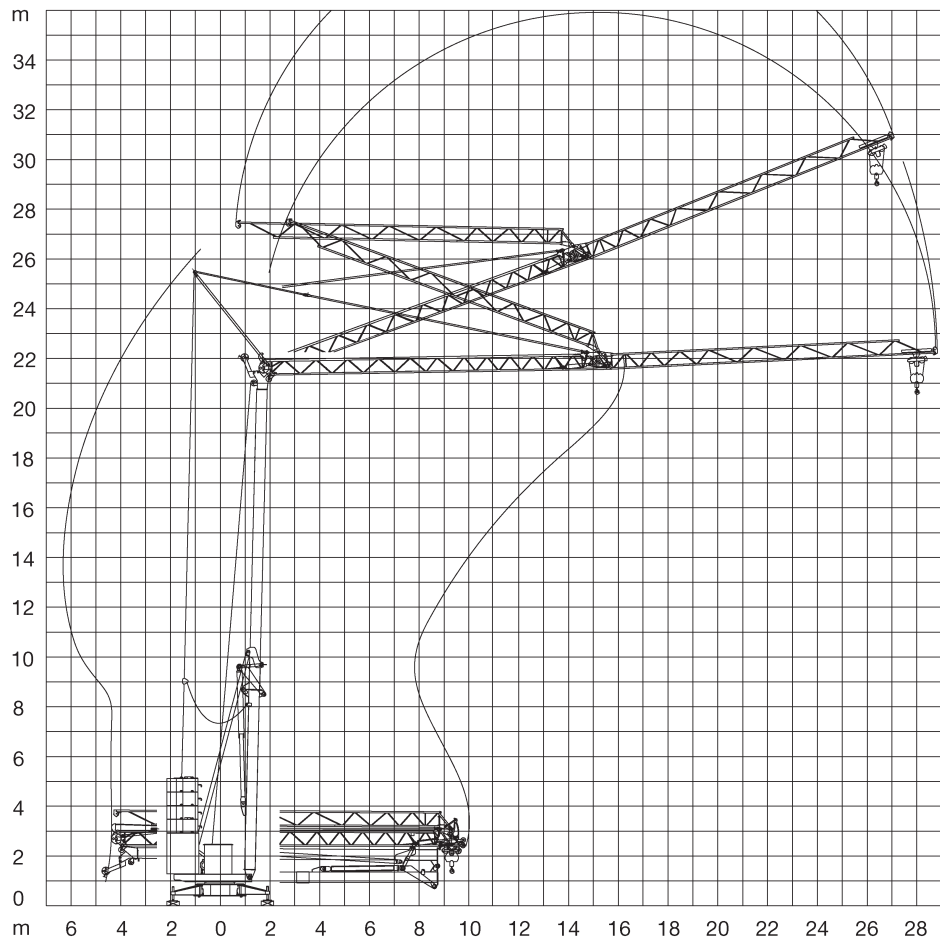
BGL		C.0.05.0022
------------	---	-------------

	400 V	Hz	kVA
78,0 m	4 x 6 mm ² KL	50	14,0 KL
93,0 m	4 x 6 mm ² FU		16,0 FU

06/2009

Aufstellvorgang

Erection procedure / Déroulement de montage
 Procedimento di montaggio / Procedimiento de montaje / Sistema de montagem



Kolli-Liste

Packing List / Liste de colisage / Lista dei colli / Lista de contenido / Lista de embalagem

Pos. Item	Anz. Qty.				L (m)	B (m)	H (m)	kg
1	1	Transportachse vorne, H-Adapter	Tra 100 KY 2		4,30	1,25	1,31	750
		Road transport axle front, H adapter	Tra 100 KY 6					
1	1	Transportachse hinten, H-Adapter	Tra 120 GY 1		1,60	2,50	1,20	1000
		Road transport axle behind, H adapter	und/and/et e/y/y GY 1 A					
3	1	Transportachse vorne m. Zwischenadapter	Tra 100 KY 2		4,30	1,25	1,31	950
		Road transport axle front w. adapter	Tra 100 KY 6					
4	1	Transportachse hinten m. Zwischenadapter	Tra 120 GY 1		1,75	2,50	1,25	1200
		Road transport axle behind w. adapter	und/and/et e/y/y GY 1 A					

Konstruktionsänderungen vorbehalten!
 Subject to alterations! / Sous réserves de modifications!
 Si fa riserva di modifiche! / ¡Sujeto a modificaciones!
 Salvo modificação da construoção!

Sämtliche Angaben erfolgen ohne Gewähr. / This information is supplied without liability.
 Ces renseignements sont sans garantie. / Le indicazioni contenute si intendono salvo errori ed omissioni.
 Declinamos toda responsabilidad derivada de la información proporcionada.
 Declinamos qualquer responsabilidade quanto à informação fornecida.