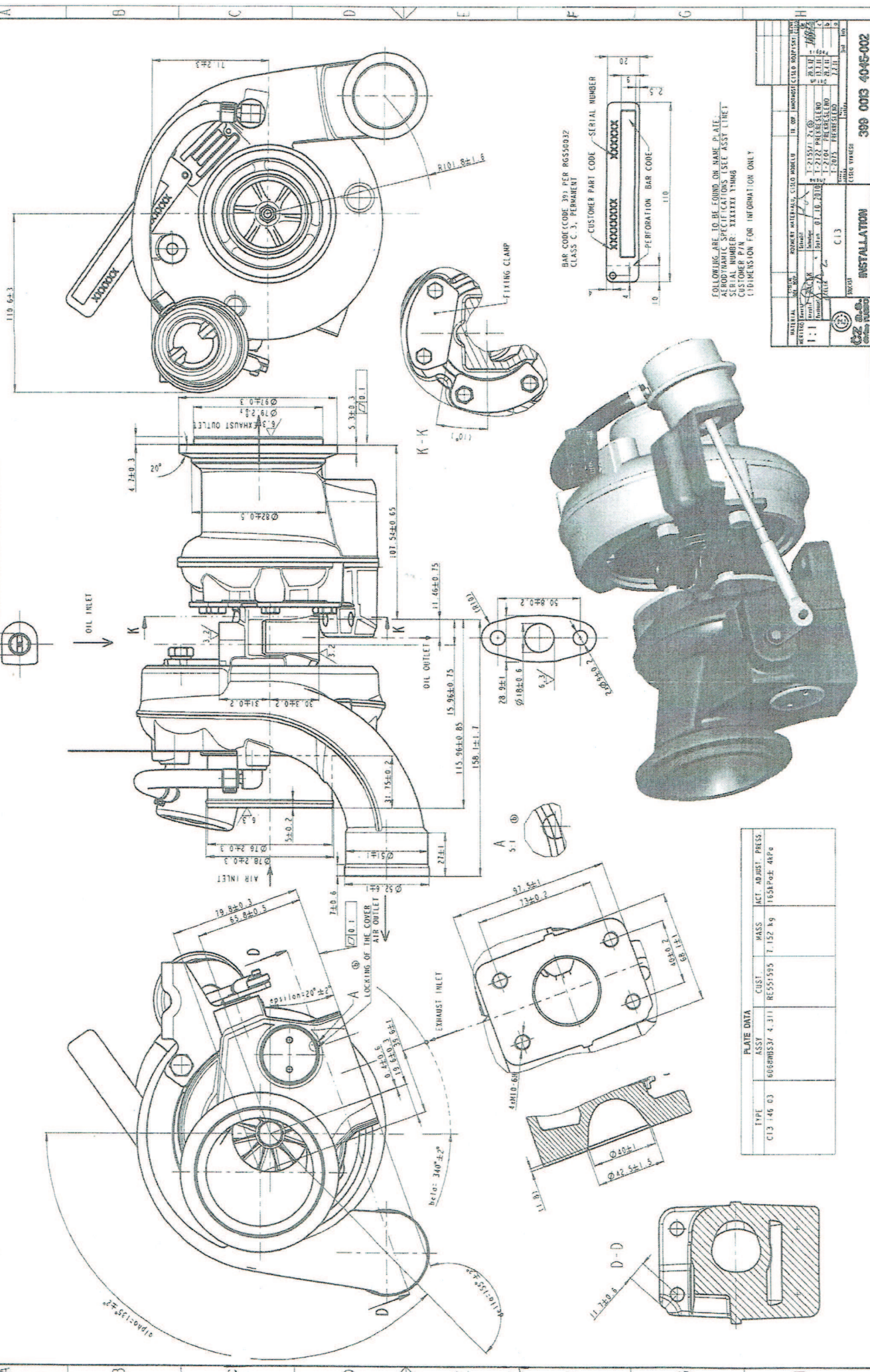
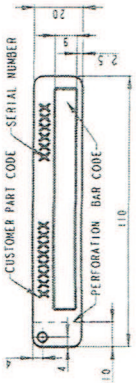


M24x5
THREAD DEPTH min. 1.8 HOLE DEPTH max. 1.8



BAR CODE CODE 301 PER R6550032
CLASS C 3, PERMANENT



FOLLOWING ARE TO BE FOUND ON NAME PLATE:
ASSEMBLY SPECIFICATIONS (SEE ASSY LABEL)
CUSTOMER NUMBER: XXXXXX THING
CUSTOMER P/N
DIMENSION FOR INFORMATION ONLY

PLATE DATA			
TYPE	ASST	CUST.	MASS
C13 146 03	608R00537	4-311	RE551595 T 152 kg 165H-Pol: 48Pa

MATERIAL		ROBENT MATERIALS, C130 MODEL		IT OF DIMENSION CLASSIFICATION	
Symbol	Material	Symbol	Material	Symbol	Material
1-1	Aluminum	1-1	Aluminum	1-1	Aluminum
1-2	Steel	1-2	Steel	1-2	Steel
1-3	Steel	1-3	Steel	1-3	Steel
1-4	Steel	1-4	Steel	1-4	Steel
1-5	Steel	1-5	Steel	1-5	Steel
1-6	Steel	1-6	Steel	1-6	Steel
1-7	Steel	1-7	Steel	1-7	Steel
1-8	Steel	1-8	Steel	1-8	Steel
1-9	Steel	1-9	Steel	1-9	Steel
1-10	Steel	1-10	Steel	1-10	Steel
1-11	Steel	1-11	Steel	1-11	Steel
1-12	Steel	1-12	Steel	1-12	Steel
1-13	Steel	1-13	Steel	1-13	Steel
1-14	Steel	1-14	Steel	1-14	Steel
1-15	Steel	1-15	Steel	1-15	Steel
1-16	Steel	1-16	Steel	1-16	Steel
1-17	Steel	1-17	Steel	1-17	Steel
1-18	Steel	1-18	Steel	1-18	Steel
1-19	Steel	1-19	Steel	1-19	Steel
1-20	Steel	1-20	Steel	1-20	Steel
1-21	Steel	1-21	Steel	1-21	Steel
1-22	Steel	1-22	Steel	1-22	Steel
1-23	Steel	1-23	Steel	1-23	Steel
1-24	Steel	1-24	Steel	1-24	Steel
1-25	Steel	1-25	Steel	1-25	Steel
1-26	Steel	1-26	Steel	1-26	Steel
1-27	Steel	1-27	Steel	1-27	Steel
1-28	Steel	1-28	Steel	1-28	Steel
1-29	Steel	1-29	Steel	1-29	Steel
1-30	Steel	1-30	Steel	1-30	Steel
1-31	Steel	1-31	Steel	1-31	Steel
1-32	Steel	1-32	Steel	1-32	Steel
1-33	Steel	1-33	Steel	1-33	Steel
1-34	Steel	1-34	Steel	1-34	Steel
1-35	Steel	1-35	Steel	1-35	Steel
1-36	Steel	1-36	Steel	1-36	Steel
1-37	Steel	1-37	Steel	1-37	Steel
1-38	Steel	1-38	Steel	1-38	Steel
1-39	Steel	1-39	Steel	1-39	Steel
1-40	Steel	1-40	Steel	1-40	Steel
1-41	Steel	1-41	Steel	1-41	Steel
1-42	Steel	1-42	Steel	1-42	Steel
1-43	Steel	1-43	Steel	1-43	Steel
1-44	Steel	1-44	Steel	1-44	Steel
1-45	Steel	1-45	Steel	1-45	Steel
1-46	Steel	1-46	Steel	1-46	Steel
1-47	Steel	1-47	Steel	1-47	Steel
1-48	Steel	1-48	Steel	1-48	Steel
1-49	Steel	1-49	Steel	1-49	Steel
1-50	Steel	1-50	Steel	1-50	Steel
1-51	Steel	1-51	Steel	1-51	Steel
1-52	Steel	1-52	Steel	1-52	Steel
1-53	Steel	1-53	Steel	1-53	Steel
1-54	Steel	1-54	Steel	1-54	Steel
1-55	Steel	1-55	Steel	1-55	Steel
1-56	Steel	1-56	Steel	1-56	Steel
1-57	Steel	1-57	Steel	1-57	Steel
1-58	Steel	1-58	Steel	1-58	Steel
1-59	Steel	1-59	Steel	1-59	Steel
1-60	Steel	1-60	Steel	1-60	Steel
1-61	Steel	1-61	Steel	1-61	Steel
1-62	Steel	1-62	Steel	1-62	Steel
1-63	Steel	1-63	Steel	1-63	Steel
1-64	Steel	1-64	Steel	1-64	Steel
1-65	Steel	1-65	Steel	1-65	Steel
1-66	Steel	1-66	Steel	1-66	Steel
1-67	Steel	1-67	Steel	1-67	Steel
1-68	Steel	1-68	Steel	1-68	Steel
1-69	Steel	1-69	Steel	1-69	Steel
1-70	Steel	1-70	Steel	1-70	Steel
1-71	Steel	1-71	Steel	1-71	Steel
1-72	Steel	1-72	Steel	1-72	Steel
1-73	Steel	1-73	Steel	1-73	Steel
1-74	Steel	1-74	Steel	1-74	Steel
1-75	Steel	1-75	Steel	1-75	Steel
1-76	Steel	1-76	Steel	1-76	Steel
1-77	Steel	1-77	Steel	1-77	Steel
1-78	Steel	1-78	Steel	1-78	Steel
1-79	Steel	1-79	Steel	1-79	Steel
1-80	Steel	1-80	Steel	1-80	Steel
1-81	Steel	1-81	Steel	1-81	Steel
1-82	Steel	1-82	Steel	1-82	Steel
1-83	Steel	1-83	Steel	1-83	Steel
1-84	Steel	1-84	Steel	1-84	Steel
1-85	Steel	1-85	Steel	1-85	Steel
1-86	Steel	1-86	Steel	1-86	Steel
1-87	Steel	1-87	Steel	1-87	Steel
1-88	Steel	1-88	Steel	1-88	Steel
1-89	Steel	1-89	Steel	1-89	Steel
1-90	Steel	1-90	Steel	1-90	Steel
1-91	Steel	1-91	Steel	1-91	Steel
1-92	Steel	1-92	Steel	1-92	Steel
1-93	Steel	1-93	Steel	1-93	Steel
1-94	Steel	1-94	Steel	1-94	Steel
1-95	Steel	1-95	Steel	1-95	Steel
1-96	Steel	1-96	Steel	1-96	Steel
1-97	Steel	1-97	Steel	1-97	Steel
1-98	Steel	1-98	Steel	1-98	Steel
1-99	Steel	1-99	Steel	1-99	Steel
1-100	Steel	1-100	Steel	1-100	Steel

399 0013 4045-002
INSTALLATION

NÁVRH NOVÉHO STAVU MONTÁŽE
 BUD. LXXII - div. TURBO
 M 1:100

LEGENDA:

- PŘEMÍSTĚNÉ STROJE A ZAŘÍZENÍ
- NOVÉ STROJE A ZAŘÍZENÍ
- KONTEJNERY A STOJANY NA ODPAD
- JÍDELNÍ PROSTORY
- CESTY
- TOK VÝROBY LS
- TOK VÝROBY TS
- TOK VÝROBY LS+DS
- TOK VÝROBY DS
- TOK VÝROBY CPLT, TURBODMYCHADLA
- INTERNÍ ČÍSLO STROJE
- ZNAČKY
- - OBSÁVANÍ
- - SÍLACENÝ VZDUCH
- ⚡ - EL. PROUD
- ☠ - POŽÁRNÍ HYDRANT

