

1

2

3

4

5

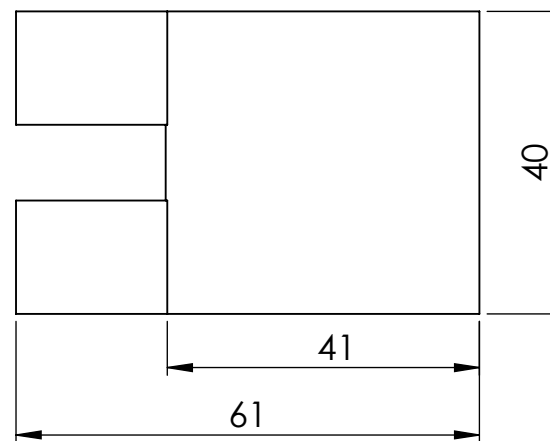
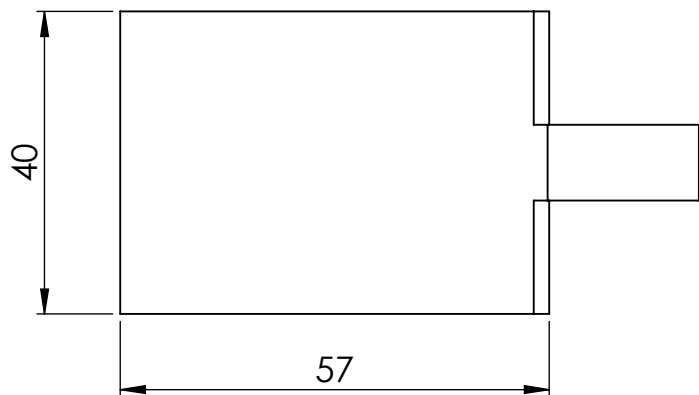
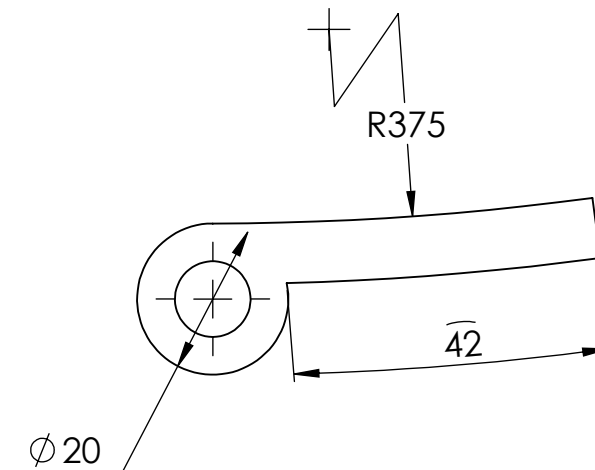
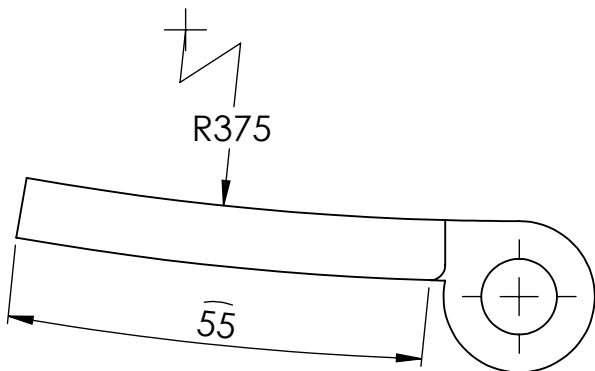
6

A

B

C

D



EH-6A-5V5-50  
 HINGE TAKEN FROM SOUTHCO CATALOGUE  
 BEND TO GIVEN DIMENSIONS

THESIS PROJECT  
 7.5@ COFFEE DRYER  
 HINGE



THE INFORMATION CONTAINED IN THIS DRAWING IS THE SOLE PROPERTY OF THE DRAWER. ANY REPRODUCTION WITHOUT THE WRITTEN PERMISSION IS PROHIBITED.

BLUEPRINT NUMBER. 006		REVIEWED BY: ING. JAN SKOCILAS, Ph. D.	TOLERANCES NOT INDICATED ANGULAR: ±0.5 LINEAR: ±0.5	SHEET FORMAT A4
DATE: 06-Apr-19	ASSEMBLY BLUEPRINT TH-CF-AS-060419	DRAWN BY: EDUARDO DUQUE	SHEET 1 OF 1	 DIMENSIONS IN mm
		SCALE: 1:1		