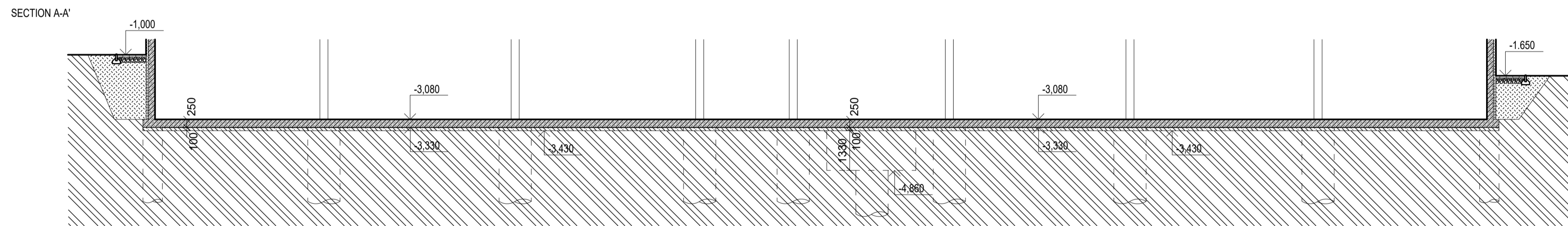


LEGEND OF PILES:

table of specifications				
No.	Diameter ϕ [m]	Total length [m]	U.S.	B.S.
P01	0,6	8	-3,330	-11,330
P02	0,6	8	-3,330	-11,330
P03	0,6	8	-3,330	-11,330
P04	0,6	8	-3,330	-11,330
P05	0,6	8	-3,330	-11,330
P06	1	8	-3,330	-11,330
P07	1	8	-3,330	-11,330
P08	1	8	-3,330	-11,330
P09	1	8	-3,330	-11,330
P10	0,6	8	-3,330	-11,330
P11	1	8	-3,330	-11,330
P12	1	8	-3,330	-11,330
P13	1	8	-3,330	-11,330
P14	1	8	-3,330	-11,330
P15	0,6	8	-3,330	-11,330
P16	0,6	8	-3,330	-11,330
P17	0,6	8	-3,330	-11,330
P18	1	8	-3,330	-11,330
P19	0,6	8	-3,330	-11,330
P20	0,6	8	-3,330	-11,330
P21	0,6	8	-3,330	-11,330
P22	0,6	8	-3,330	-11,330
P23	0,6	8	-3,330	-11,330
P24	1	8	-4,760	-12,760
P25	1	8	-3,330	-11,330
P26	0,6	8	-3,330	-11,330
P27	0,6	8	-3,330	-11,330
P28	0,6	8	-3,330	-11,330
P29	0,6	8	-3,330	-11,330
P30	1	8	-3,330	-11,330
P31	0,6	8	-3,330	-11,330
P32	1	8	-3,330	-11,330
P33	1	8	-3,330	-11,330
P34	1	8	-3,330	-11,330
P35	1	8	-3,330	-11,330
P36	0,6	8	-3,330	-11,330
P37	1	8	-3,330	-11,330
P38	1	8	-3,330	-11,330
P39	1	8	-3,330	-11,330
P40	1	8	-3,330	-11,330
P41	0,6	8	-3,330	-11,330
P42	0,6	8	-3,330	-11,330
P43	0,6	8	-3,330	-11,330
P44	0,6	8	-3,330	-11,330
P45	0,6	8	-3,330	-11,330
P46	0,6	8	-3,330	-11,330
P47	0,6	8	-3,330	-11,330

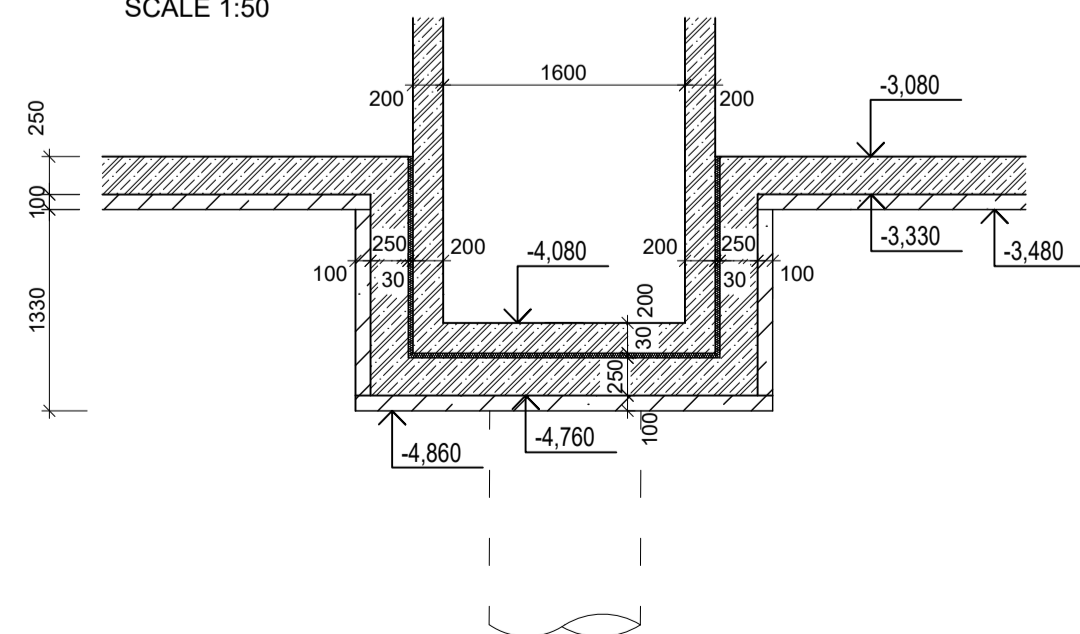
LEGEND OF MATERIALS:

- REINFORCED CONCRETE C30/37 IC1-IC2-0m23-53
- INTERNAL INSULATION EPS 80mm
- SUBSOIL
- BACKFILL
- GRAVEL



SECTION 1 - 1' ELEVATOR SHAFT

SCALE 1:50



±0,000 = 285,650 m a.s.l.

designed by Akbotla Baibatryova	supervisor Ing. Malila Noori, Ph.D.	FACULTY OF CIVIL ENGINEERING	
course 124BPRO - BACHELOR PROJECT			
subject RESIDENTIAL BUILDING IN PRAGUE	date 05.2021		
drawing DEEP FOUNDATION - PILES	size A2 scale 1:100 No ?		

