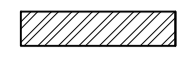
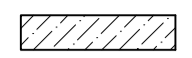
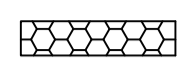


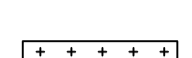

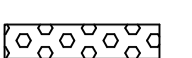

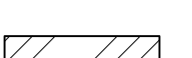






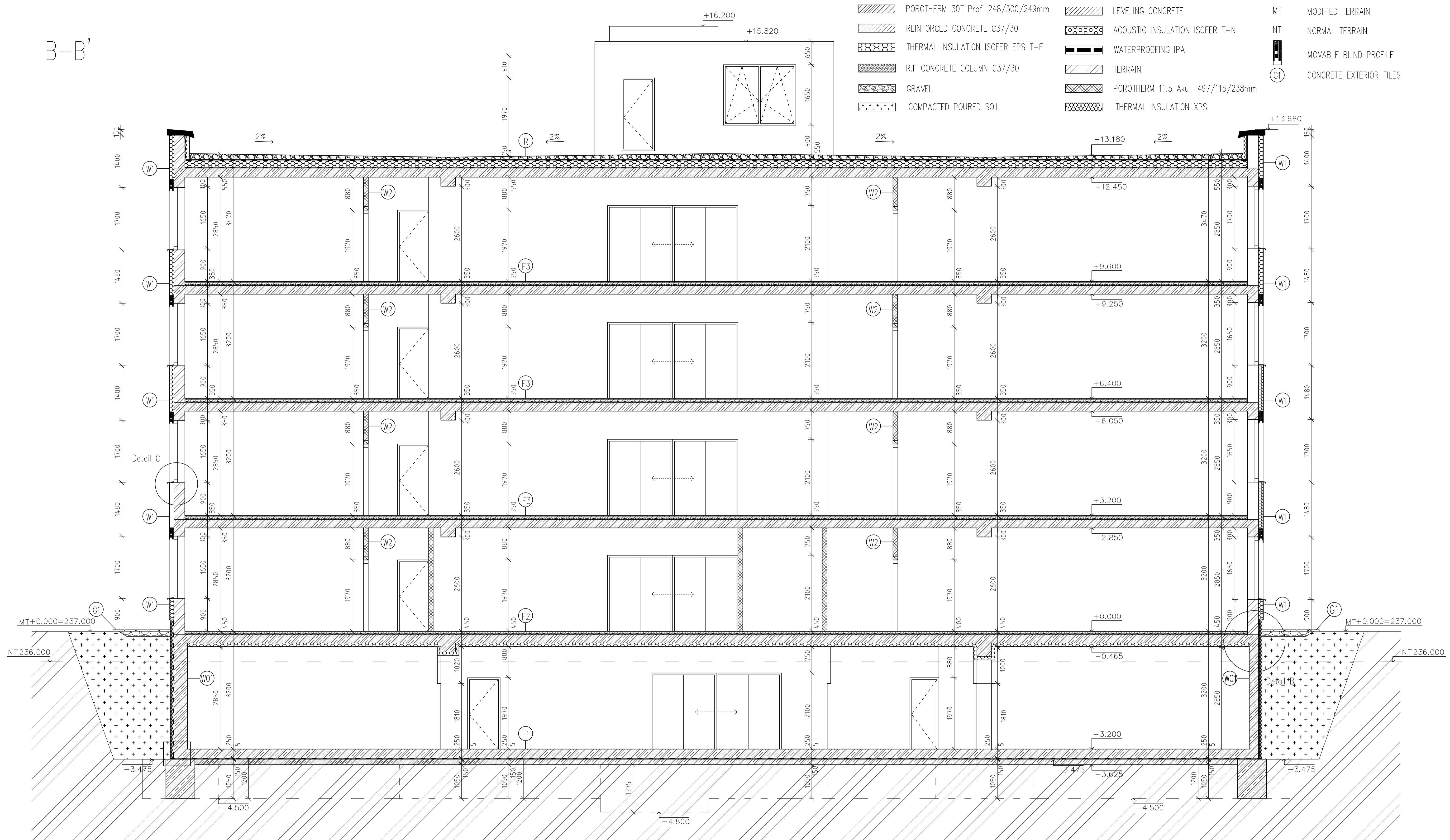


B-B'

LEGEND OF MATERIALS :

-  POROTHERM 30T Profi 248/300/249mm
-  REINFORCED CONCRETE C37/30
-  THERMAL INSULATION ISOVER EPS T-F
-  R.F. CONCRETE COLUMN C37/30
-  GRAVEL
-  COMPACTED POURED SOIL
-  LEVELING CONCRETE
-  ACOUSTIC INSULATION ISOVER T-N
-  WATERPROOFING IPA
-  TERRAIN
-  POROTHERM 11.5 Aku 497/115/238mm
-  THERMAL INSULATION XPS
-  MT MODIFIED TERRAIN
-  NT NORMAL TERRAIN
-  MOVABLE BLIND PROFILE
-  CONCRETE EXTERIOR TILES



UNDERGROUND LEVEL FLOOR F1	t [mm]	TYPICAL FLOORS F3	t [mm]	STAIRS LANDING F5	t [mm]	PARTITION WALL W1	t [mm]	PERIMETER WALL W1	t [mm]
<ul style="list-style-type: none"> - FINISH OF FLOORING - REINFORCED CONCRETE SLAB - WATER PROOFING IPA - RF CONCRETE - SOIL $U=0.30 \text{ W/m}^2\text{K}$	20 250 5 150	<ul style="list-style-type: none"> - TILES - GLUE - CONCRETE LEVELING LAYER - SEPARATION PE FOIL - ACOUSTIC INSULATION ISOVER T-N - CEMENT GLUE - REINFORCED CONCRETE SLAB - PLASTER $R_w=54 \text{ dB}, L_w=58 \text{ dB}$	9 5 50 1 50 10 230 10	<ul style="list-style-type: none"> - ANTI SLIP TILES - GLUE - LEVELING CONCRETE - PE FOIL - ACOUSTIC INSULATION - RF CONCRETE SLAB - PLASTER 	9 5 30 0.2 40 230 10	<ul style="list-style-type: none"> - INNER PLASTER POROTHERM UNIVERSAL - GLUE - INNER PLASTER POROTHERM UNIVERSAL $U=0.30 \text{ W/m}^2\text{K}, R_w=45 \text{ dB}$	10 115 10	<ul style="list-style-type: none"> - INNER PLASTER POROTHERM UNIVERSAL - MASONRY POROTHERM P30 profi - GLUE CEMIX 132 - THERMAL INSULATION T-F THERMO - OUTER PLASTER POROTHERM UNIVERSAL $U=0.161 \text{ W/m}^2\text{K}$	10 300 10 160 10
<ul style="list-style-type: none"> - Tiles - Glue layer BASF - CONCRETE LEVELING LAYER - SEPARATION PE FOIL - ACOUSTIC INSULATION ISOVER T-N - REINFORCED CONCRETE SLAB - CEMENT GLUE - THERMAL INSULATION ISOVER NF - PLASTER $U=0.24 \text{ W/m}^2\text{K}, R_w=54 \text{ dB}, L_w=58 \text{ dB}$	9 5 50 1 50 230 10 100 10	<ul style="list-style-type: none"> - GRAVEL - WATERPROOFING PVC MEMBRANE - THERMAL INSULATION ISOVER GREY100 - THERMAL INSULATION ISOVER GREY100 - VAPOUR BARRIER ALUMINUM FOIL - REINFORCED CONCRETE SLAB - PLASTER $U=0.172 \text{ W/m}^2\text{K}$	50 2 100 80 2 230 10	<ul style="list-style-type: none"> - WATERPROOFING PVC MEMBRANE - THERMAL INSULATION ISOVER GREY100 - THERMAL INSULATION ISOVER GREY100 - VAPOUR BARRIER ALUMINUM FOIL - REINFORCED CONCRETE SLAB - PLASTER $U=0.172 \text{ W/m}^2\text{K}$	2 100 80 2 230 10	<ul style="list-style-type: none"> - INNER PLASTER - REINFORCED CONCRETE WALL - WATERPROOFING - ASPHALT - XPS BOARDS - VAPOUR BARRIER ALUMINUM FOIL - NOP FOIL $U=0.30 \text{ W/m}^2\text{K}$	10 240 5 130		