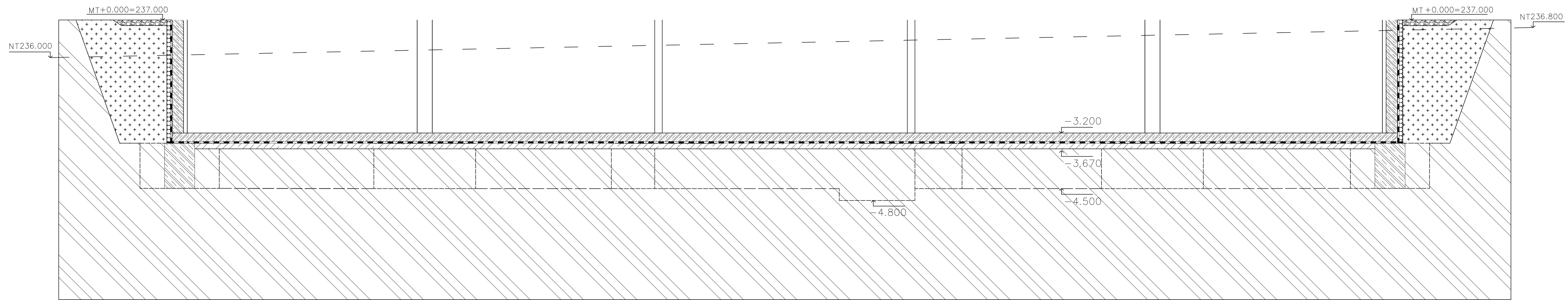
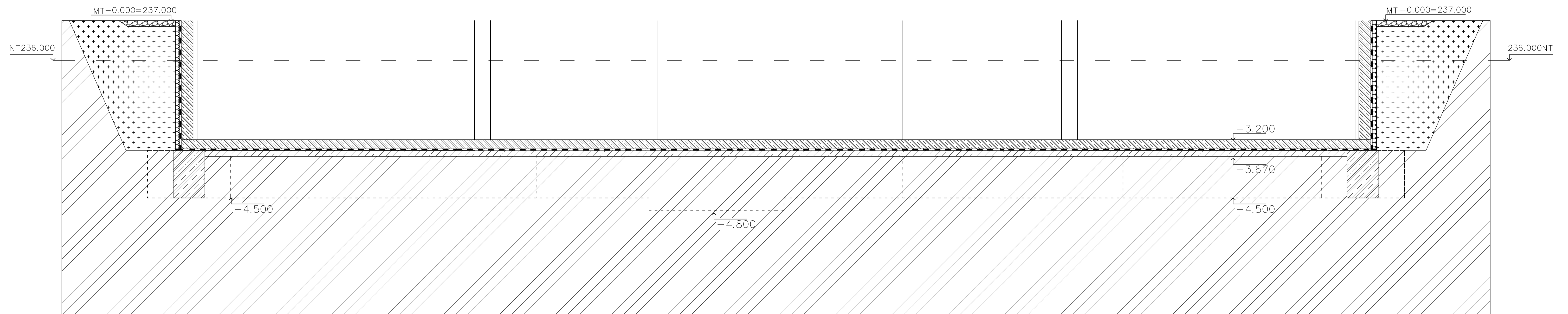


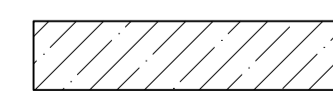
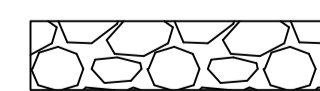

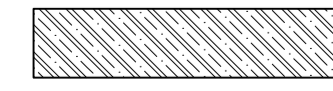
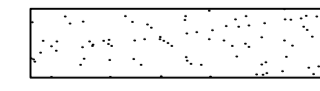
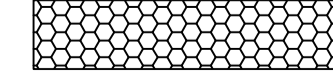
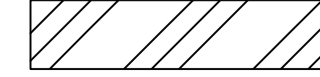
SECTION A-A'




SECTION B-B'



LEGEND OF MATERIALS :

	CONCRETE C30/37		GRAVEL		WATERPROOFING BITUMEM
	REINFORCED CONCRETE C30/37		COMPACTED GRAVEL SAND		
	THERMAL INSULATION XPS		TERRAIN		

Designed by: Bashar Alachkar	Checked by: Ing. Jan Salak, CSc,	Czech Technical University 
Drawing: Foundation sections		1:50
Subject: 124BPRO – Bachelor Project		2020–2021