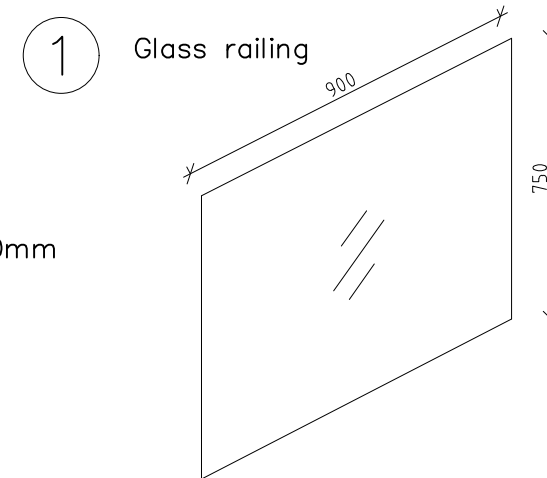
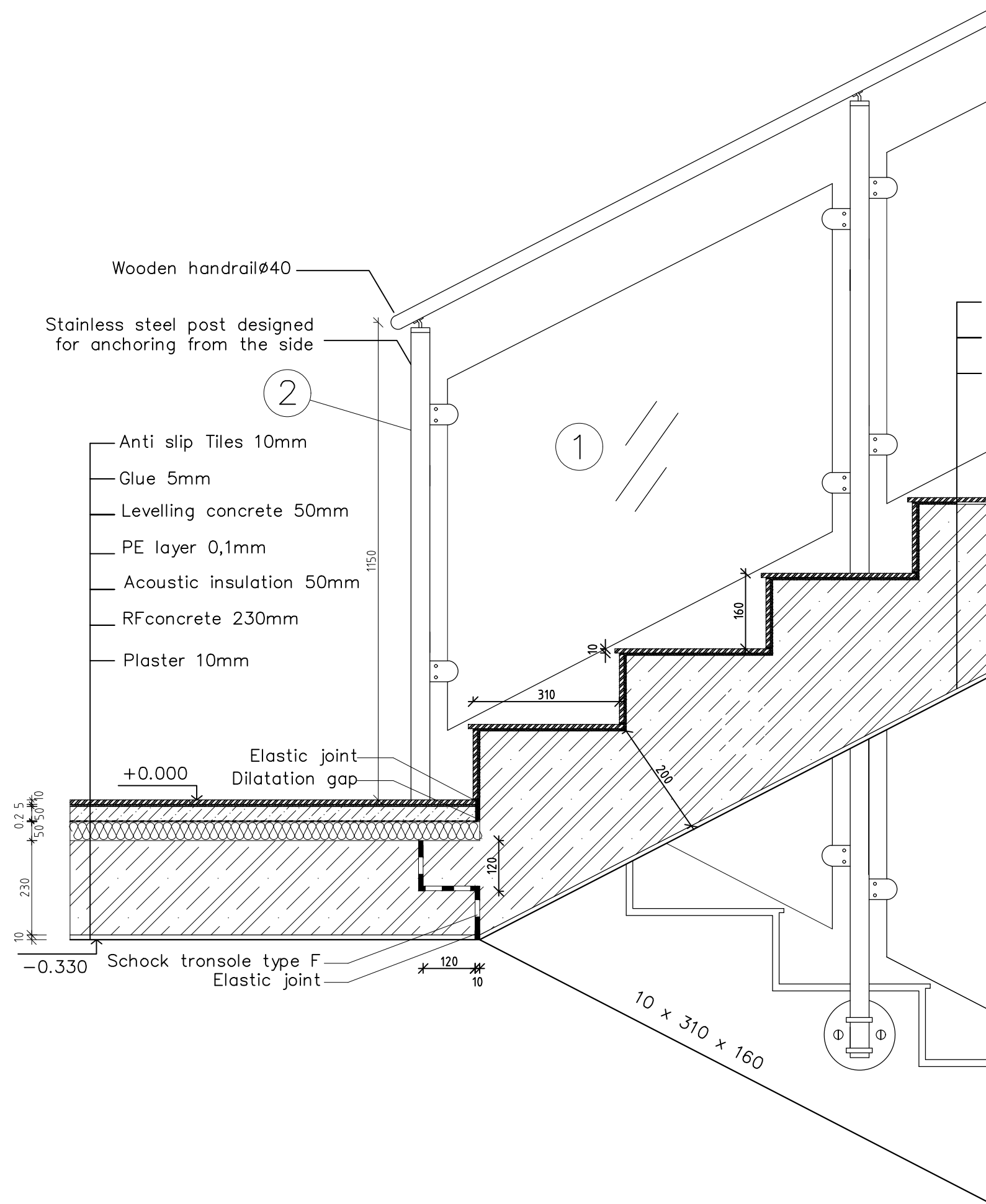
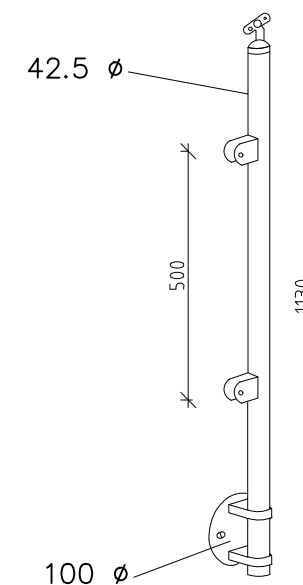



# Legend of materials



② Stainless steel post designed for anchoring from the side



Designed by: Bashar Alachkar	Checked by: Ing. Malila Noori, Ph.D.	Czech Technical University 
Drawing: Detail D		1:10
Subject: 124BPRO – Bachelor Project		2020–2021