

Appendix-B

This appendix consists of the test tracks designed for testing of the autonomous driving of the car by the lidar. The design with the dimensions of the test tracks 1 and 2 can be found here. Also, the dimensions of the car model including the lidar mounted on it can be found here. The dimensions of the car model and the dimensions of the RPLIDAR is given separately, it helps to understand how wide and how tall the test track should be in order to accommodate for the testing of this car model along with RPLIDAR mounted on it for this autonomous driving tests.

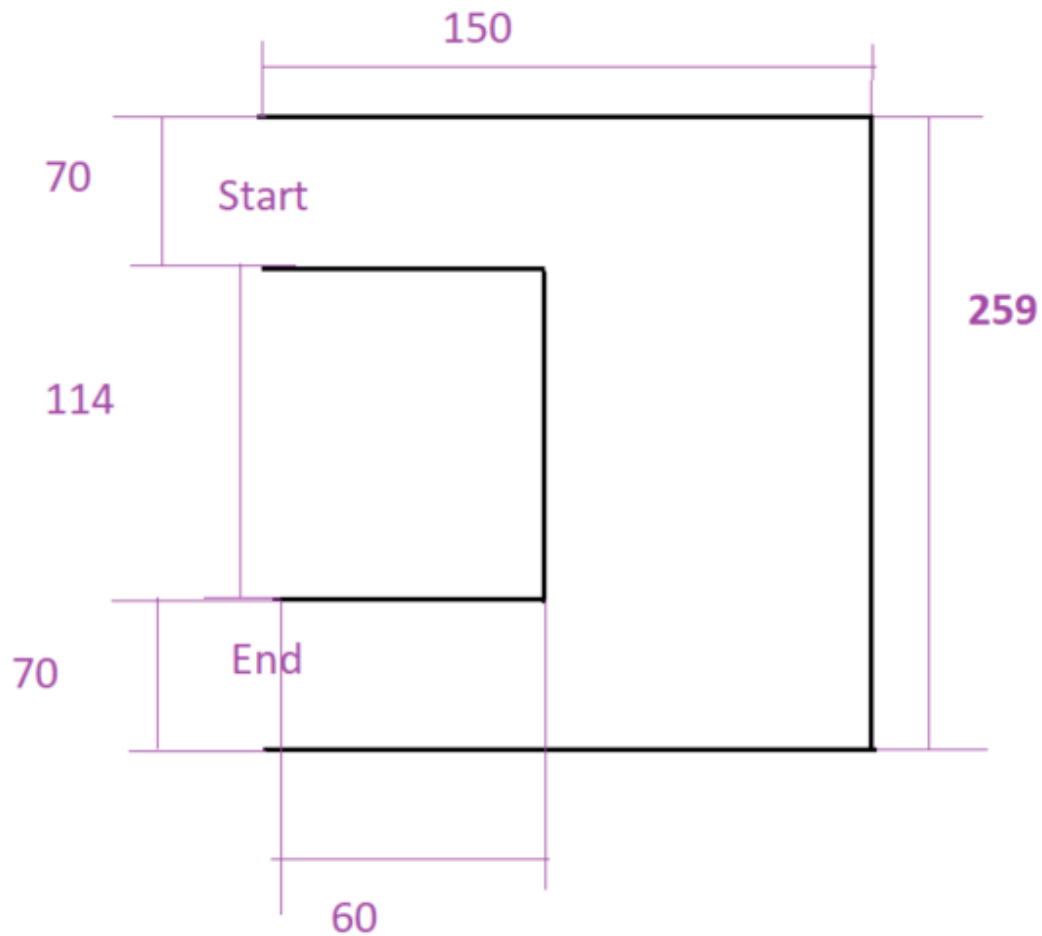


Figure 1 Test track 1

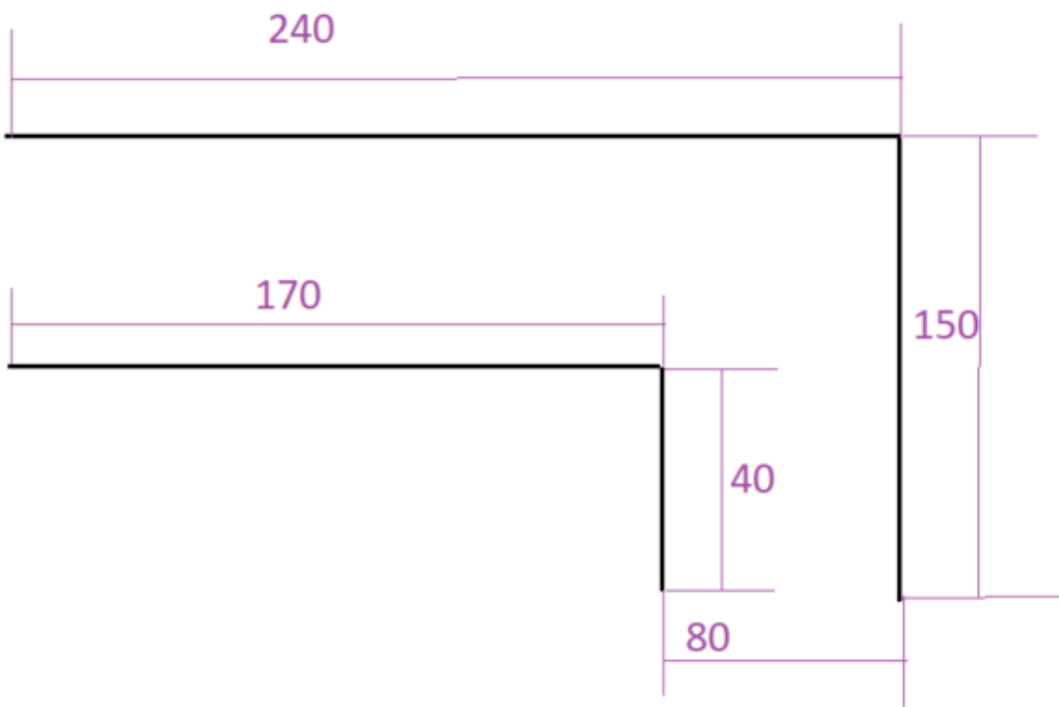


Figure 2 Test track 2

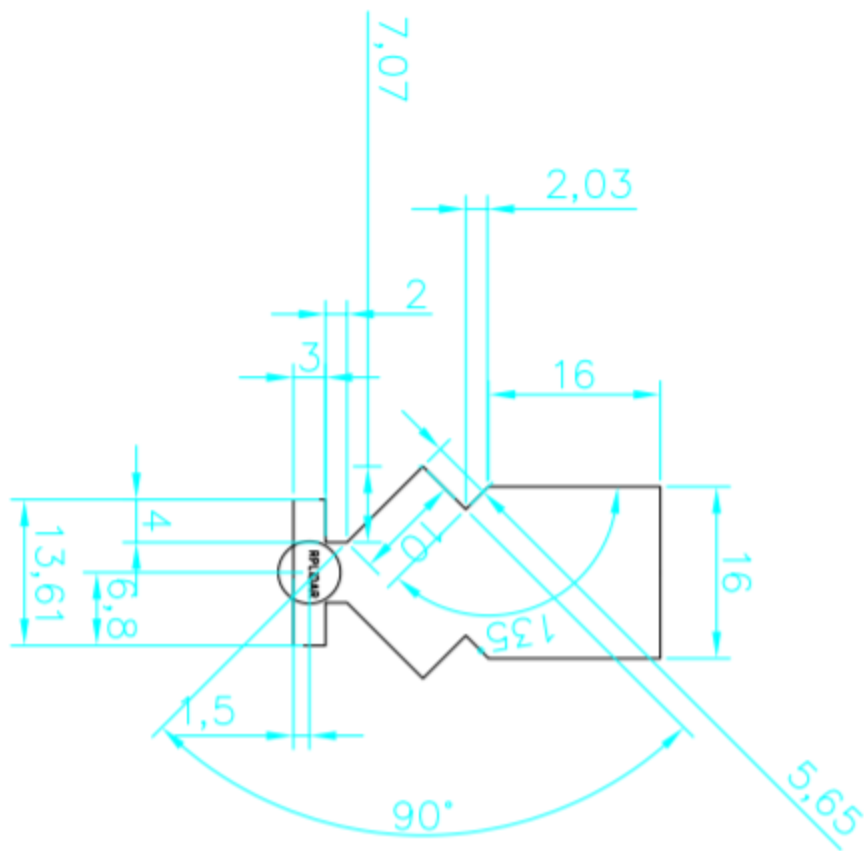


Figure 3 Parameters of the car model

Dimension and Weight

Height:60mm Width:98.5mm Weight:170g

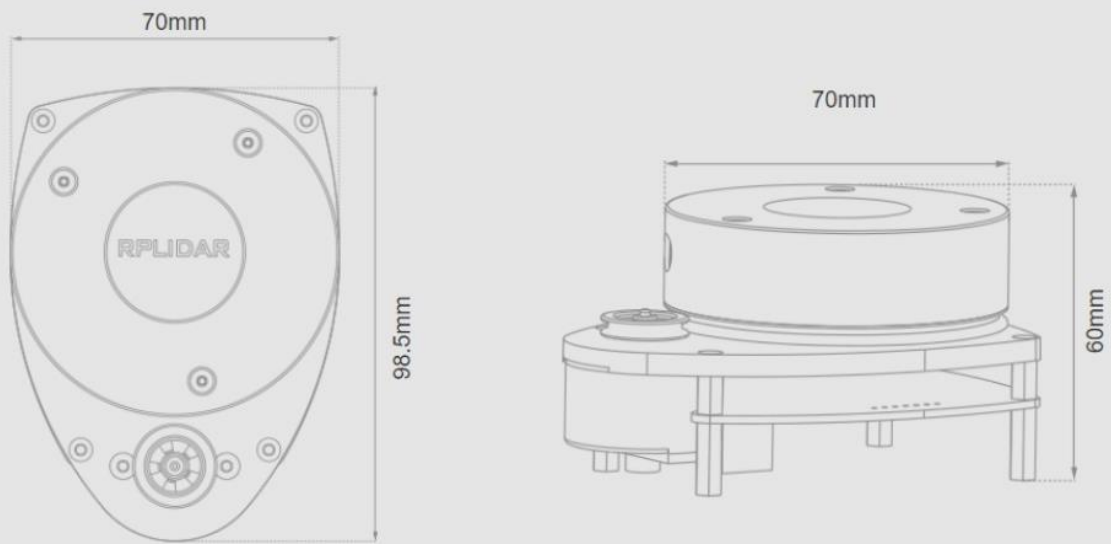


Figure 4 Dimensions of the RPLIDAR[25]