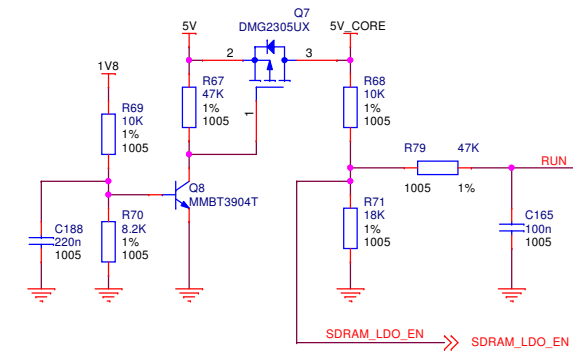
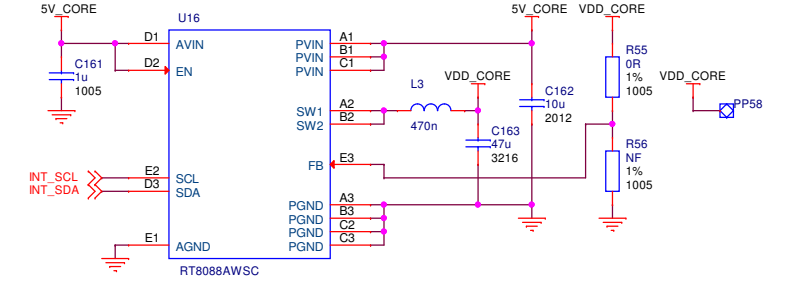
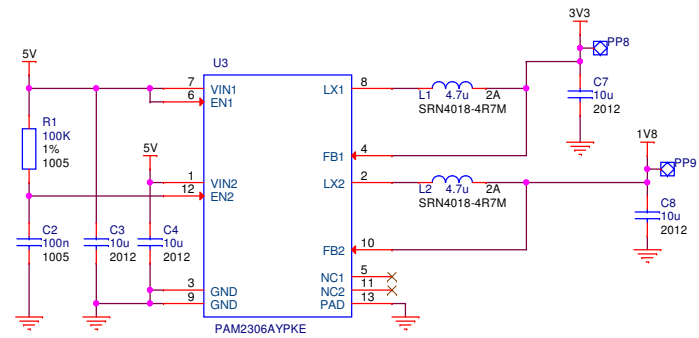
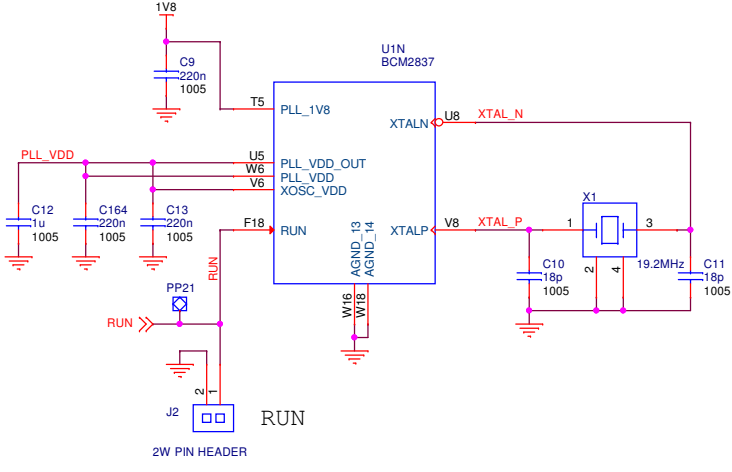


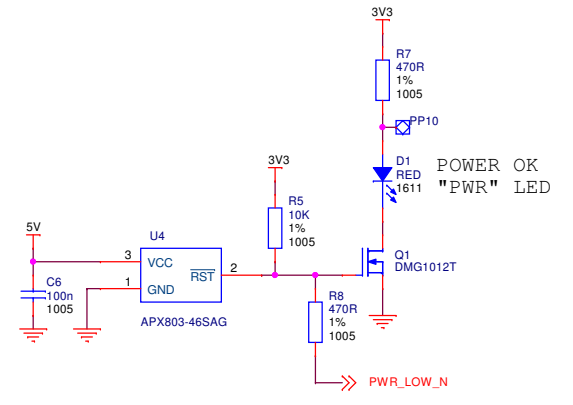
POWER IN



SDRAM_LDO_EN



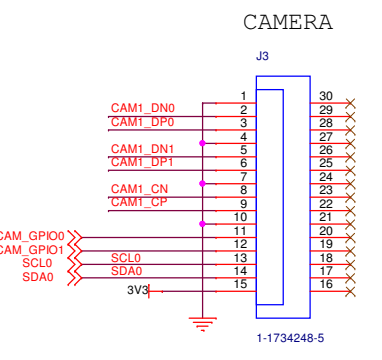
2W PIN HEADER



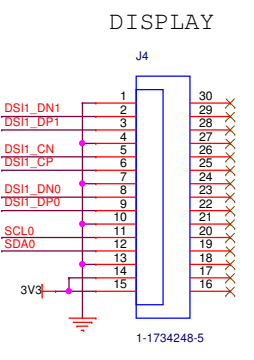
POWER OK "PWR" LED

STATUS "ACT" LED

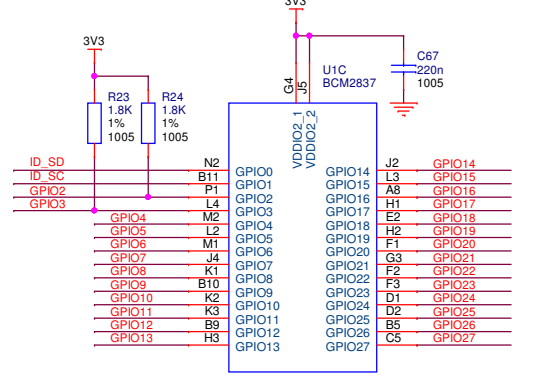
STATUS_LED



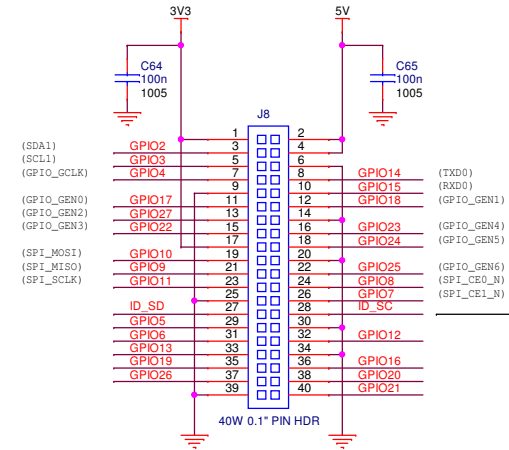
CAMERA



DISPLAY



GPIO EXPANSION

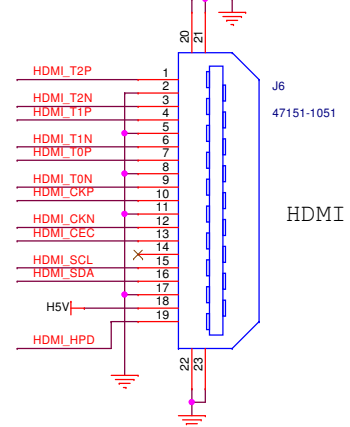
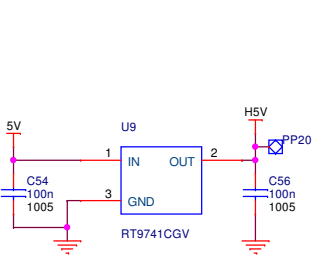


ID_SD and ID_SC PINS:

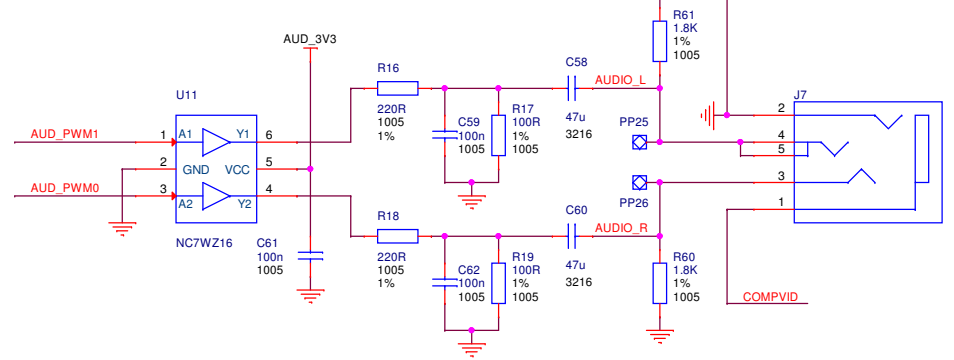
These pins are reserved for HAT ID EEPROM.

At boot time this I2C interface will be interrogated to look for an EEPROM that identifies the attached board and allows automatic setup of the GPIOs (and optionally, Linux drivers).

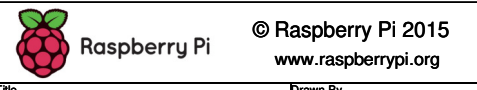
DO NOT USE these pins for anything other than attaching an I2C ID EEPROM. Leave unconnected if ID EEPROM not required.



HDMI



A/V



Raspberry Pi 3 Model B (Reduced Schematics)		Drawn By James Adams	
Size A2	Ref RPI-3B	Rev 1.2	
Date: Monday, April 04, 2016	Sheet 1 of 1		