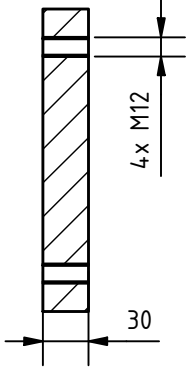


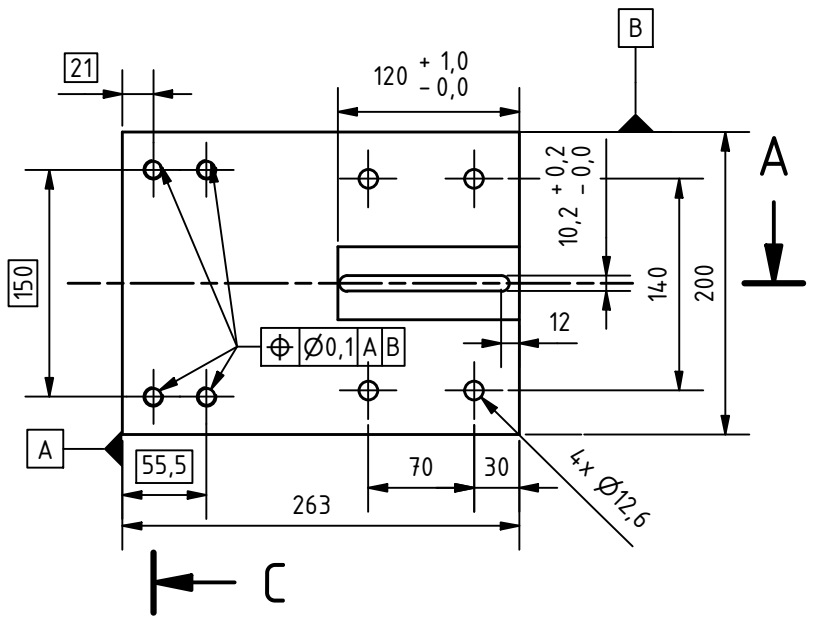


C D

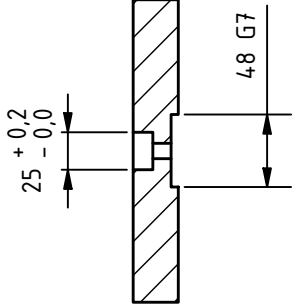
C-C (1 : 5)



A

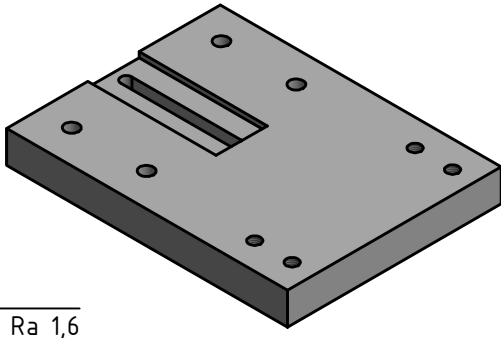
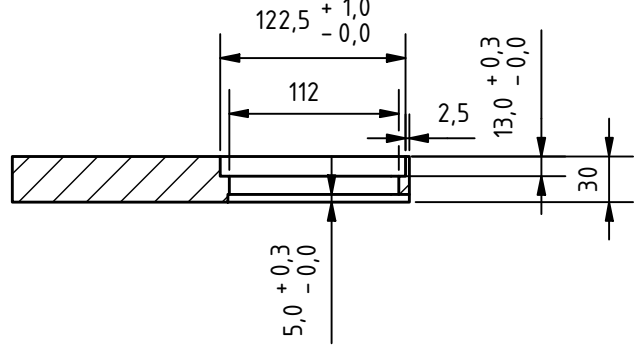


D-D (1 : 5)

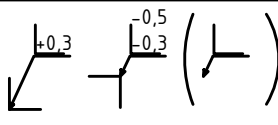


D

A-A (1 : 5)



√ Ra 1,6



Projection:

Scale: 2:1

Material: ČSN Class 19

		Date	Name
Drawn		12/05/2020	JTR
Checked		12/05/2020	VBA
Standard		12/05/2020	
Tolerances according to ISO 8015: NO			
Accuracy ISO 2768 - mK			
State	Changes	Date	Name

<h1>Base</h1>		<h2>R1225_01_03</h2>	1
			A4
Code: R1225		Version: V5C	

