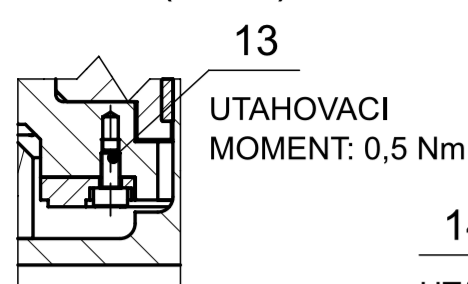
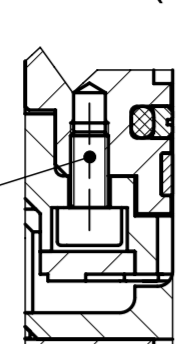


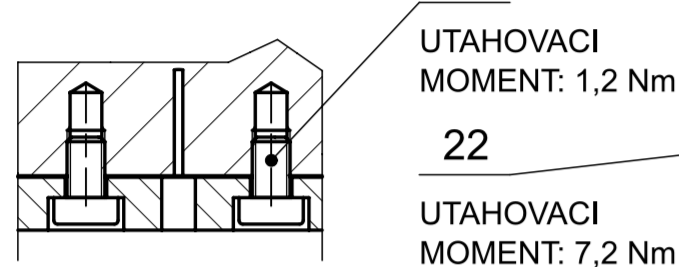
K-K (M1:1)



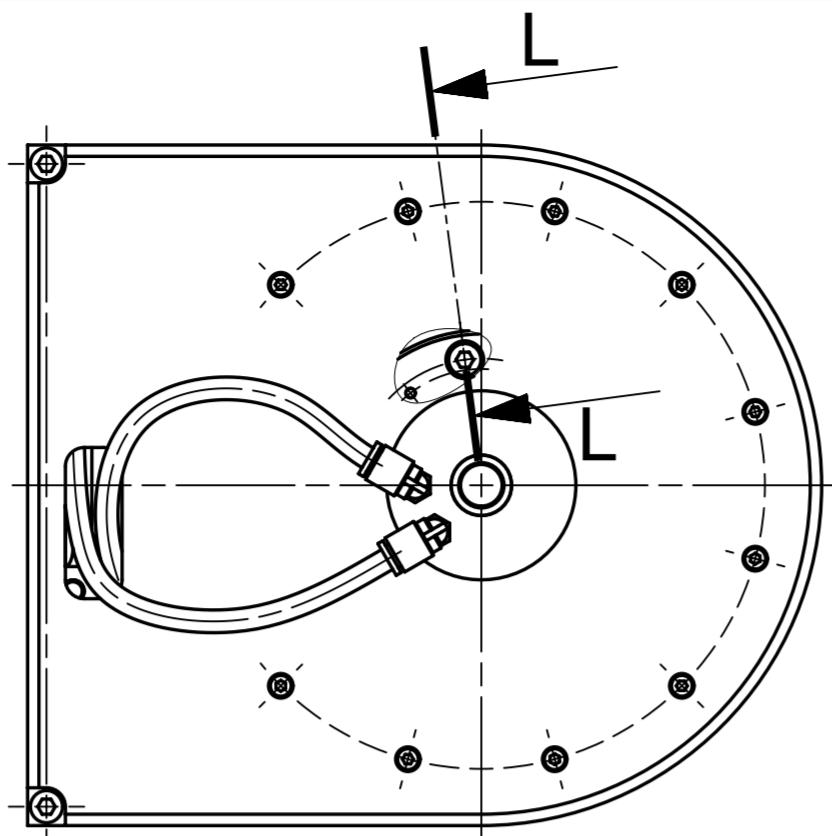
L-L (M1:1)



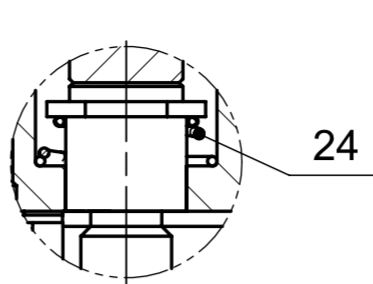
N-N (M1:1)



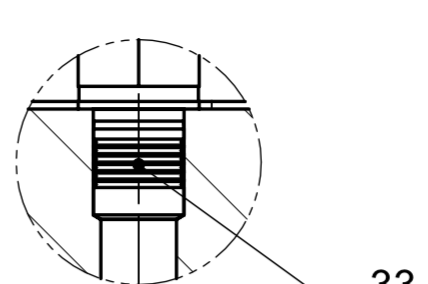
X (M1:1)



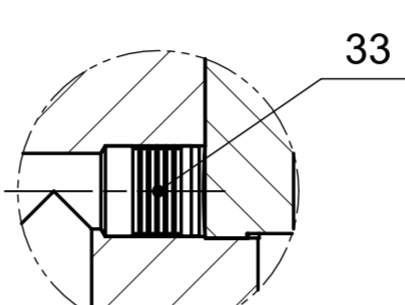
J (M1:1)



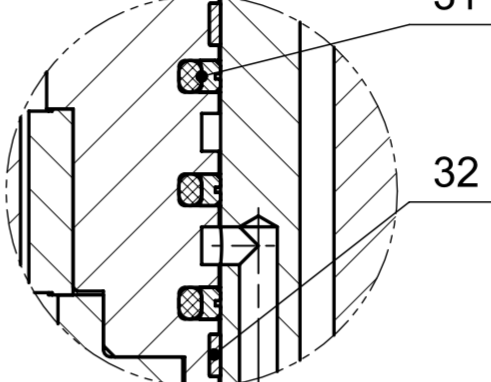
P (M2:1)



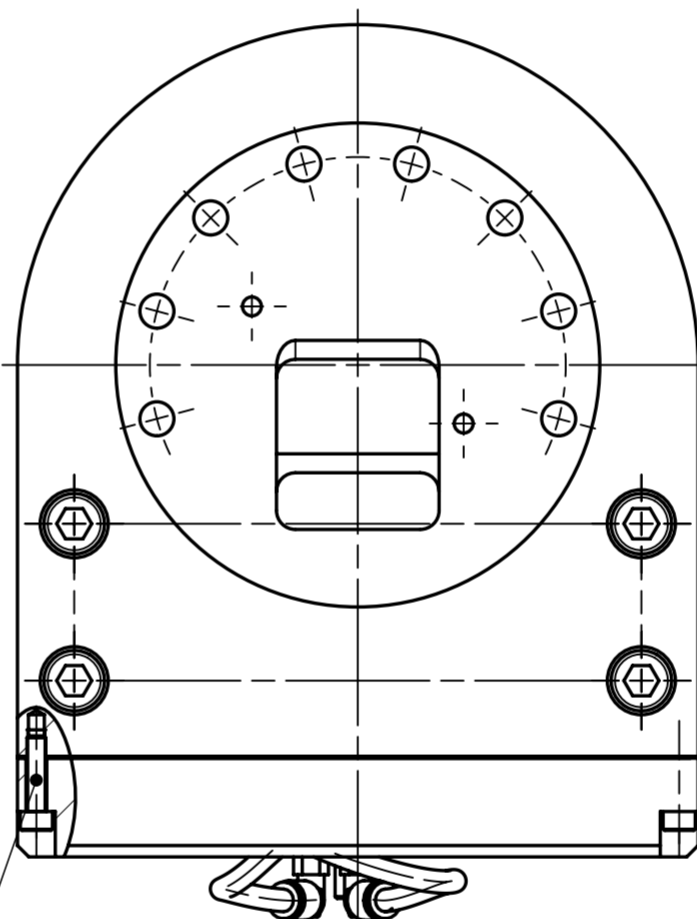
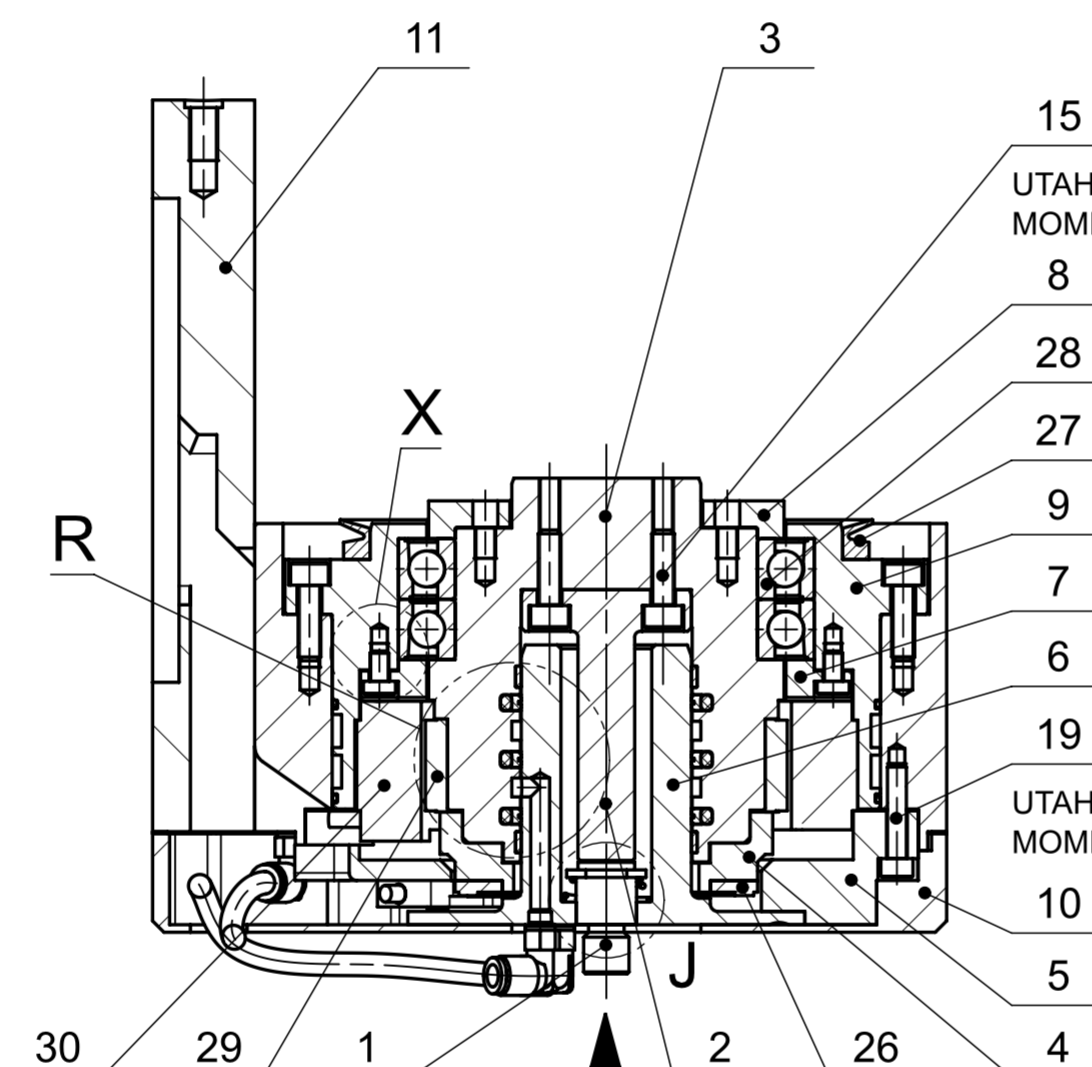
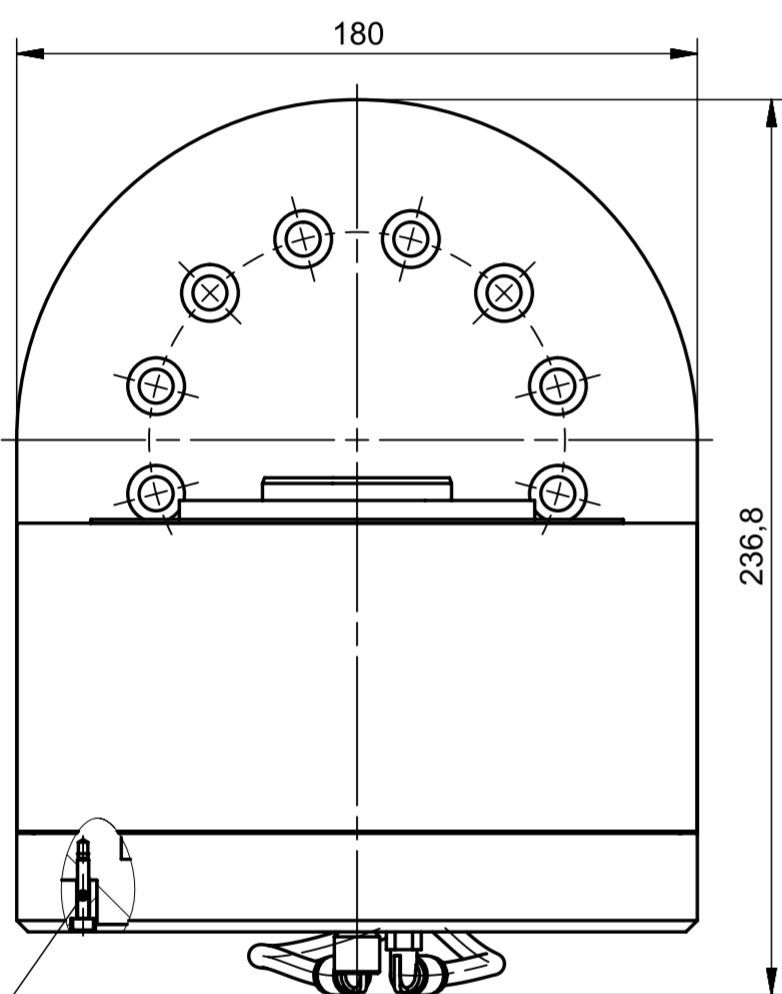
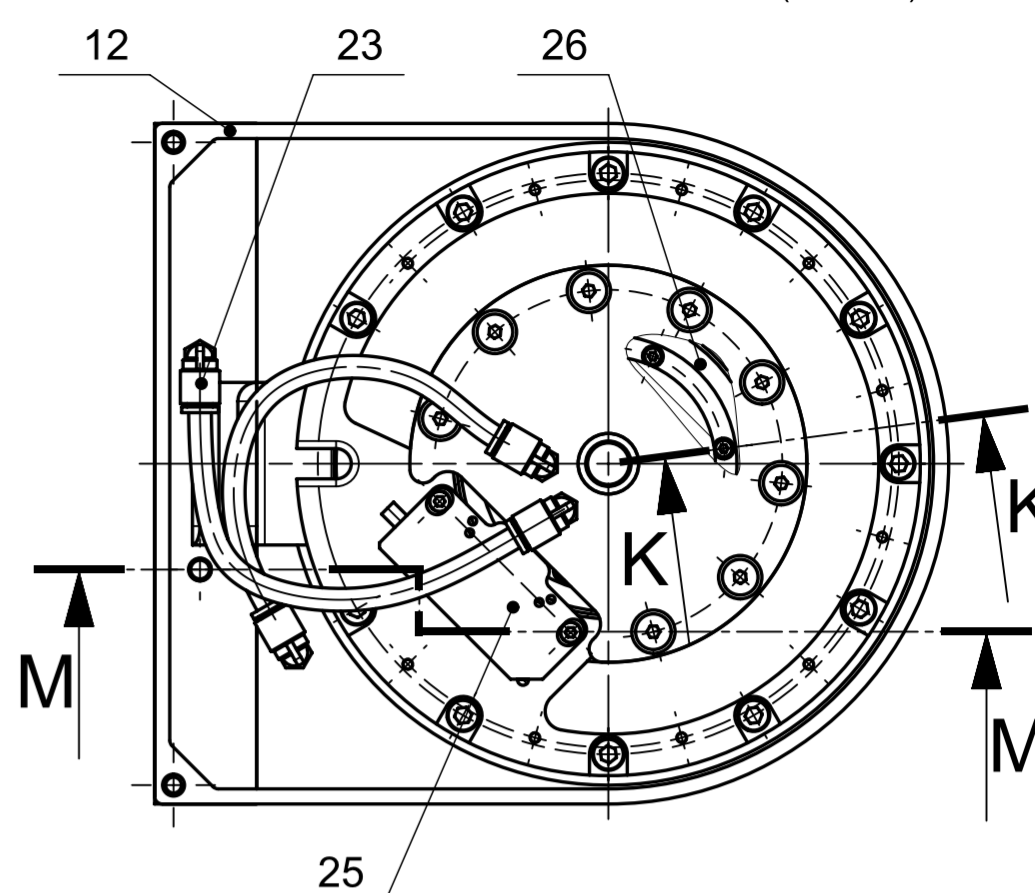
T (M2:1)



R (M1:1)

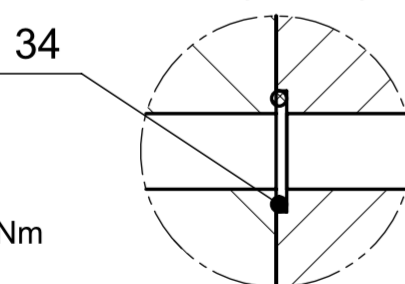


G
SE SUNDANYM KRYTEM OSY C (POZ. 10)

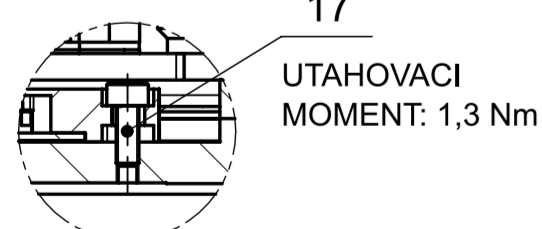


UTAHOVACI
MOMENT: 1,3 Nm

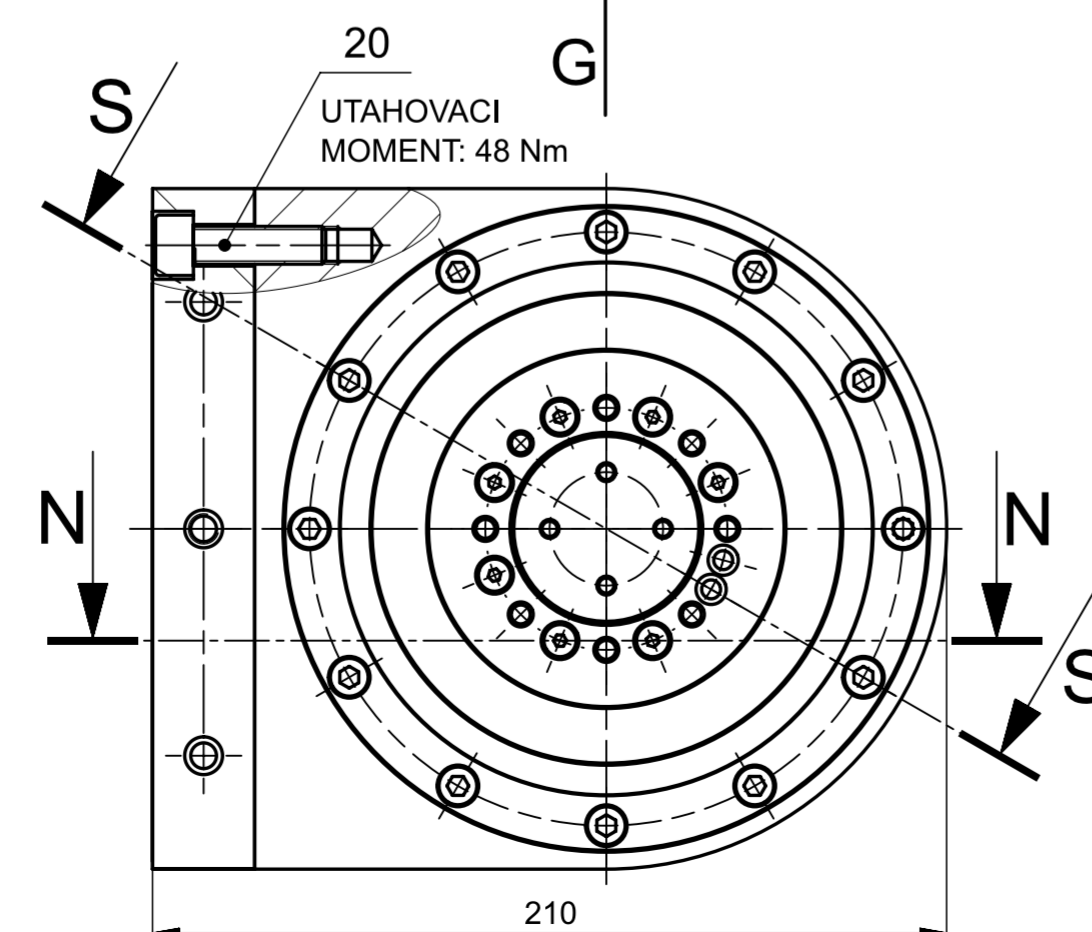
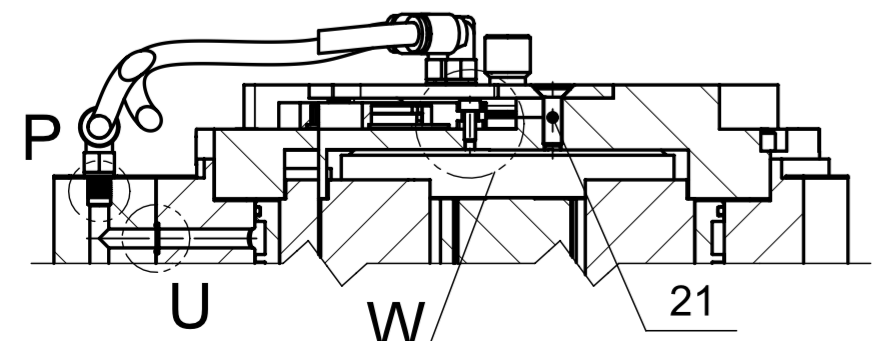
U (M2:1)



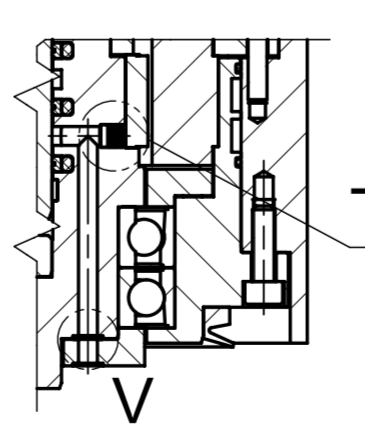
W (M1:1)



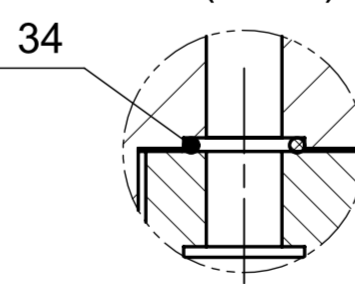
M-M



S-S



V (M2:1)



34	SUP_000005584/00	O-KROUZEK 6,0x1,0 NBR 70			3
33	SUP_000005552/00	UCPAVKA KOENIG EXPANDER CV 173-060			3
32	SUP_000005550/00	VODICI KROUZEK F87-5,6x1,5x45			2
31	SUP_000005548/00	ROTACNI TESNENI R310-45x56x4,2			3
30	SUP_000005547/00	STATOR MOTORU QTR-A-133-34N			1
29	SUP_000005545/00	ROTOR MOTORU QTR-A-133-34N			1
28	SUP_000005544/00	SKF S71916 ACD/P4ADBB			2
27	SUP_000005487/00	KROUZEK VA-130 NBR			1
26	SUP_000005410/00	ODMEROVANI - PRAVITKO AksIM MRA8			1
25	SUP_000005409/00	ODMEROVANI - CTECI HLAVA AksIM MHA8			1
24	SUP_000005239/00	KUZELOVA PRUZINA INVEL PLUS 1,25x23,8>19x20x6			1
23	SUP_000004583/00	SROUBENI SMC KQ2L06-M6A-KQL			4
22	NOR_000009773/00	Sroub DIN 7984 - M5x8 - 8.8			17
21	NOR_000004894/00	Sroub ISO 10642 - M5x16 - 8.8			8
20	NOR_000000738/00	Sroub ISO 4762 - M10x35 - 8.8			4
19	NOR_000000536/00	Sroub ISO 4762 - M5x25 - 8.8			11
18	NOR_000000530/00	Sroub ISO 4762 - M5x20 - 8.8			2
17	NOR_000000510/00	Sroub ISO 4762 - M3x8 - 8.8			2
16	NOR_000000252/00	Sroub ISO 4762 - M3x16 - 8.8			10
15	NOR_000000250/00	Sroub ISO 4762 - M6x20 - 8.8			4
14	NOR_000000247/00	Sroub ISO 4762 - M5x10 - 8.8			6
13	NOR_000000243/00	Sroub ISO 4762 - M2,5x5 - 8.8			6
12	PRT_000023837/00	PLOSNE TESNENI KRYTU OSY_C	REINZ AFM 38	0,01	1
11	PRT_000023781/00	DESKA TELESA OSY_C	AW-5083	1,79	1
10	PRT_000023705/00	KRYT OSY_C	ABS	0,22	1
9	PRT_000023700/00	OBROBENEC PATRONY OSY_C		5,61	1
8	PRT_000023699/00	VNITRNI VIKO LOZISEK OSY_C	C45	0,27	1
7	PRT_000023698/00	VNEJSI VIKO LOZISEK OSY_C	S235JR+N	0,36	1
6	PRT_000023697/00	STATICKA ROZVODKA OSY_C	C45	0,83	1
5	PRT_000023696/00	VIKO STATORU OSY_C	S235JR+N	2,02	1
4	PRT_000023694/00	VIKO ODMEROVANI OSY_C	S235JR+N	0,34	1
3	PRT_000023692/00	HRIDEL LOZISEK OSY_C	16MnCr5	2,74	1
2	PRT_000023691/00	ROTACNI ZEMNICKI KONTAKT	S235JR+N	0,2	1
1	PRT_000018343/00	STATICKY KONTAKT	CW004A	0,04	1
POS	CISLO	JMENO	MATERIAL	M [Kg]	KS

MATERIAL		KRESLIL	HOFFMANN	5.7.2020
POLOTOVAR		ZMENIL	HOFFMANN	15.7.2020
PRESNOST ISO 2768 mK		SCHVALIL		
PROMITANI	☐ [ISO E]			
TOLEROVANI PODLE ISO				
NEOZNACENE DRSNOSTI Ra				
PROJEKT	DP			
STATUS				
MERITKO	1:2 (1:1) (2:1)			
ALTERNATIVNI CISLO				
		NAZEV		
		SESTAVA_OSY_C		
		CISLO VYKRESU		LIST 1
		ASM_000007959/00		LISTU 1