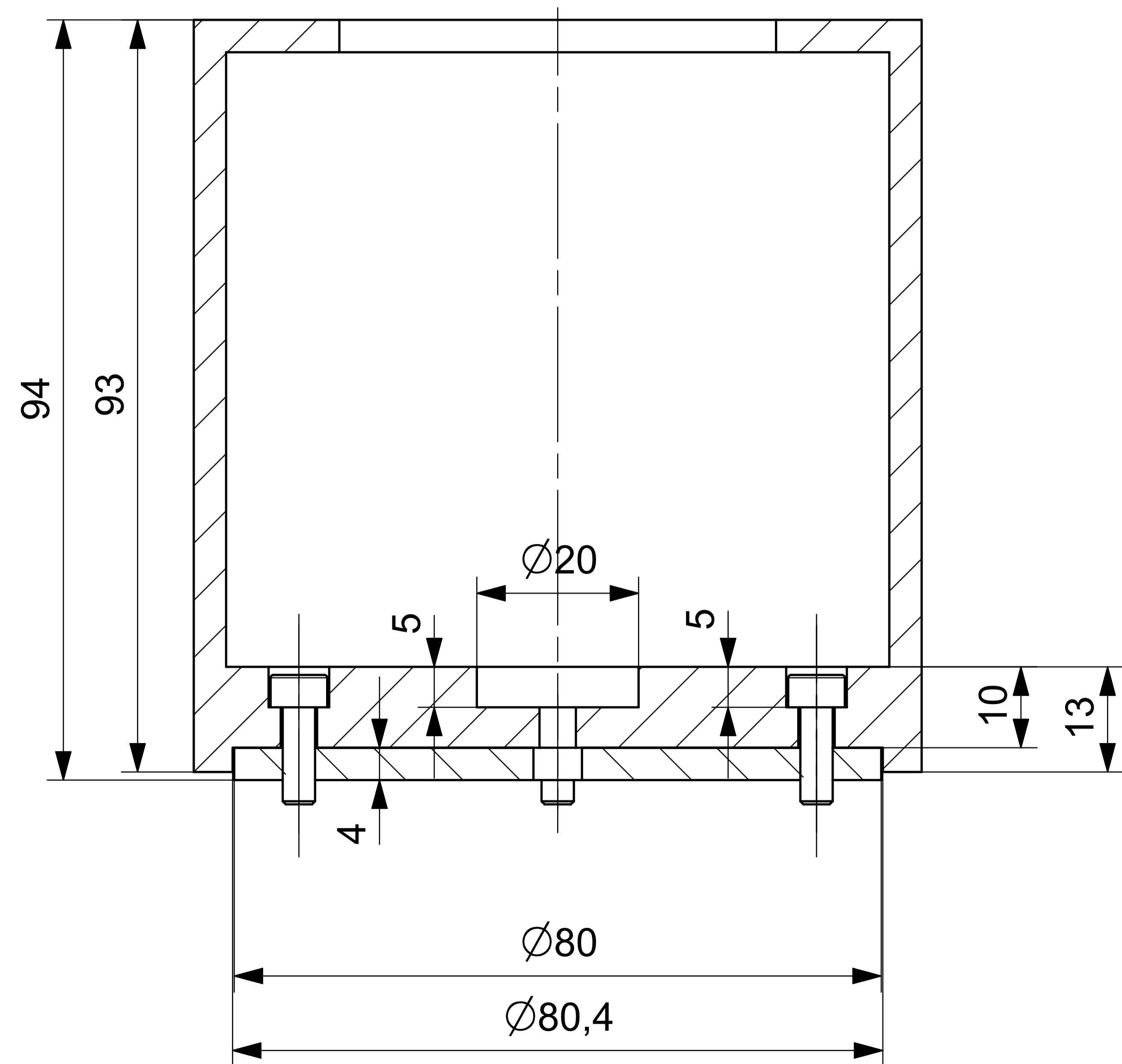
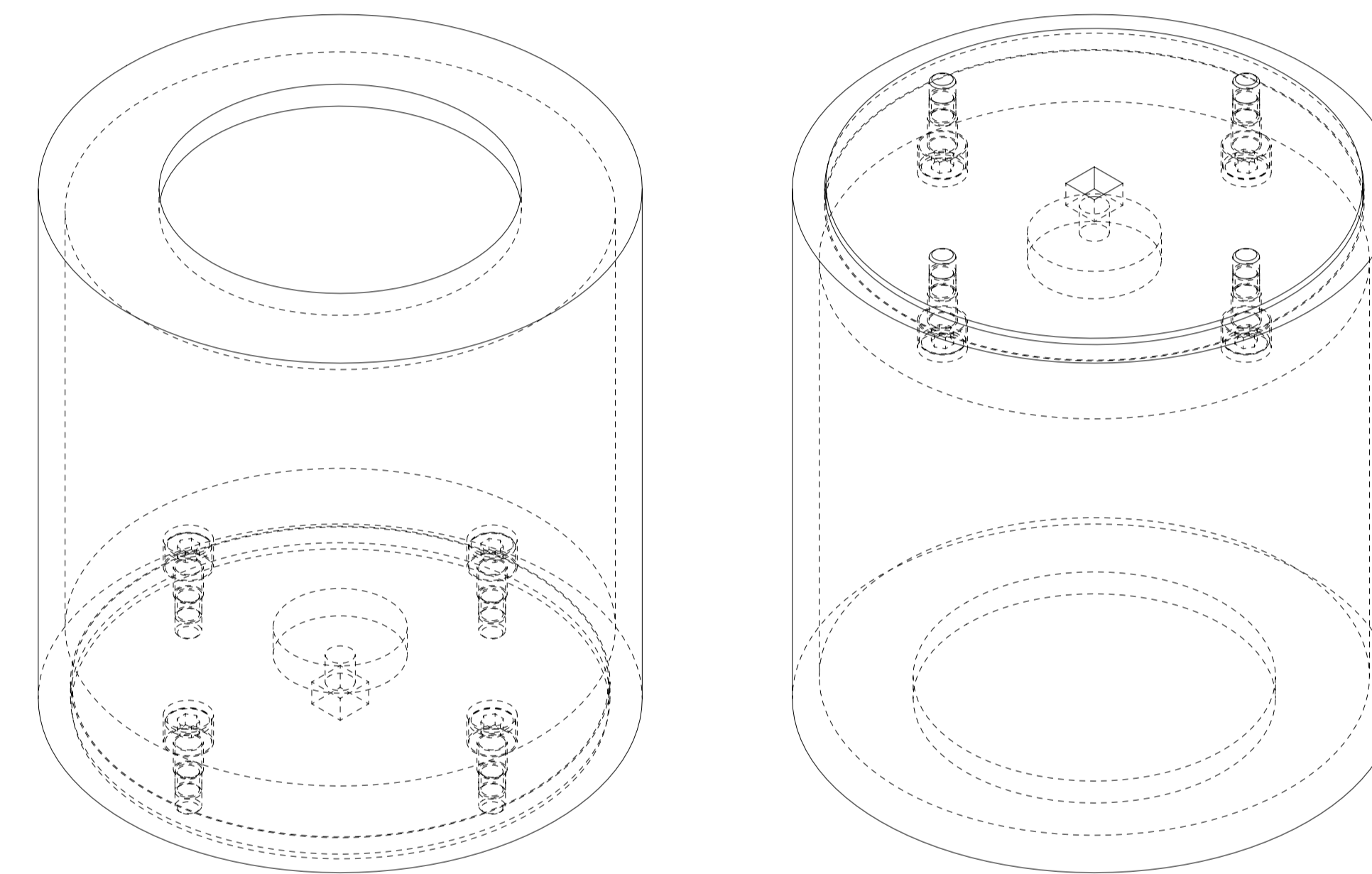


SECTION A-A



ISO VIEWS



krystudio.cz		Sheet	Material	ABS	
		1 of 1	Surface Treatment	-	
Scale	1:2	Created	Krupanský K.	Standart Color	-
<small>Projection see ISO 128 Bend Tolerance DIN 6935 Welding Tolerance DIN EN ISO 13920 - BF General Tolerance DIN ISO 2768 - mK Surface Condition DIN EN ISO 1302 Laser-Cut Tolerance DIN EN ISO 9013 KL1</small>		Designed	Krupanský K.	Theor Weight [kg]	-
		Name	Centrifuge	17.10.2019	