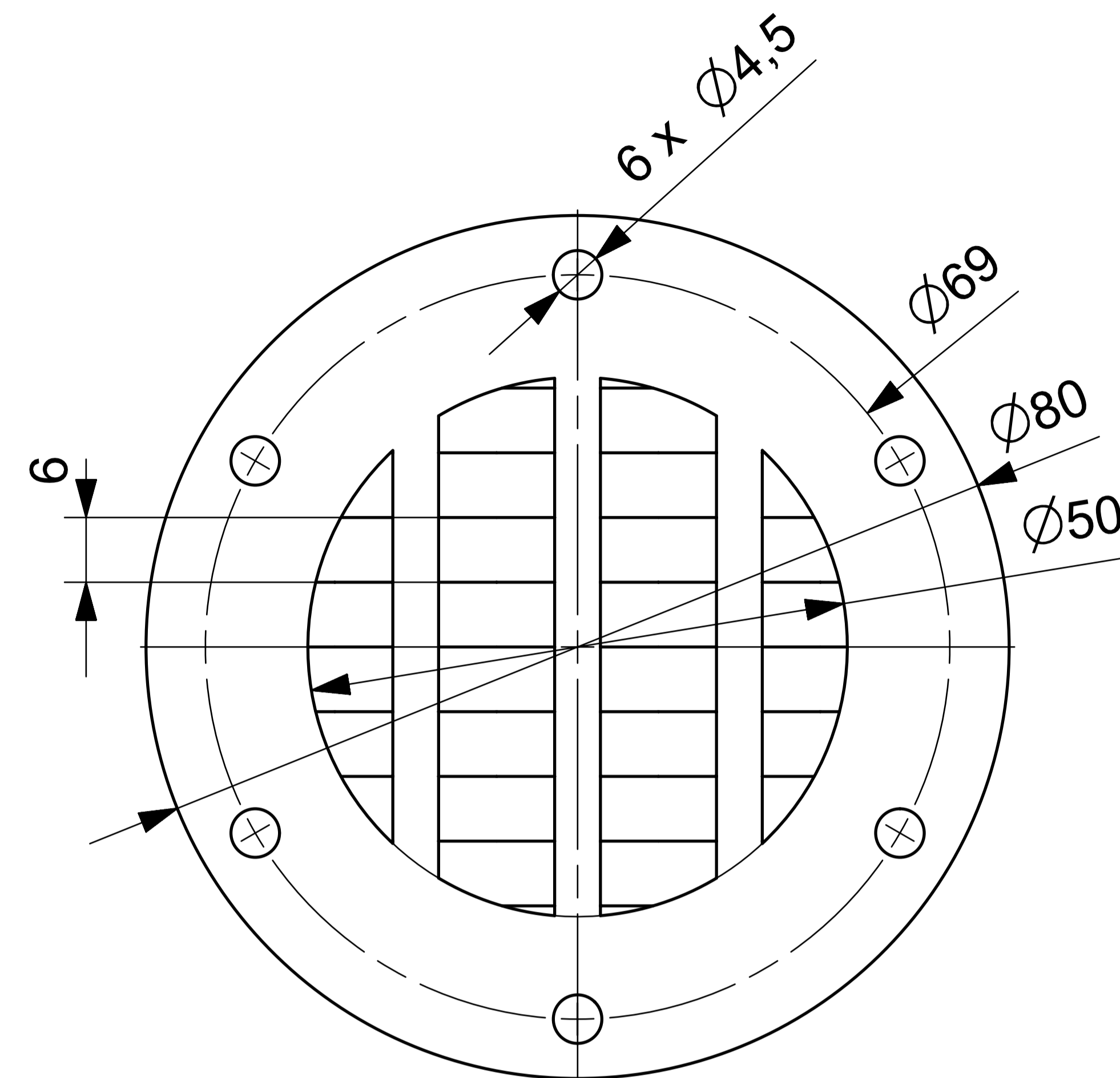
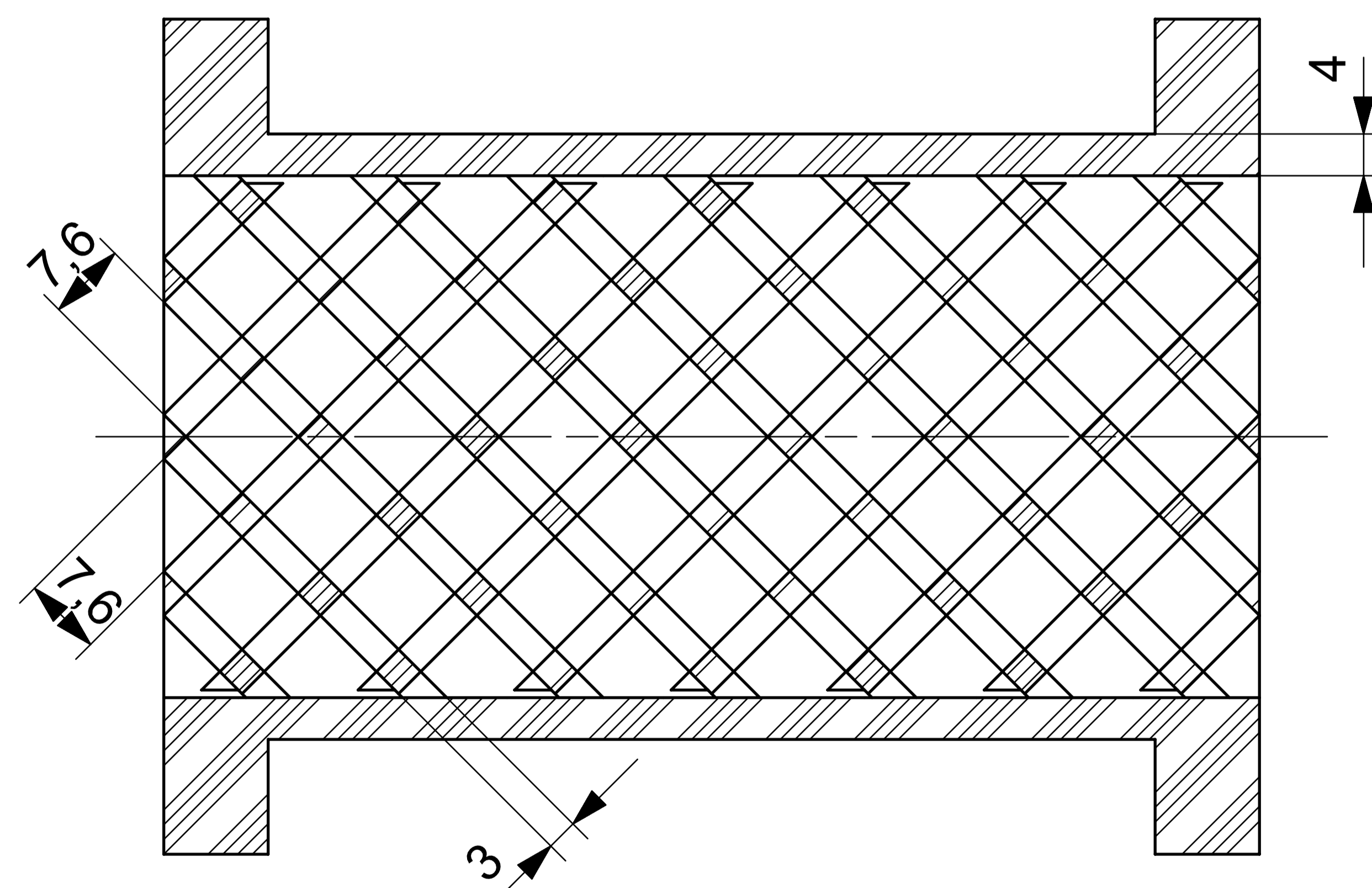
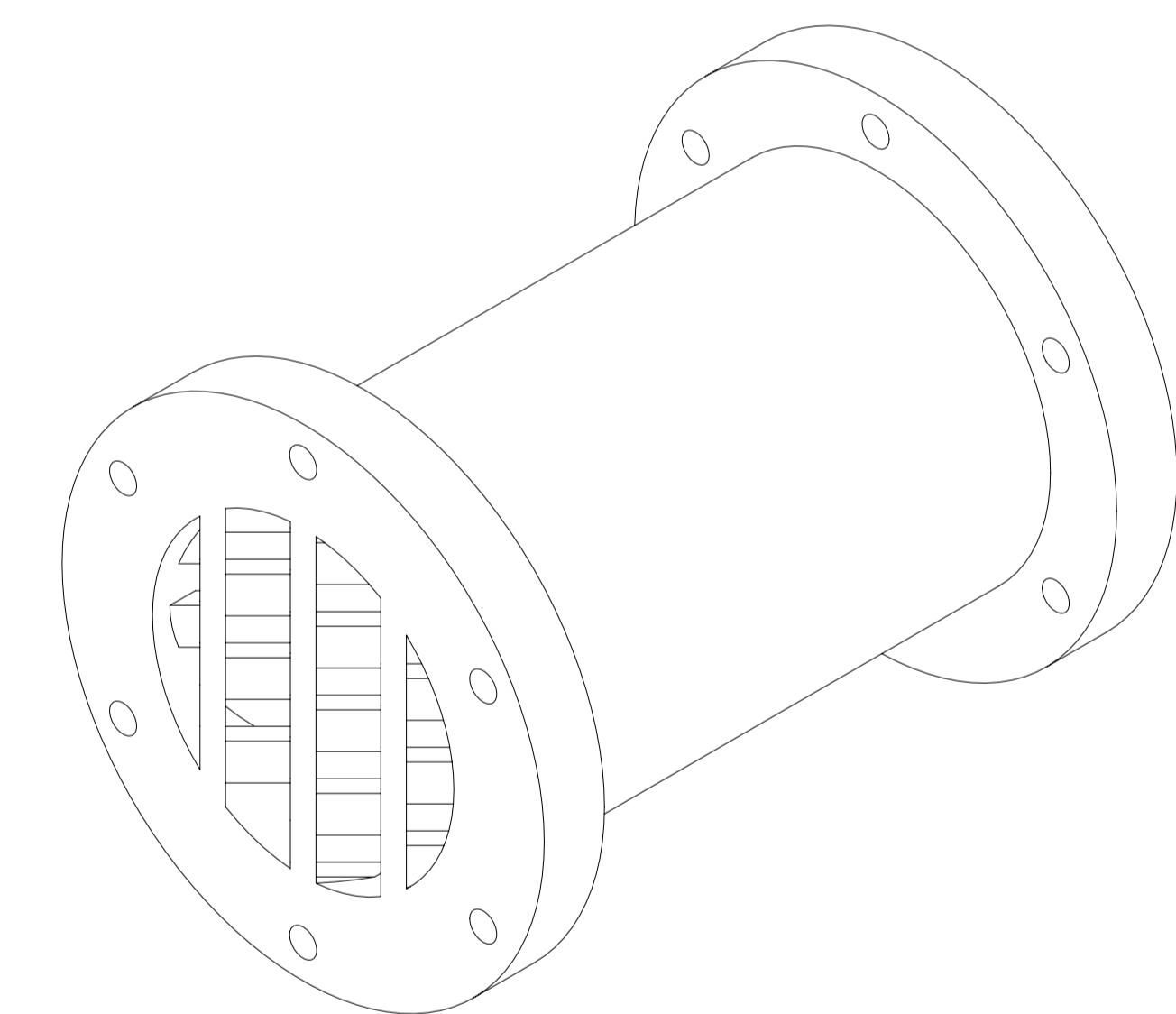


SECTION A-A



ISO VIEW



krystudio.cz		Sheet	Material	ABS	
		1 of 1	Surface Treatment	-	
Scale	1:1	Created	Krupanský K.	Standart Color	-
<small>Projection see ISO 128          Bend Tolerance DIN 6935          Welding Tolerance DIN EN ISO 13920 - BF          General Tolerance DIN ISO 2768 - mK          Surface Condition DIN EN ISO 1302          Laser-Cut Tolerance DIN EN ISO 9013 KL1</small>		Designed	Krupanský K.	Theor Weight [kg]	-
		Name	Statický směšovač 2		3.2.2020