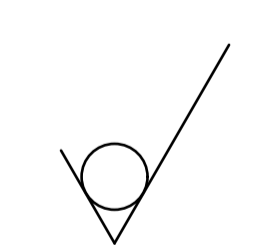
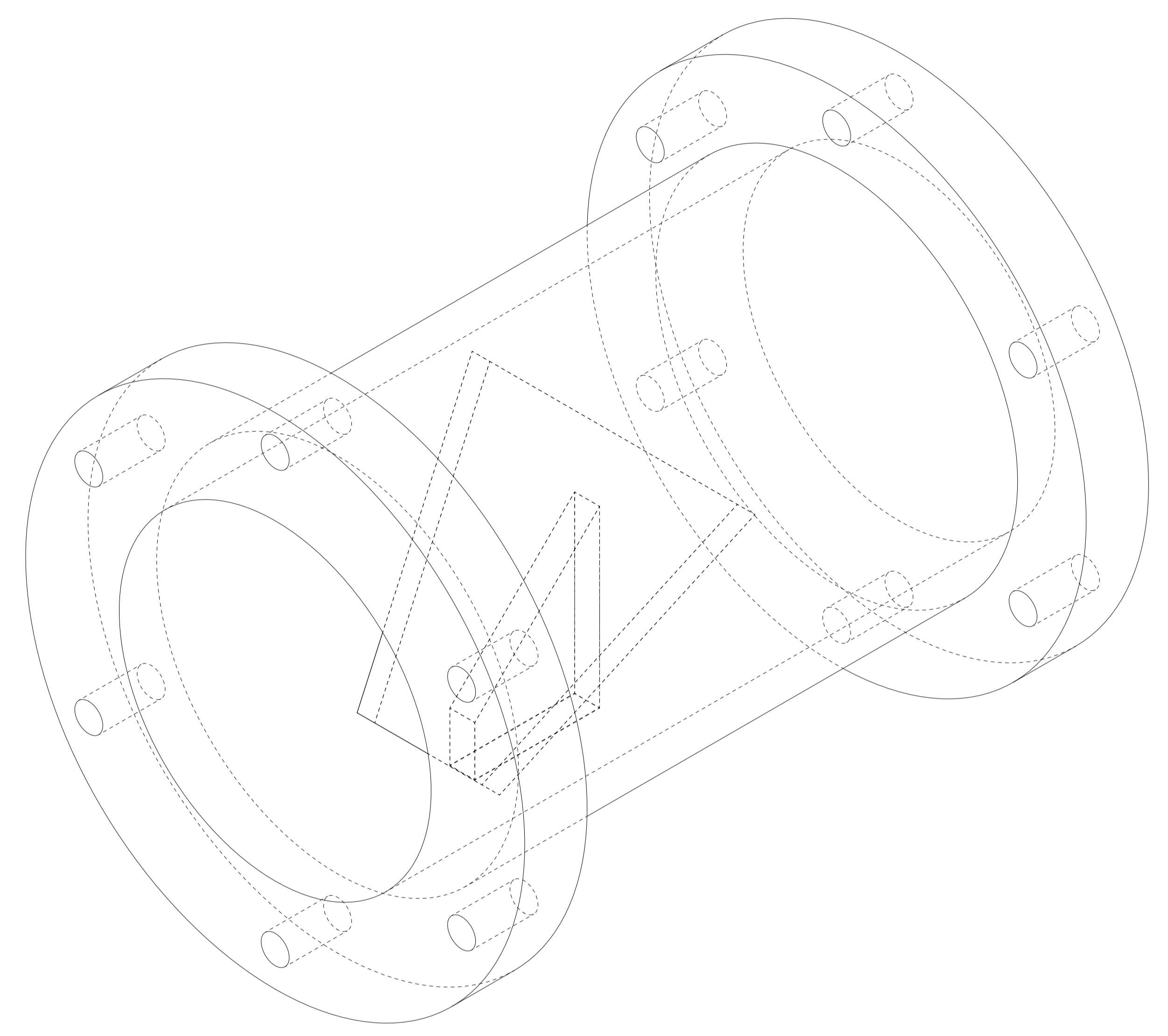


ISO VIEW



|  |     |          |                     |                   |          |
|--|-----|----------|---------------------|-------------------|----------|
| krystudio.cz   |     | Sheet    | Material            | PET-G/PLA         |          |
|  |     | 1 of 1   | Surface Treatment   | -                 |          |
| Scale  | 1:1 | Created  | Krupanský K.        | Standart Color    | -        |
| <small>Projection see ISO 128<br/>         Bend Tolerance DIN 6935<br/>         Welding Tolerance DIN EN ISO 13920 - BF<br/>         General Tolerance DIN ISO 2768 - mK<br/>         Surface Condition DIN EN ISO 1302<br/>         Laser-Cut Tolerance DIN EN ISO 9013 KL1</small> |     | Designed | Krupanský K.        | Theor Weight [kg] | -        |
|  |     | Name     | Statický směšovač 1 |                   | 3.2.2020 |