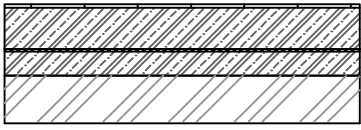
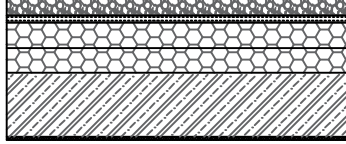
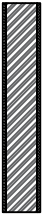
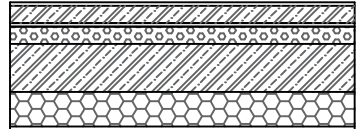
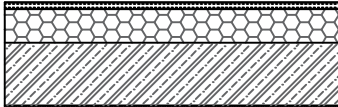



UNDERGROUND LEVEL FLOOR F1	t [mm]	
-FINISH OF FLOORING -REINFORCED CONCRETE SLAB -WATER PROOFING -RF COCNRETE -SOIL U=0.60 W/m ² K	20 230 5 150	

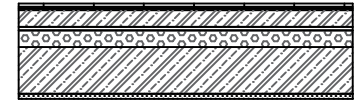
FLAT ROOF R	t [mm]	
-GRAVEL -WATERPROOFING - ASPHALT -WATERPROOFING - ASPHALT -THERMAL INSULATION XPS -THERMAL INSULATION XPS -VAPOUR BARRIER -REINFORCED CONCRETE SLAB -PLASTER U=0.16 W/m ² K	50 2.5 2.5 100 100 2 230 10	

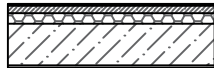
PARTITION WALL W1	t[mm]	
-INNER PLASTER - POROTHERM UNIVERSAL -MASONRY POROTHERM 14 497/140/249mm -INNER PLASTER - POROTHERM UNIVERSAL U=0.25W/m ² K, R _w = 44 dB	10 140 10	


UNDERGROUND LEVEL TO GF F2	t [mm]	
-Tiles -Glue layer BASF -CONCRETE LEVELING LAYER -SEPARATION FOIL -ACOUSTIC INSULATION -REINFORCED CONCRETE SLAB -THERMAL INSULATION XPS -PLASTER U= 0.40 W/m ² K, R _w = 54 dB, L _w = 58 dB	9 5 30 50 230 100 10	

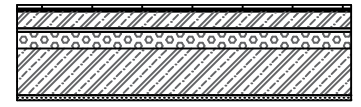
FLAT ROOF R2	t [mm]	
-WATERPROOFING - ASPHALT -WATERPROOFING - ASPHALT -THERMAL INSULATION XPS -VAPOUR BARRIER -REINFORCED CONCRETE SLAB -PLASTER U=0.16 W/m ² K	2.5 2.5 140 2 230 10	

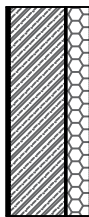
PARTITION WALL BATHROOM W3	t[mm]	
-INNER PLASTER - POROTHERM UNIVERSAL -MASONRY POROTHERM 8profi 400/80/200mm -INNER PLASTER - POROTHERM UNIVERSAL U=0.25W/m ² K, R _w = 43 dB	10 80 10	

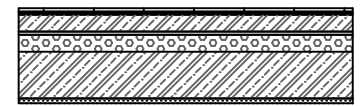
TYPICAL FLOORS F3	t [mm]	
-Tiles -GLUE -CONCRETE LEVELING LAYER -SEPARATION FOIL -ACOUSTIC INSULATION -REINFORCED CONCRETE SLAB -PLASTER R _w = 54 dB, L _w = 58 dB	9 5 30 50 230 10	

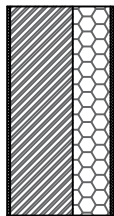
STAIRS LANDING F5	t [mm]	
-ANTI SLIP TILES -GLUE -LEVELING CONCRETE -PE FOIL -ACOUSTIC INSULATION -RF CONCRETE SLAB -PLASTER	9 5 30 0.2 40 230 10	


PARTITION WALL STORES W4	t[mm]	
-INNER PLASTER - POROTHERM UNIVERSAL -MASONRY POROTHERM HP 8 497/80/238mm -INNER PLASTER - POROTHERM UNIVERSAL U=0.25W/m ² K, R _w = 41 dB	10 80 10	

BATHROOM F3B	t [mm]	
-ANTI - SLIP CERAMIC TILES, RAKO -GLUE -CONCRETE LEVELING LAYER -SEPARATION FOIL -ACCUSTIC INSULATION -REINFORCED CONCRETE SLAB -PLASTER	9 30 50 230 10	

EXTERNAL WALL UNDERGROUND LEVEL W01	t[mm]	
-INNER PLASTER -REINFORCED CONCRETE WALL -WATERPROOFING- ASPHALT -XPS BOARDS -NOP FOIL U=0.25W/m ² K, R _w = 44 dB	10 240 5 130	

KITCHEN F3K	t [mm]	
-ANTI - SLIP CERAMIC TILES, RAKO -GLUE -CONCRETE LEVELING LAYER -SEPARATION FOIL -ACCUSTIC INSULATION -REINFORCED CONCRETE SLAB -PLASTER	9 30 50 230 10	

PERIMETER WALL W1	t[mm]	
-INNER PLASTER - POROTHERM UNIVERSAL -MASONRY porotherm P30 profi -THERMAL INSULATION - EPS -OUTER PLASTER - POROTHERM UNIVERSAL U=0.25W/m ² K, R _w = 57 dB	10 300 150 10	

Designed by:	Checked by:	Czech Technical University 
Bashar Alachkar	Ing. Malila Noori, Ph.D.	
Drawing: COMPOSITION OF LAYERS		1:100
Subject: 124BPRO - Bachelor Project		2019-2020