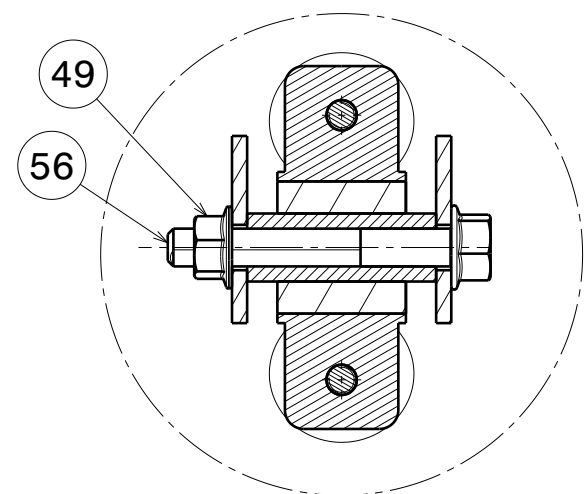
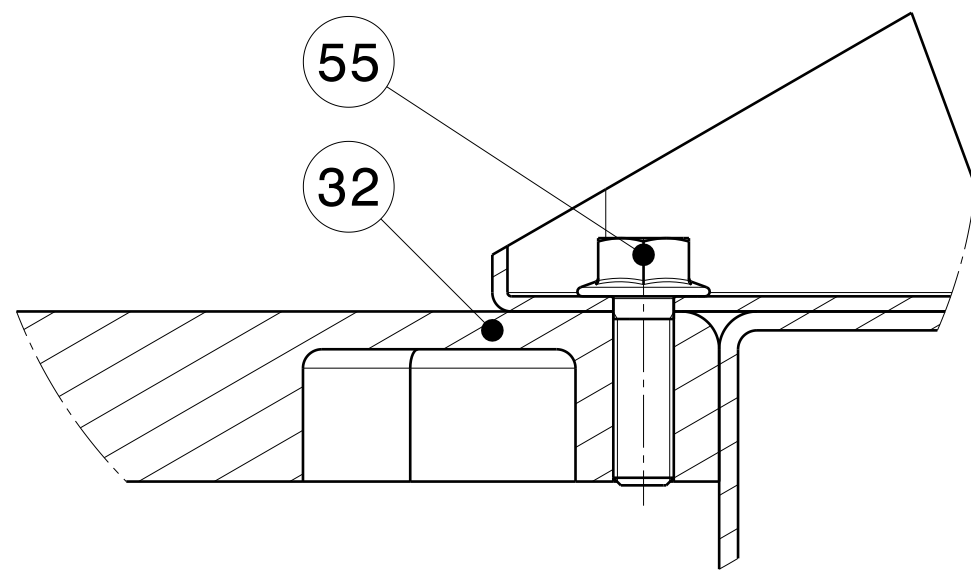


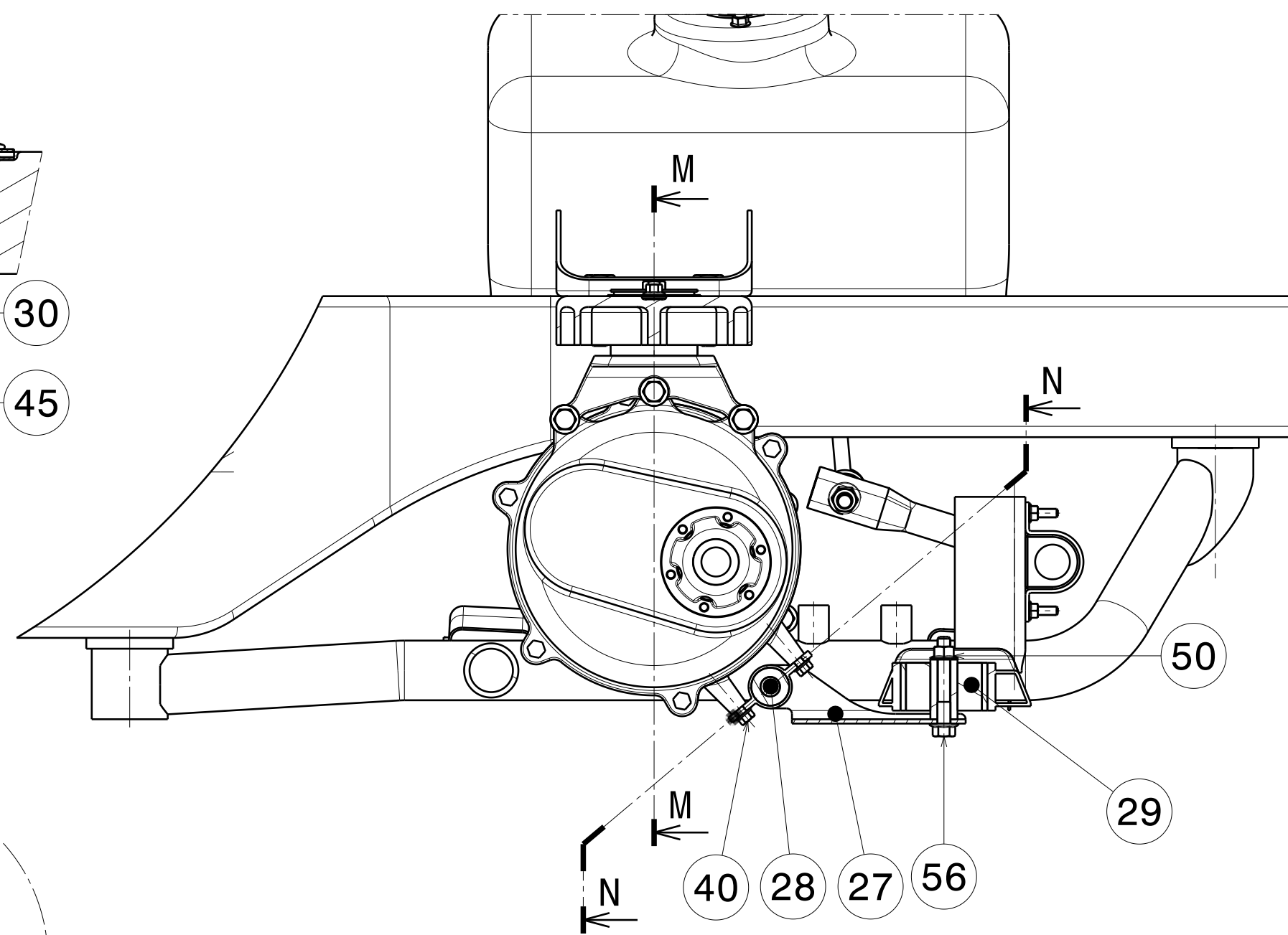
M-M (1:2)



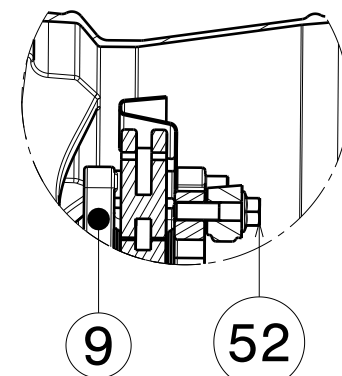
N-N (1:2)



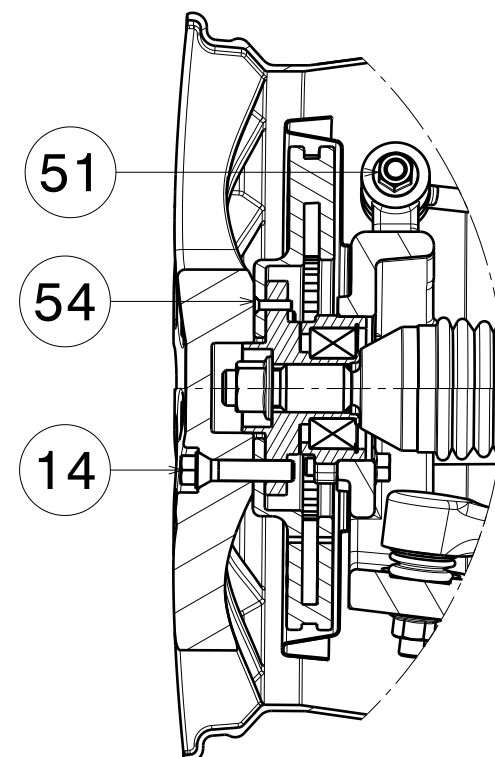
K-K (1:2)



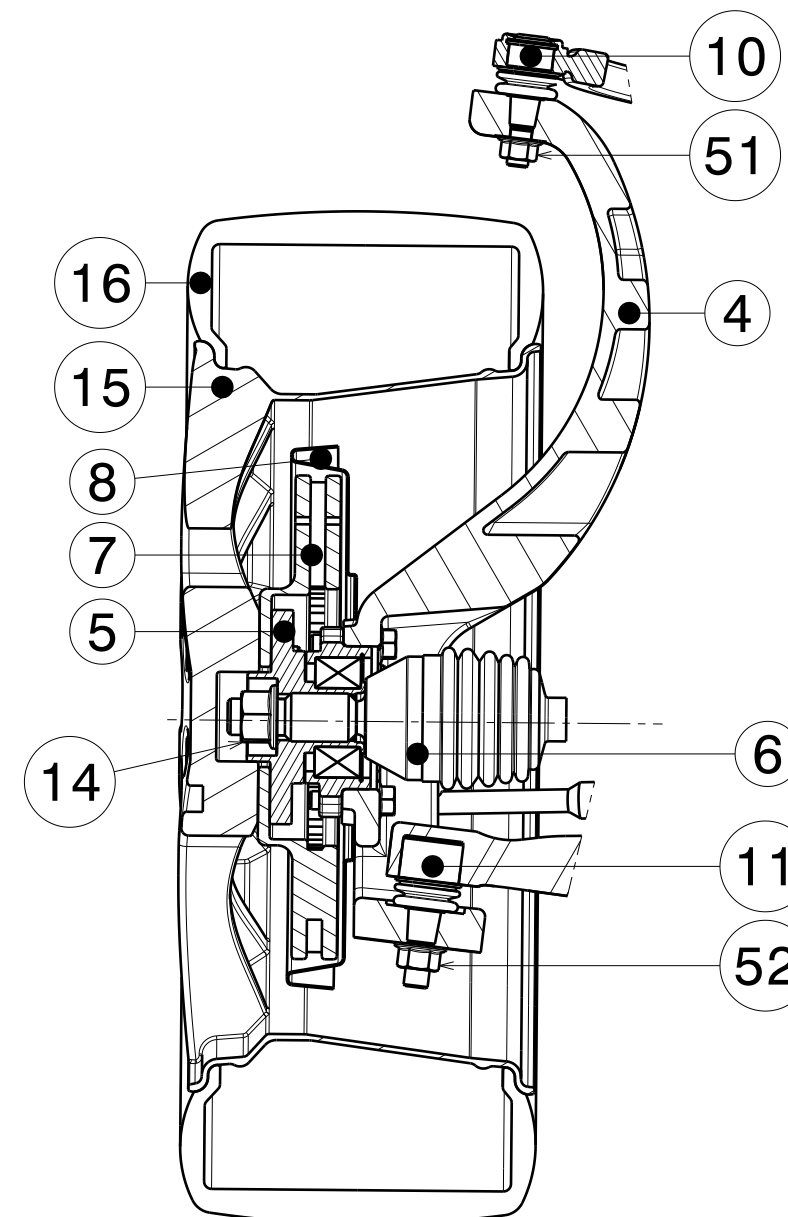
L-L



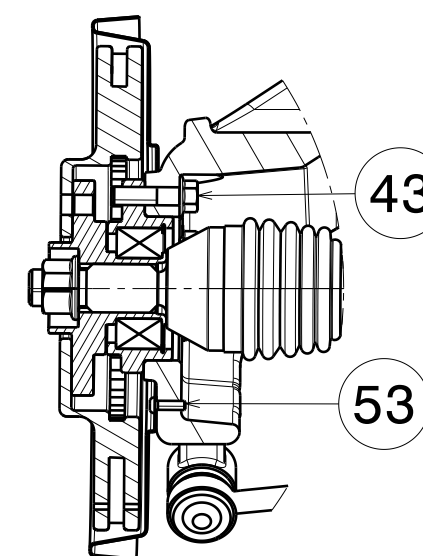
G-G



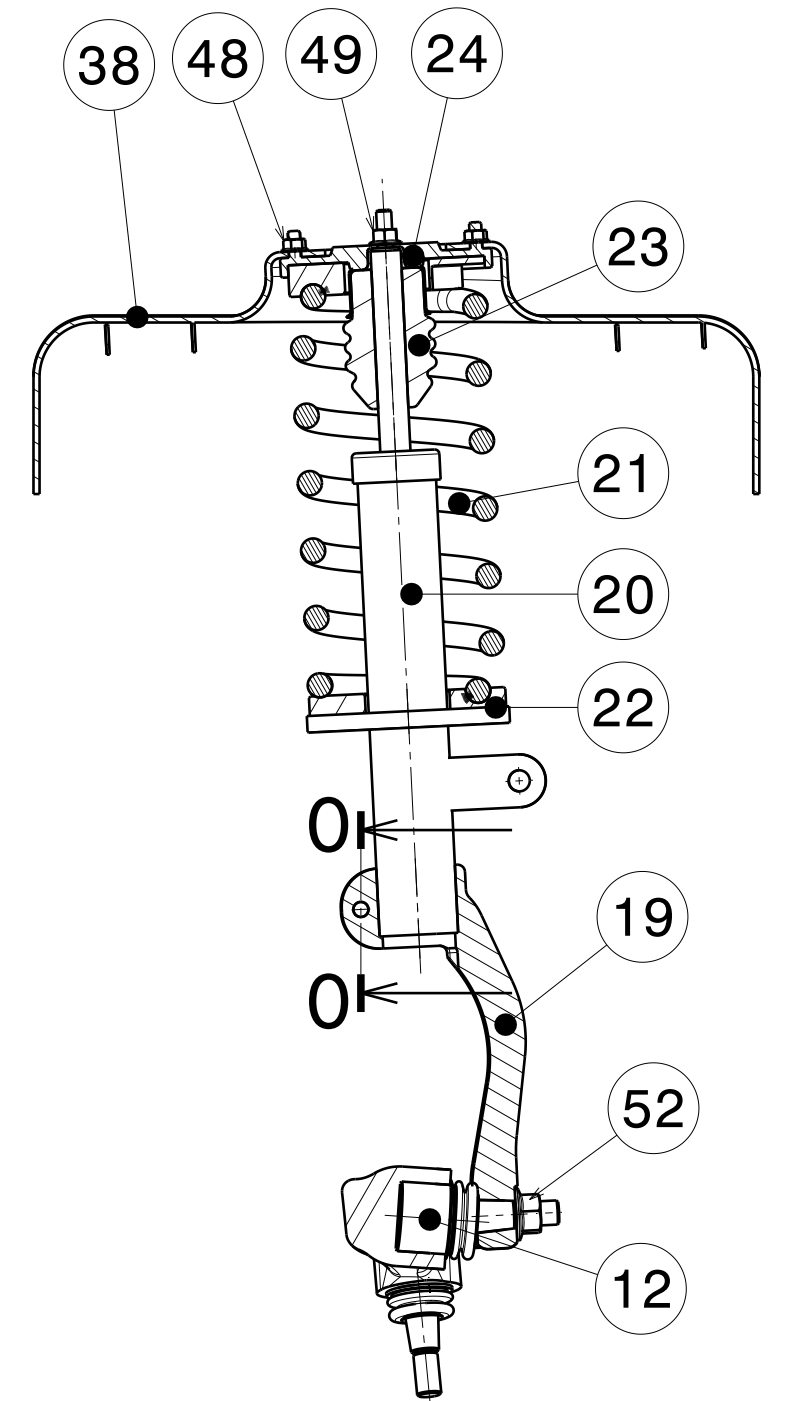
D-D



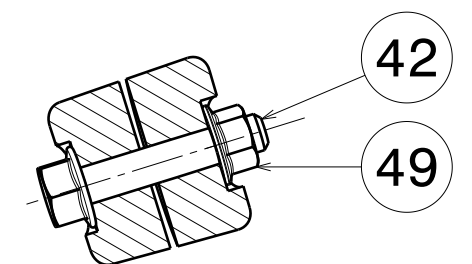
B-B



C-C



A-A



O-O (1:2)

		CVUT Fakulta strojní			
		DRAWING TITLE			
		FRONT AXLE			
DRAWN BY ONDICA	DATE 4/12/2019	SIZE A2	DRAWING NUMBER 00000 MAIN ASSEMBLY	REV X	
CHECKED BY XXX	DATE xxx	SCALE 1:10	WEIGHT(kg) -	SHEET 2/2	
DESIGNED BY XXX	DATE xxx				