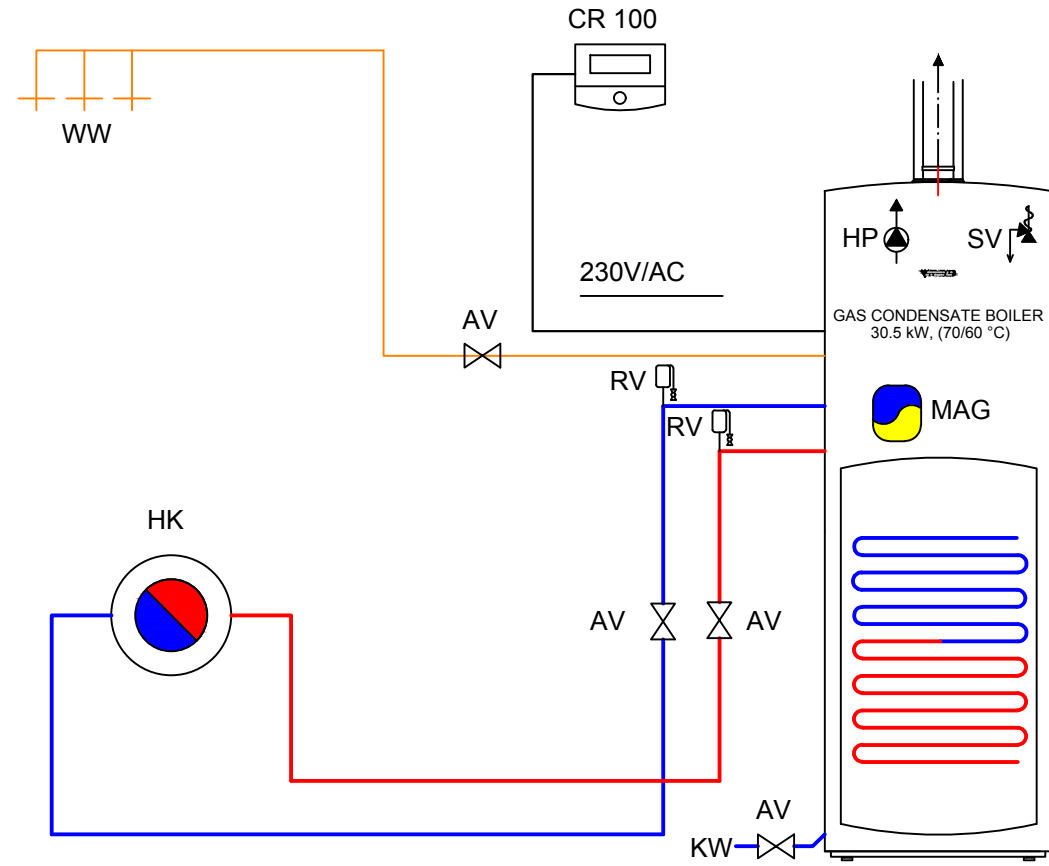


FRONT VIEW

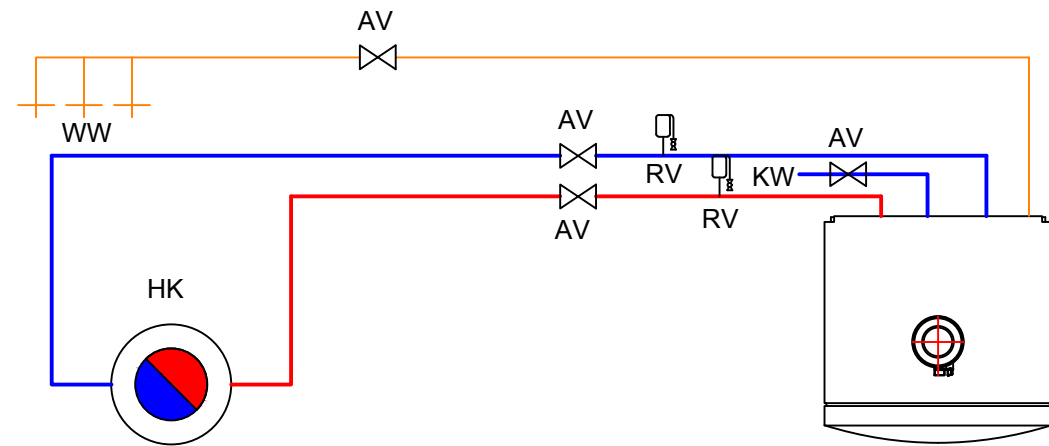



Gas condensation boiler	CerapurModul (ZBS30/150s-3MA)
Expansion vessel (embedded)	12 l
Hot water storage tank (embedded)	150 l

LEGEND:

- AV shut off valve
- HK heating circuit
- CR 100 regulator
- KW cold water inlet
- WW warm water outlet
- MAG expansion vessel
- SV safety valve
- F filter
- RV air valve
- HP circulation pump

TOP VIEW



Student Kristina Kubicova	Bachelor thesis supervisor doc. Ing. Michal Kabrhel, Ph.D.	Academic year 2018-2019	Faculty of civil engineering CTU 
Bachelor project - Department of Microenvironmental and Building Services Engineering			
Name: Heating and ventilation system design for villa house		Date	5/2019
Attachment: SCHEME OF BOILER CONNECTION		Scale	M 1:20
		Drawing No.	5