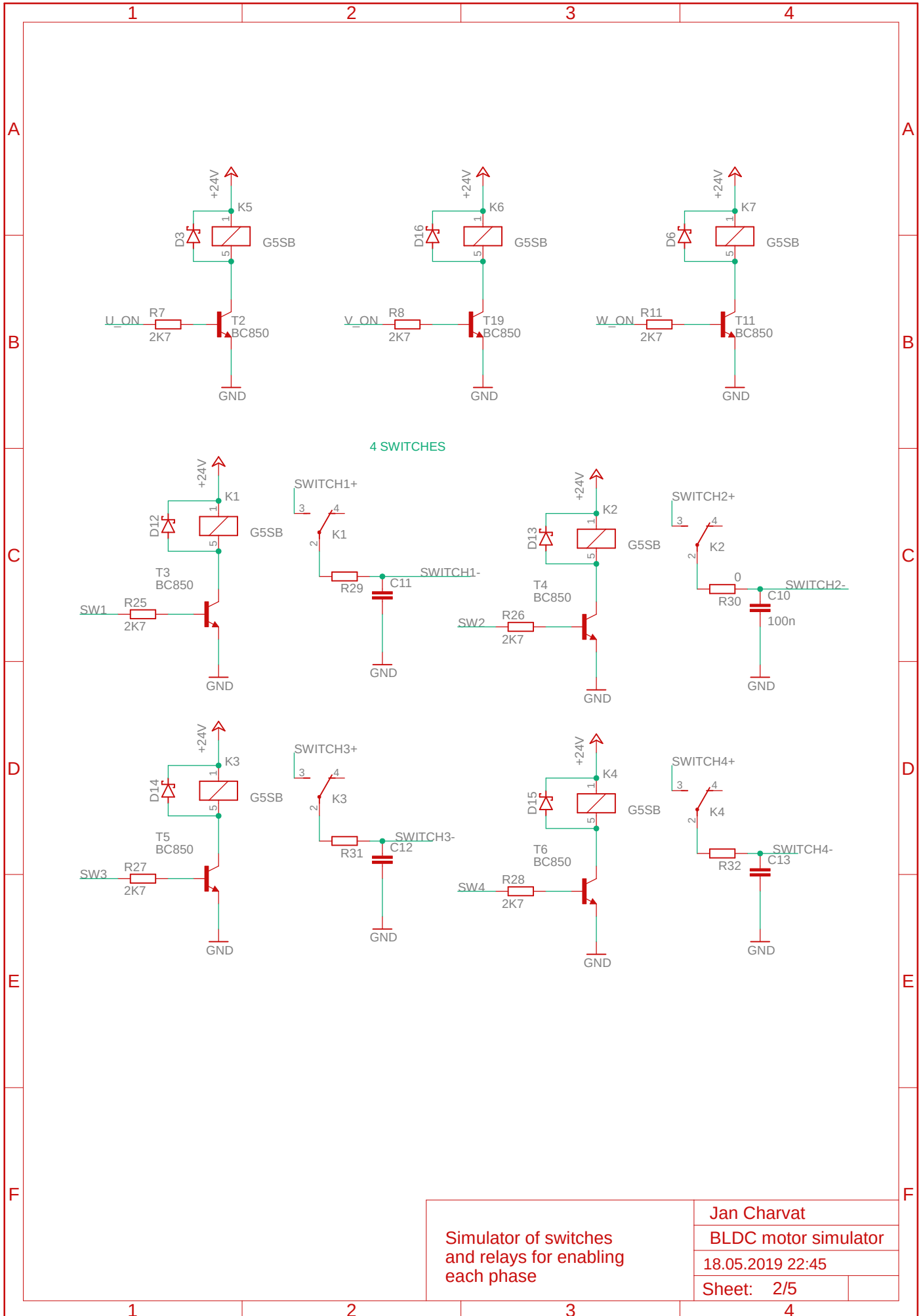


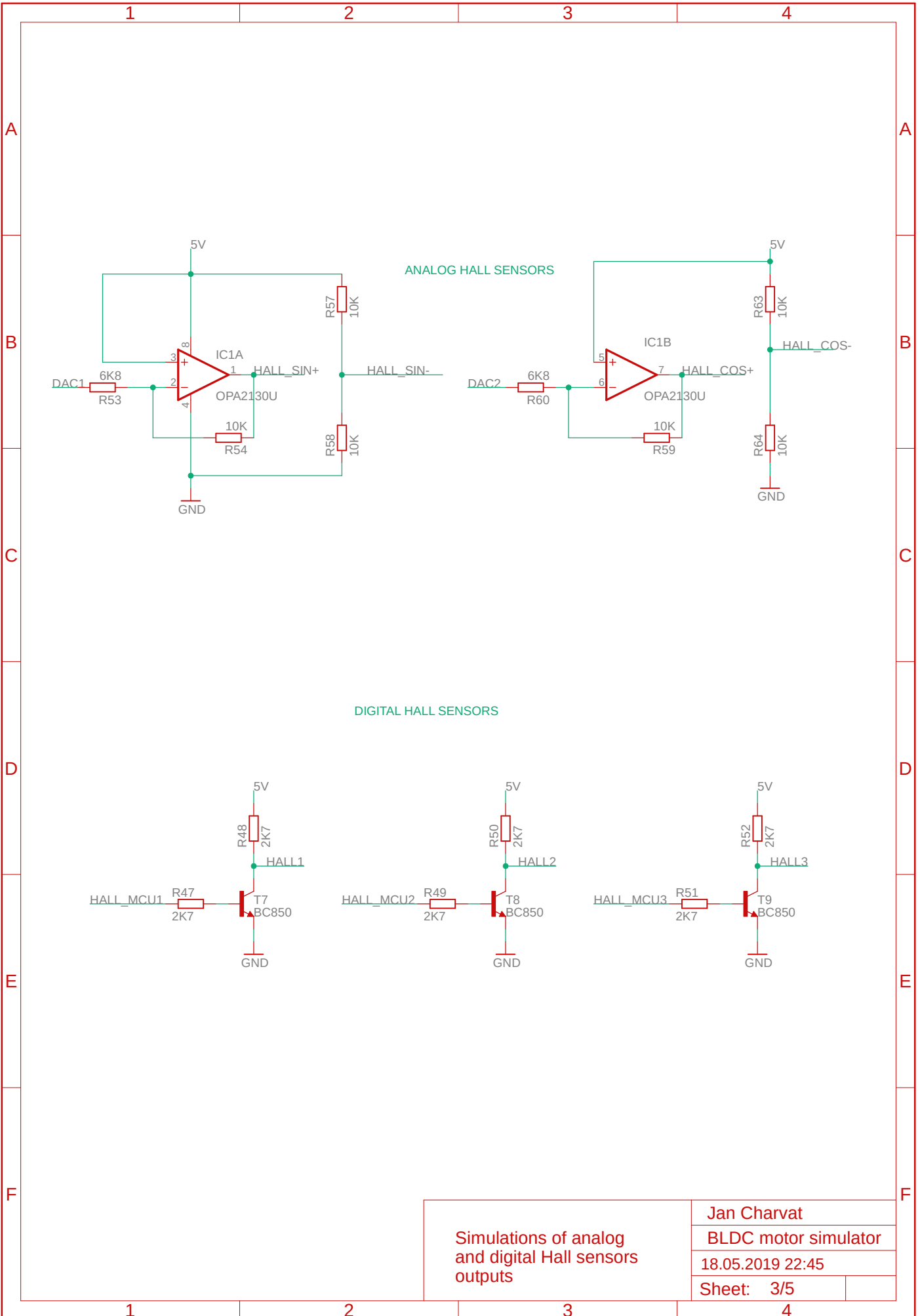
Power electronic part

Jan Charvat
 BLDC motor simulator
 18.05.2019 22:45
 Sheet: 1/5



Simulator of switches
and relays for enabling
each phase

Jan Charvat
BLDC motor simulator
18.05.2019 22:45
Sheet: 2/5



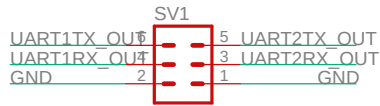
Simulations of analog
and digital Hall sensors
outputs

Jan Charvat
BLDC motor simulator
18.05.2019 22:45
Sheet: 3/5

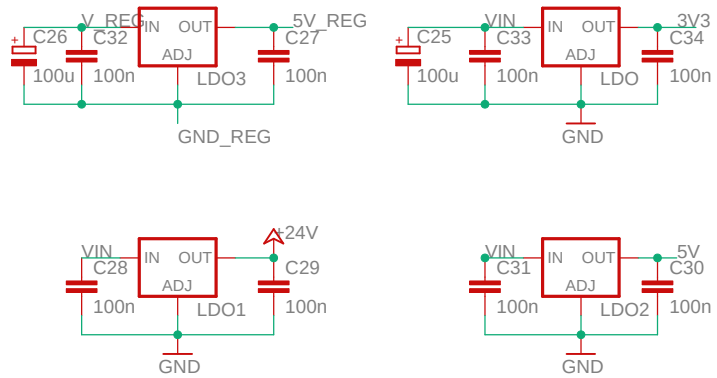
Same as power for regulator

- V_REG-1 V_REG
- V_REG-2 GND_REG
- L-1 U
- L-2 V
- L-3 W
- PE/N-1 PE
- PE/N-2 N
- HALL-1 HALL1
- HALL-2 HALL2
- HALL-3 HALL3
- HALL_SIN-1 HALL_SIN+
- HALL_SIN-2 HALL_SIN-
- HALL_COS-1 HALL_COS+
- HALL_COS-2 HALL_COS-
- SWITCH1-1 SWITCH1+
- SWITCH1-2 SWITCH1-
- SWITCH2-1 SWITCH2+
- SWITCH2-2 SWITCH2-
- SWITCH3-1 SWITCH3+
- SWITCH3-2 SWITCH3-
- SWITCH4-1 SWITCH4+
- SWITCH4-2 SWITCH4-
- POWER-1 VIN
- POWER-2 GND

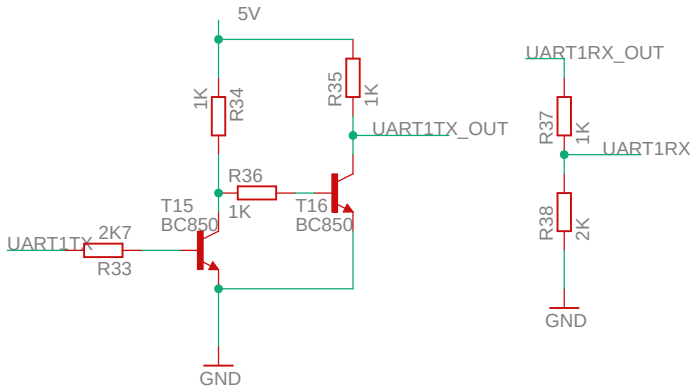
CONNECTIONS



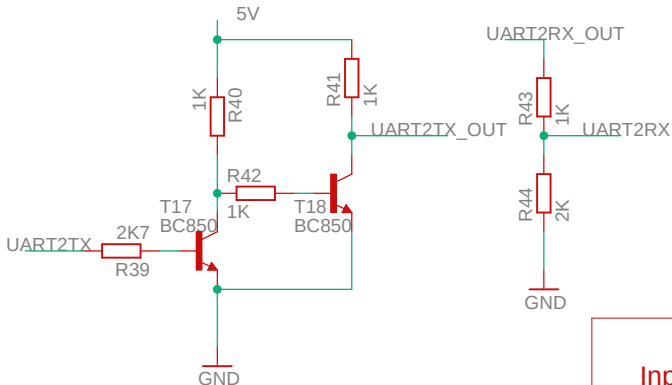
POWER SUPPLIES



UART1

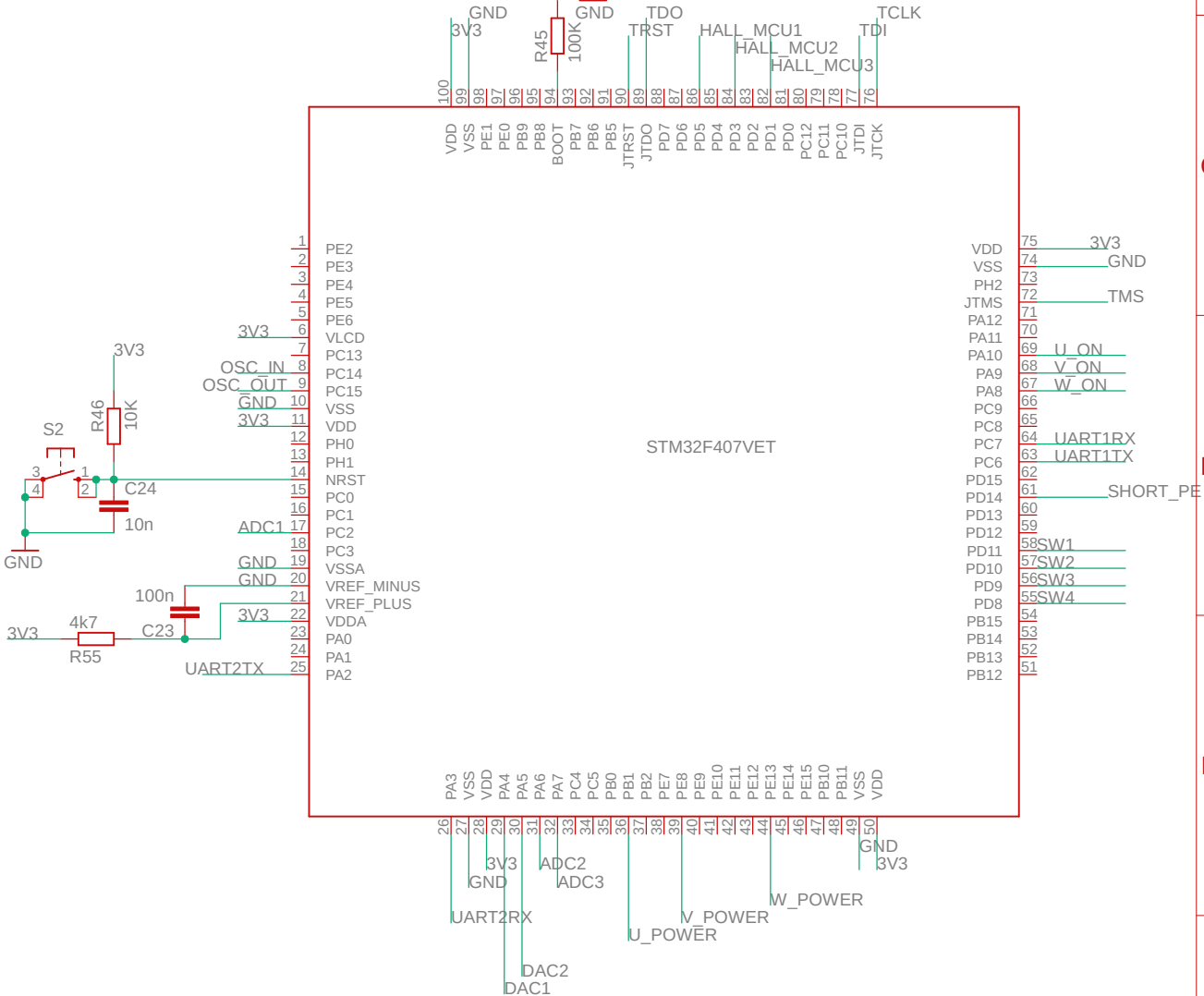
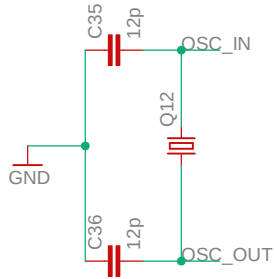
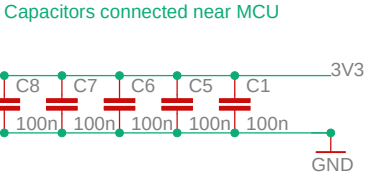
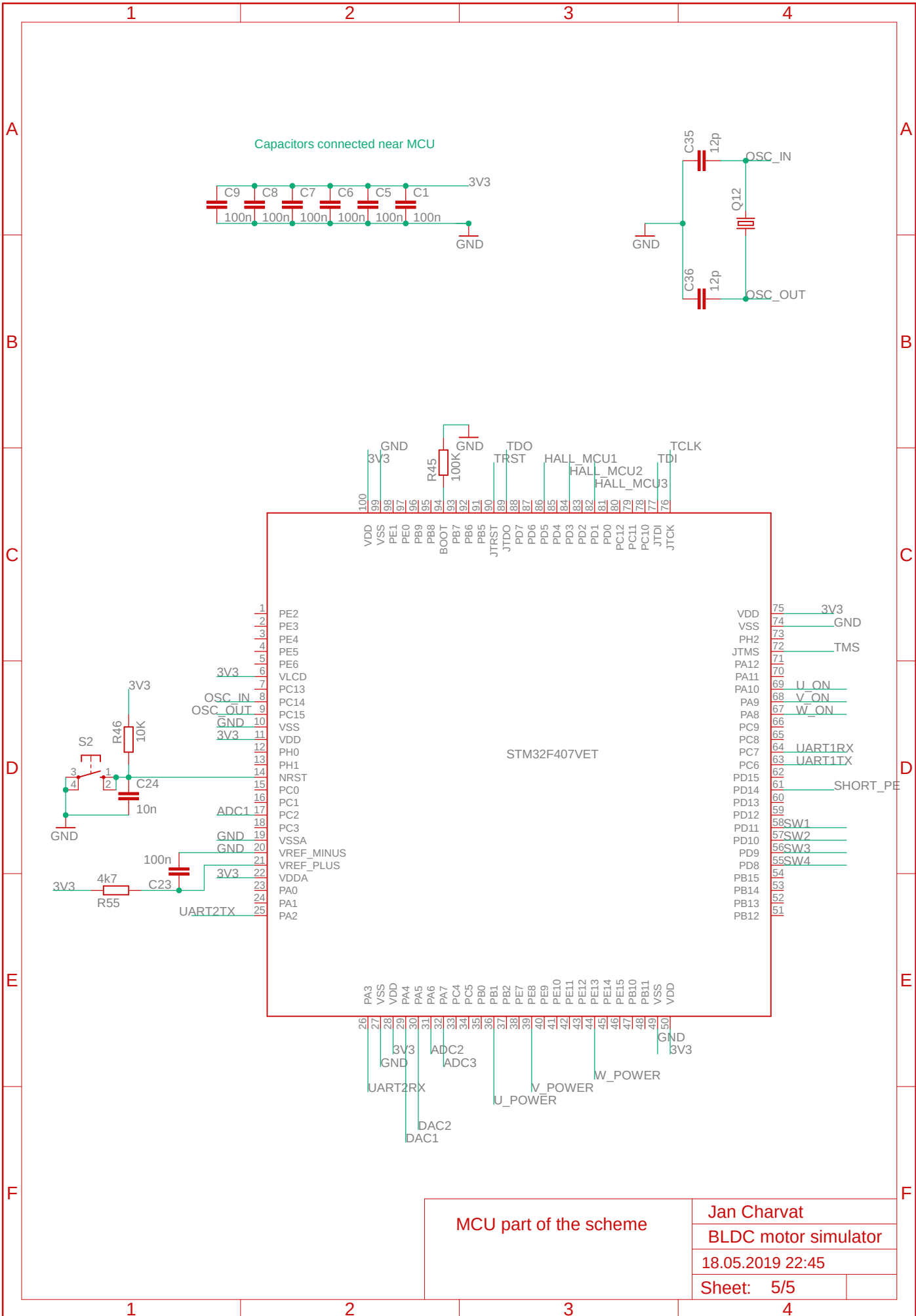


UART2



Inputs and outputs of the whole board (UART, JTAG, Power supply)

Jan Charvat
 BLDC motor simulator
 18.05.2019 22:45
 Sheet: 4/5



MCU part of the scheme	Jan Charvat	
	BLDC motor simulator	
	18.05.2019 22:45	
	Sheet:	5/5