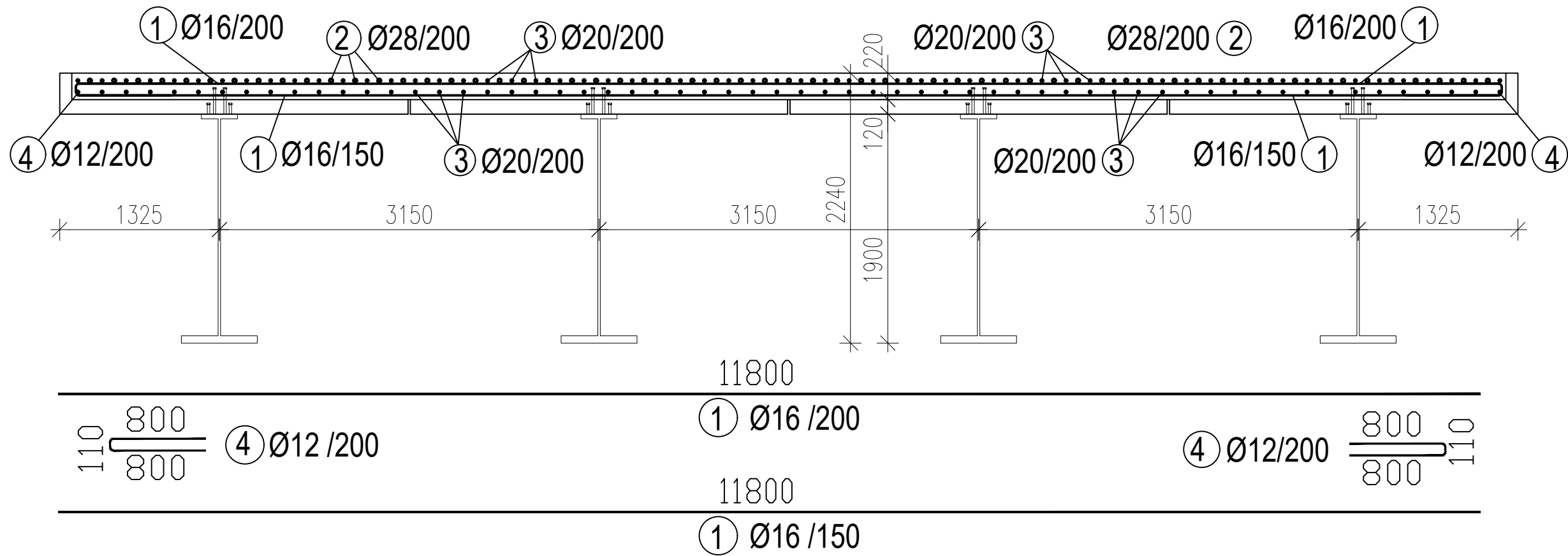


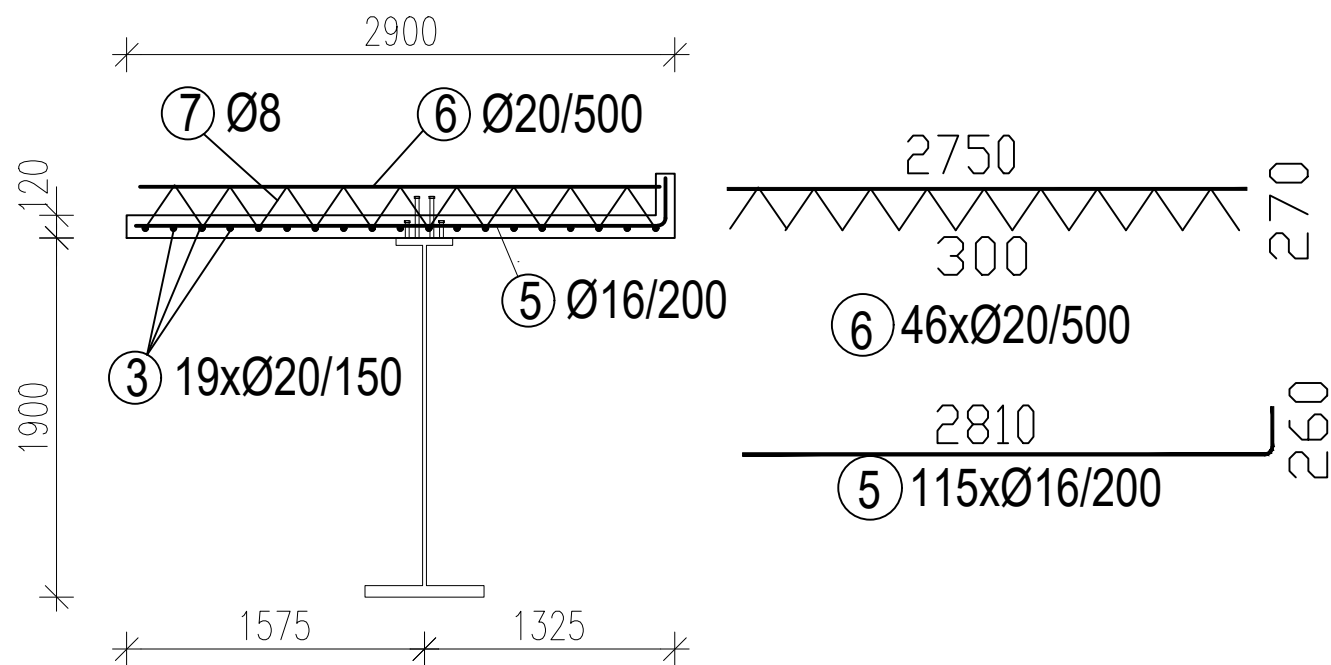
CROSS-SECTION B-B

M 1:40



CROSS-SECTION C-C

M 1:40



MATERIALS:

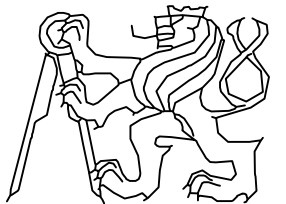
CAST-IN-SITU CONCRETE: C35/45- $\text{XC2}+\text{XD1}+\text{XF2}$

PRECAST CONCRETE: C50/60- $\text{XC2}+\text{XD1}+\text{XF2}$

STEEL REINFORCEMENT: B500B

STEEL S460

CONCRETE COVER: $C_{nom} = 40 \text{ mm}$

BRANCH:	DEPARTMENT:	STUDENT NAME	
D	K133-Department of Concrete and Masonry Structures	Bc. SAMAL GUBASHEVA	
YEAR:	CHECKED BY:		
2	PROF. ING. JAN L. VÍTEK, CSc.		
SUBJECT: MASTER THESIS		FORMAT:	A3
TASK: STEEL-CONCRETE COMPOSITE FLYOVER		SCALE:	1: 40
DRAWING: 6.REINFORCEMENT DRAWING - TRANSVERSE C/S.		DATE:	6.1.2019