

H G F E D C B A

4

4

3

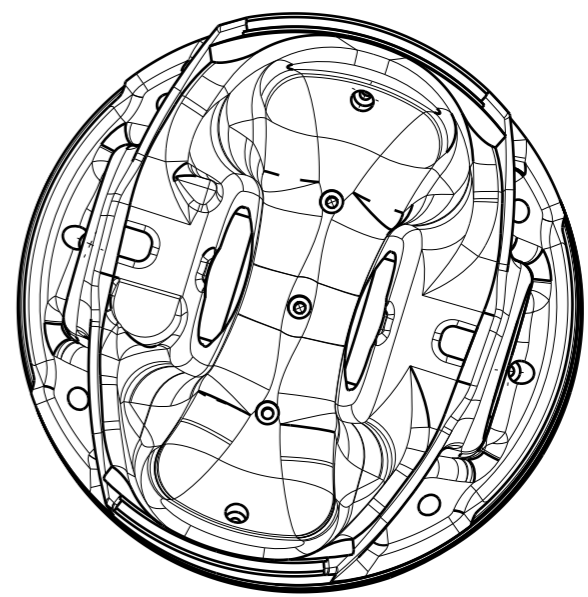
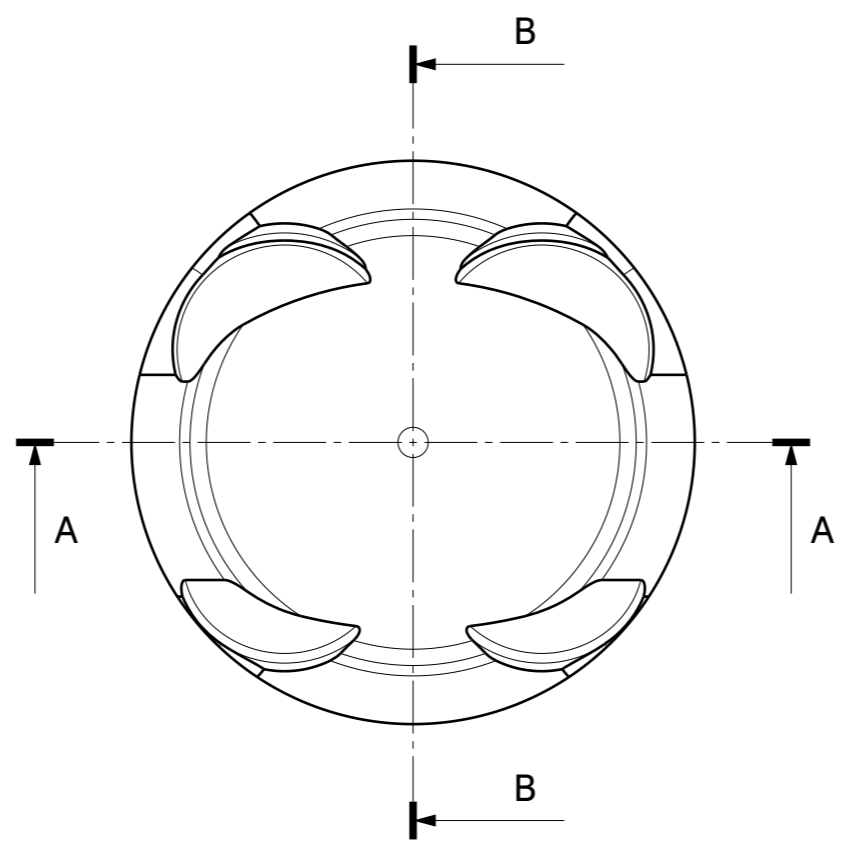
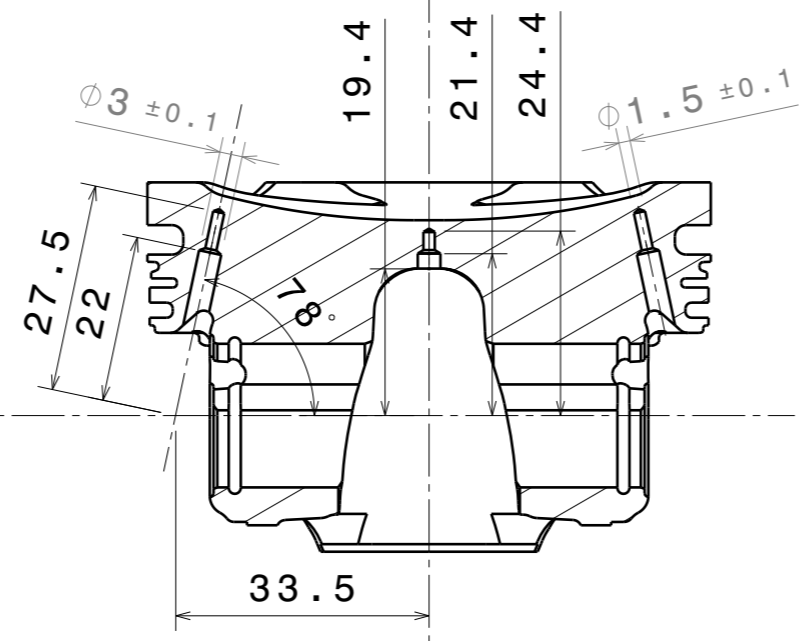
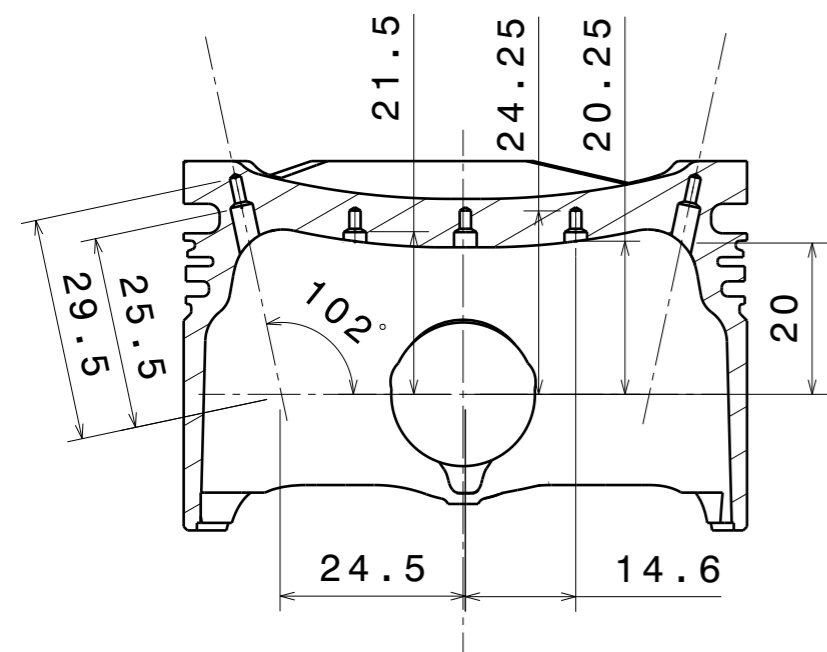
3

2

2

1

1



H G F E D C B A

DESIGNED BY: SUGESH	Thermocouple holes			I	-
DATE: 04/11/2018				H	-
CHECKED BY: XXX				G	-
DATE: XXX	E	-	F	-	
SIZE A3	DRAWING NUMBER XXX			D	-
SCALE 1:1				WEIGHT (kg) XXX	SHEET 1/1
This drawing is our property; it can't be reproduced or communicated without our written agreement.				B	-
				A	-