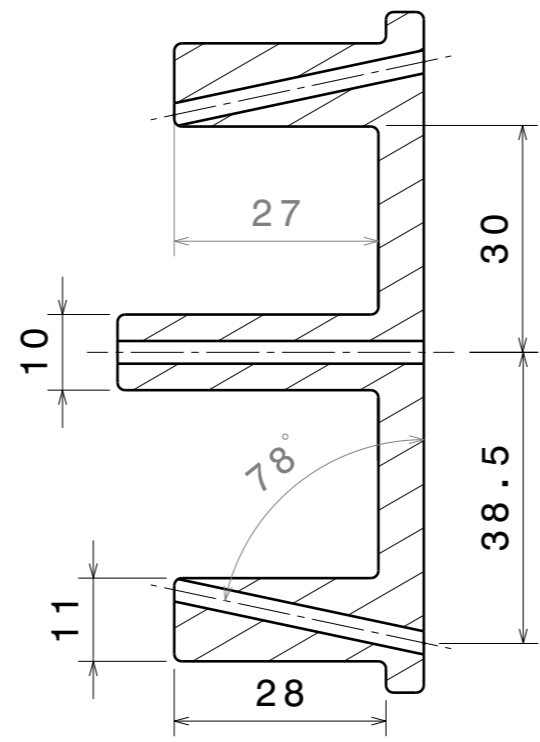
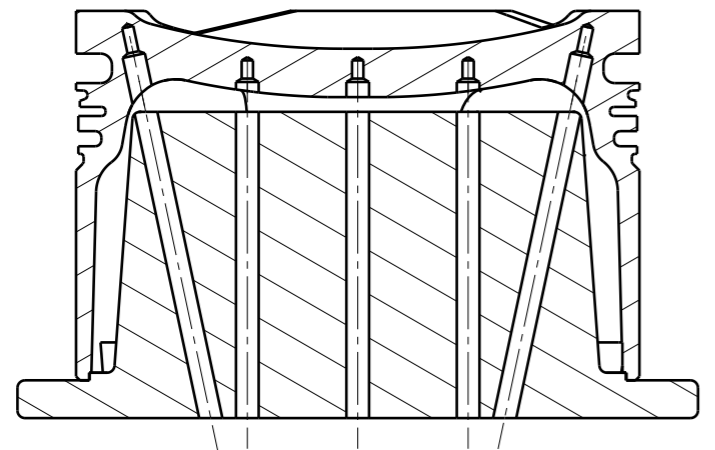
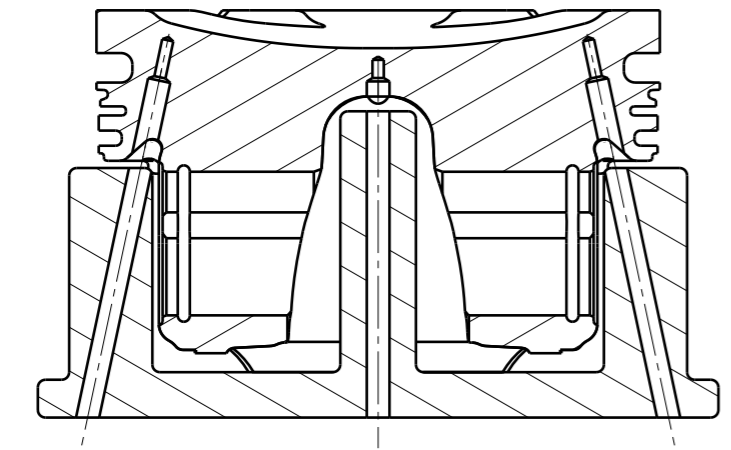
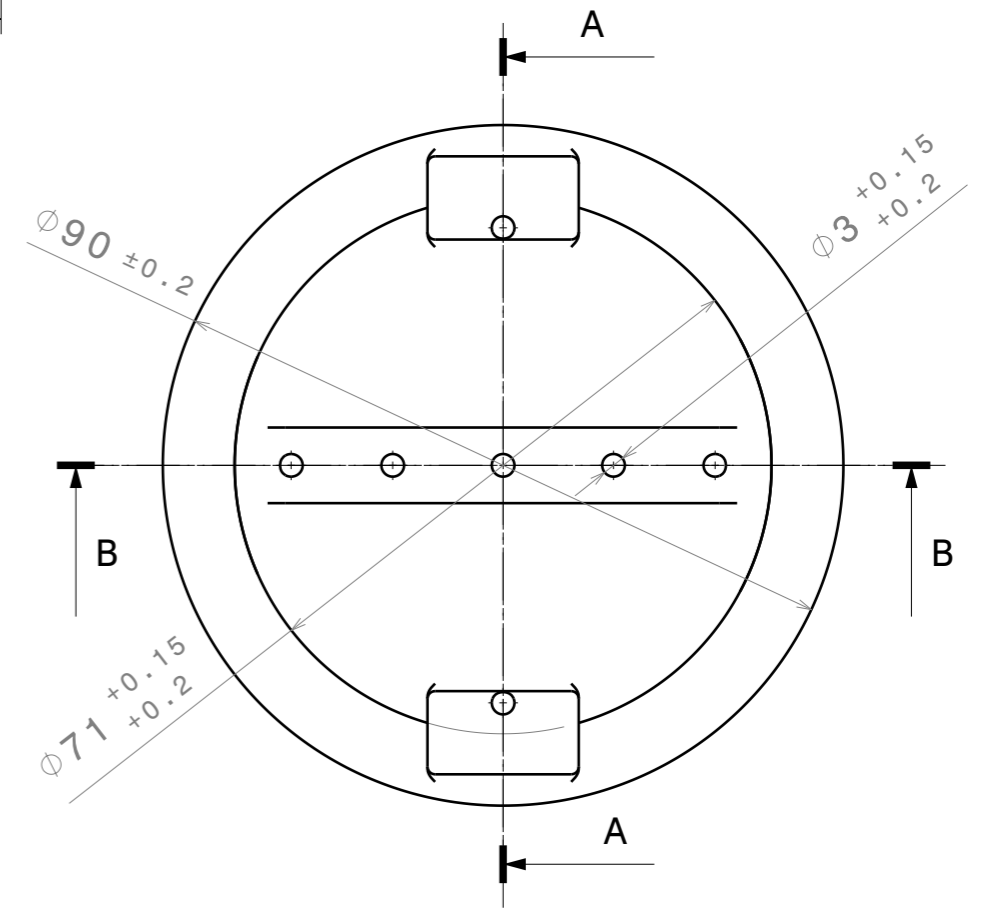


Section view B-B



Section view A-A



DESIGNED BY: SUGESH	<h1>Jig for Piston</h1>		I	-
DATE: 05/11/2018			H	-
CHECKED BY: XXX			G	-
DATE: XXX	<h1>Jig for Piston</h1>		F	-
SIZE: A3			E	-
SCALE: 1:1	WEIGHT (kg): XXX	DRAWING NUMBER: XXX	D	-
		SHEET: 1/1	C	-
This drawing is our property; it can't be reproduced or communicated without our written agreement.			B	-
			A	-