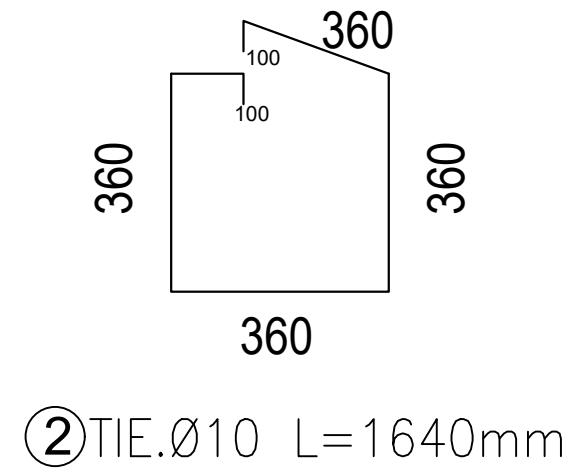
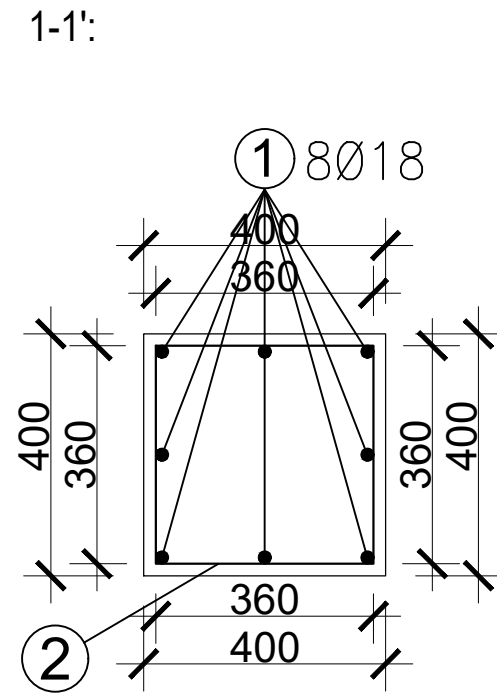



① Ø18 L = 4255mm

① Ø18 L = 4255mm

① Ø18 L = 4255mm

4255



Designed by:	Supervisor:	Czech Technical University 
Madina Zharas	Ing. Petr Bílý, Ph.D.	
Drawing: COLUMN REINFORCEMENT	1:25	
Project: BACHELOR THESIS - OFFICE BUILDING	2018-2019	