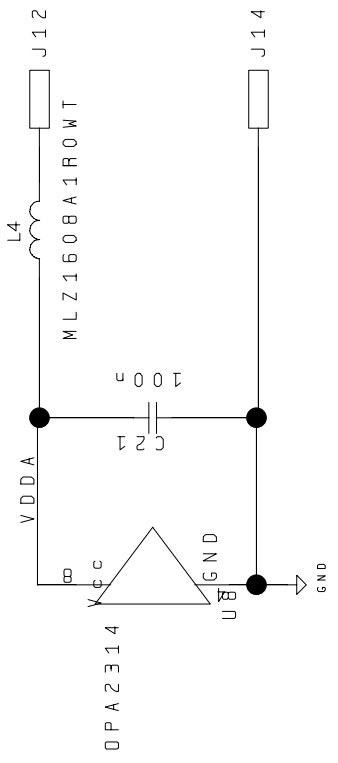
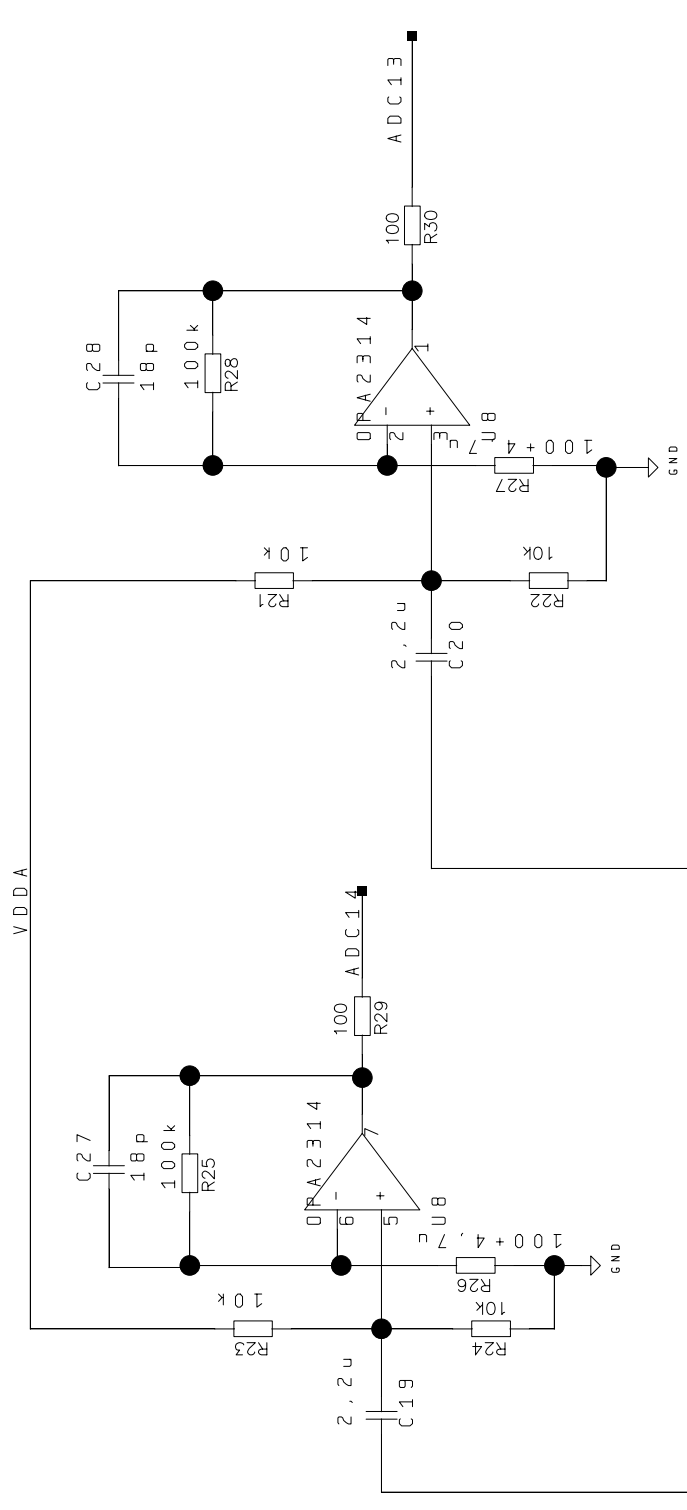


PIN 1x2 SMD
RST_5MD

PIN 1x2 SMD
RST_5MD



TITLE

Schematic2

SIZE DWG NO

A3

SCALE

SHEET 2 of 3

2

REV

0

DRAWN BY <YOUR NAME HERE>

3

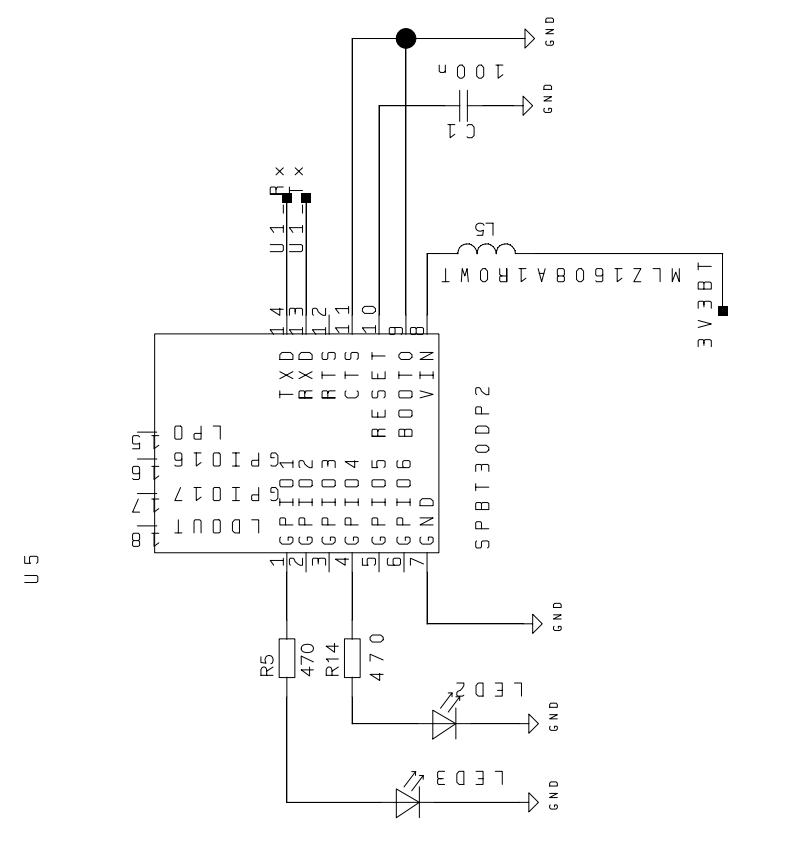
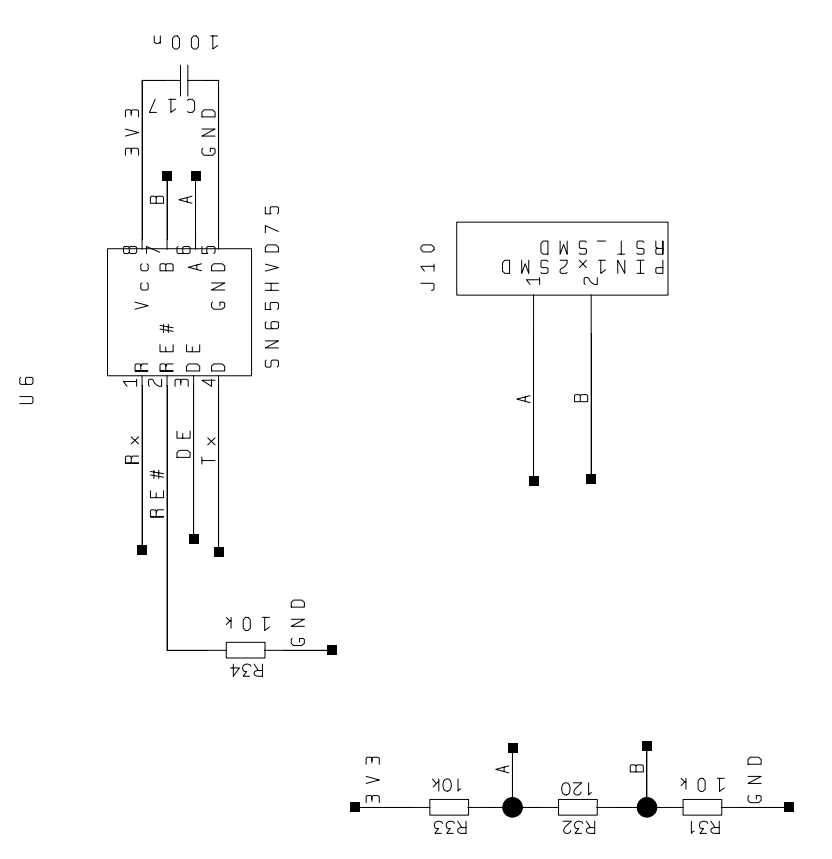
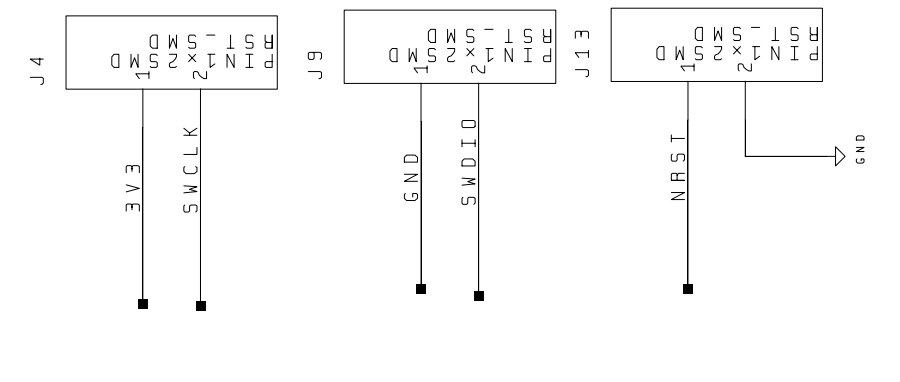
4

5

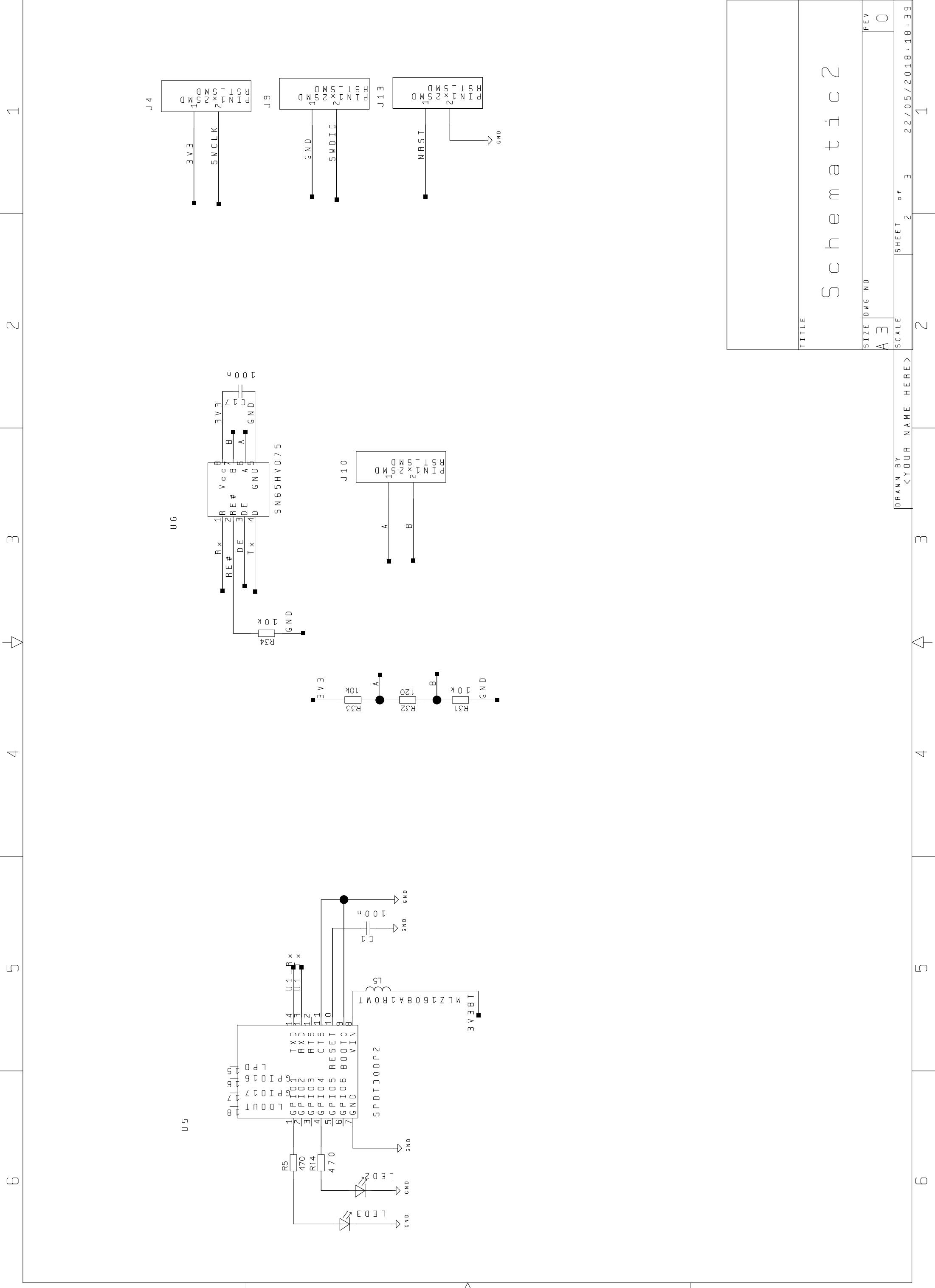
6

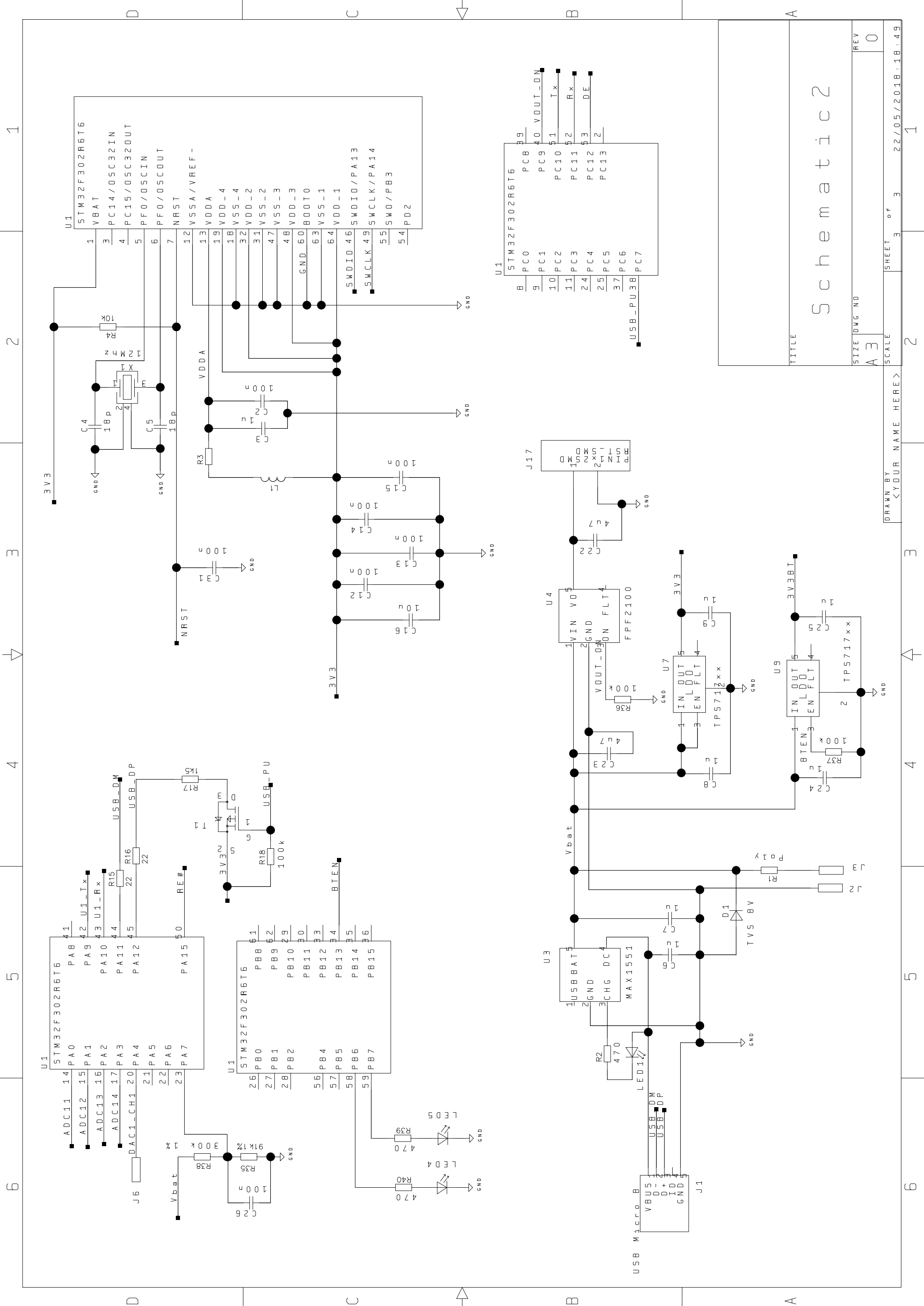
22/05/2018:18:37

1



TITLE		Schematic2	
SIZE	DWG NO	SCALE	REV
A3		2	0
DRAWN BY <YOUR NAME HERE>		SHEET 2 of 3	22/05/2018:18:39





TITLE	Schematic 2	
SIZE	DWG NO	REV
A3		0
SCALE	SHEET 3 of 3	22/05/2018:18:49

1 2 3 4 5 6

D C B A

DRAWN BY <YOUR NAME HERE> 2 3 4 5 6