

TITLE
A3 SHEET

SIZE DWG NO
A3

SHEET 1 of 2

DATE 07/02/2017.20.45

REV 0

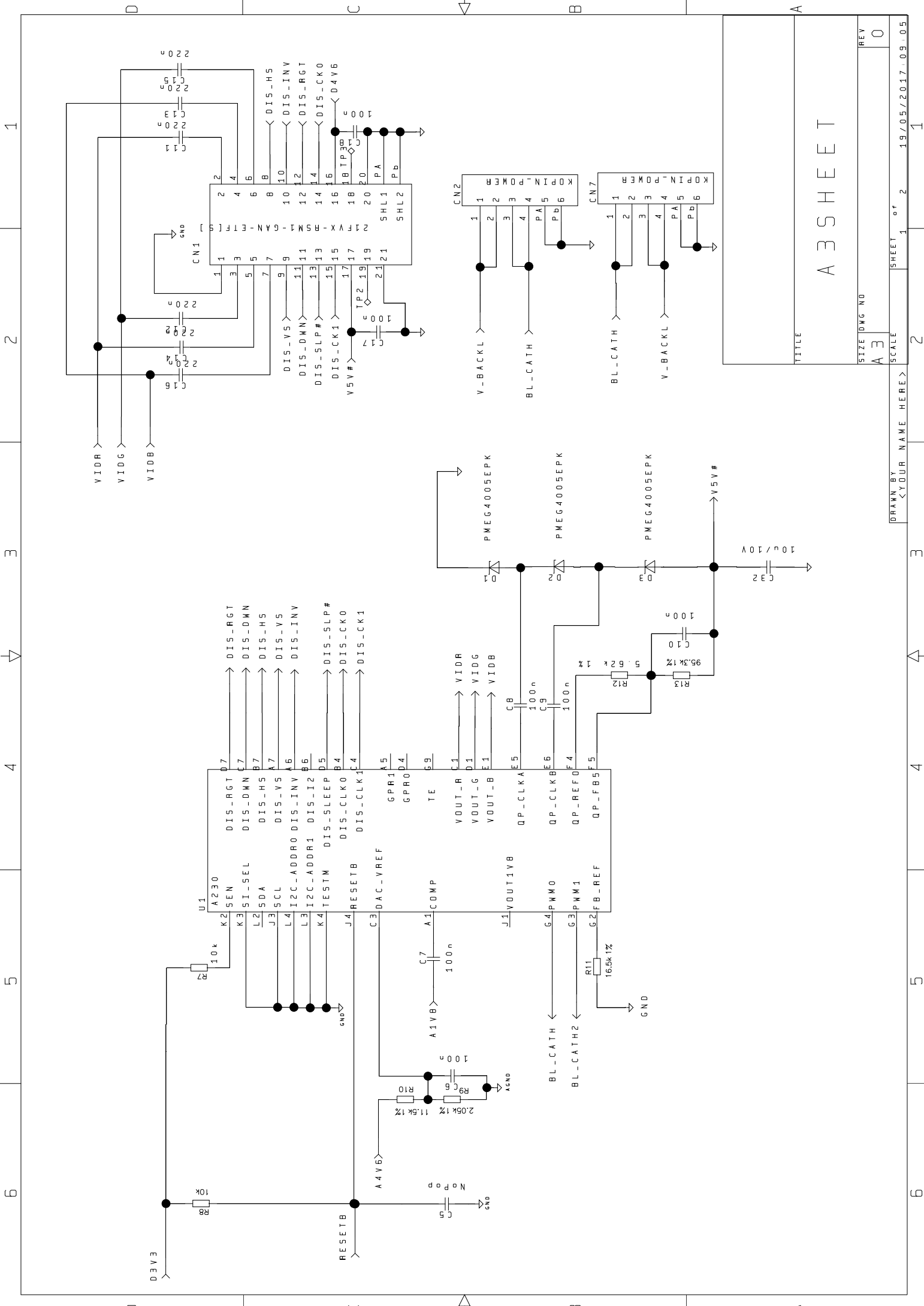
DRAWN BY
<YOUR NAME HERE>

3

4

5

6



1 2 3 4 5 6

D C B A

REV 0

SIZE DWG NO A3

SCALE 1 of 2

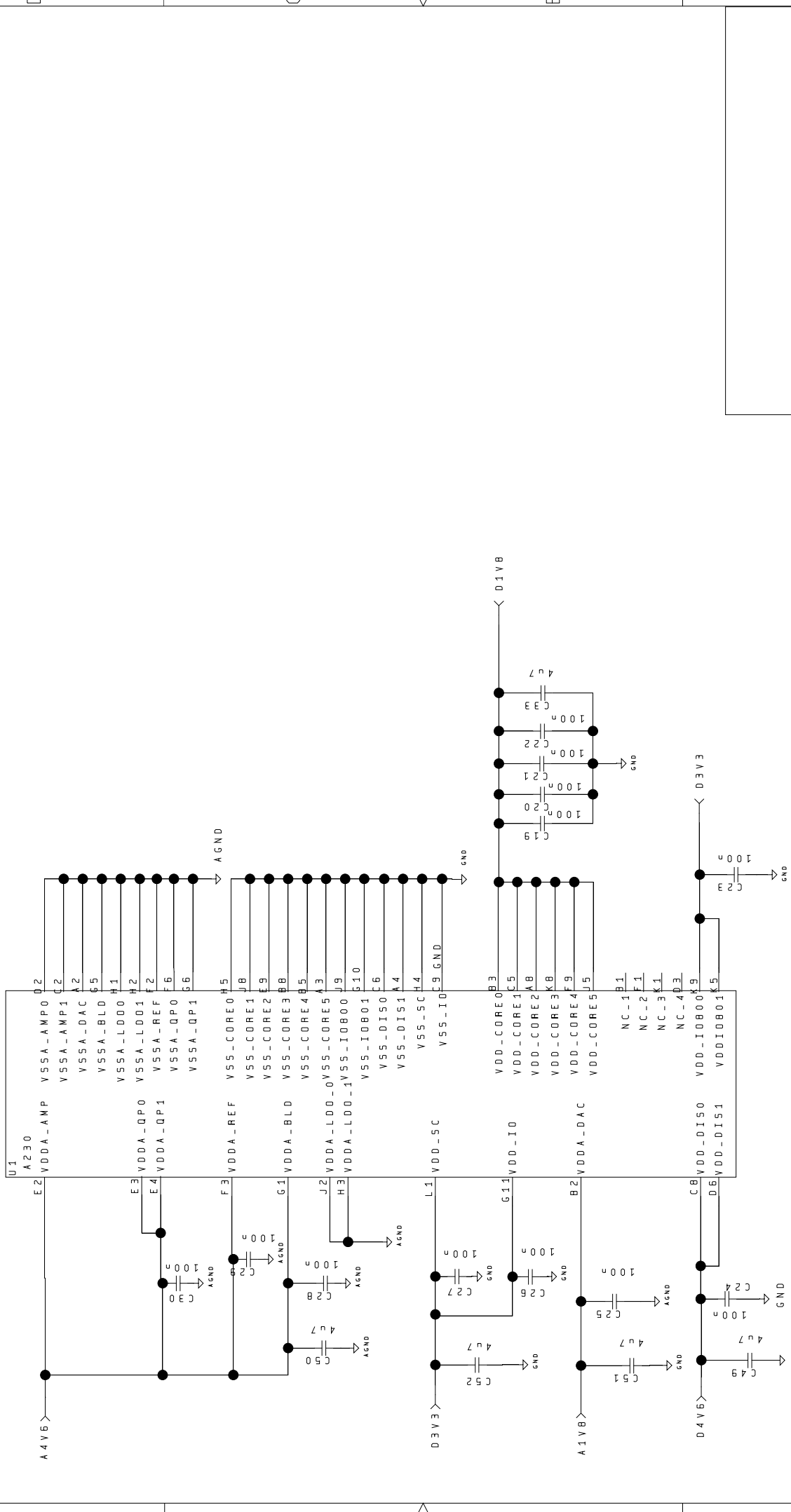
SHEET 1 of 2

DRAWN BY <YOUR NAME HERE>

19/05/2017.09.05

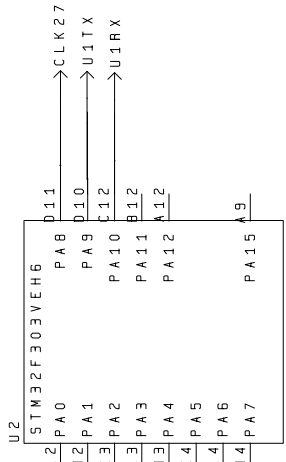
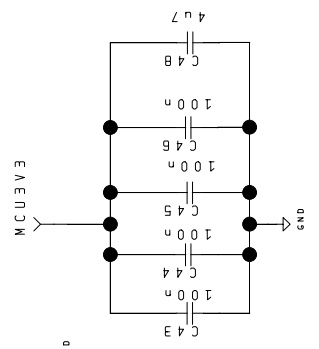
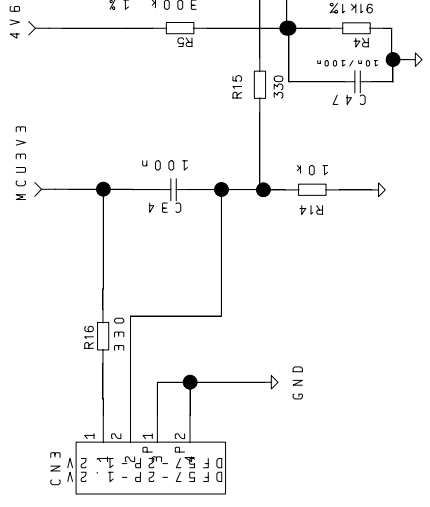
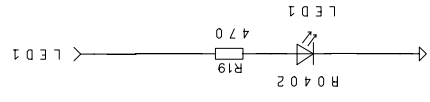
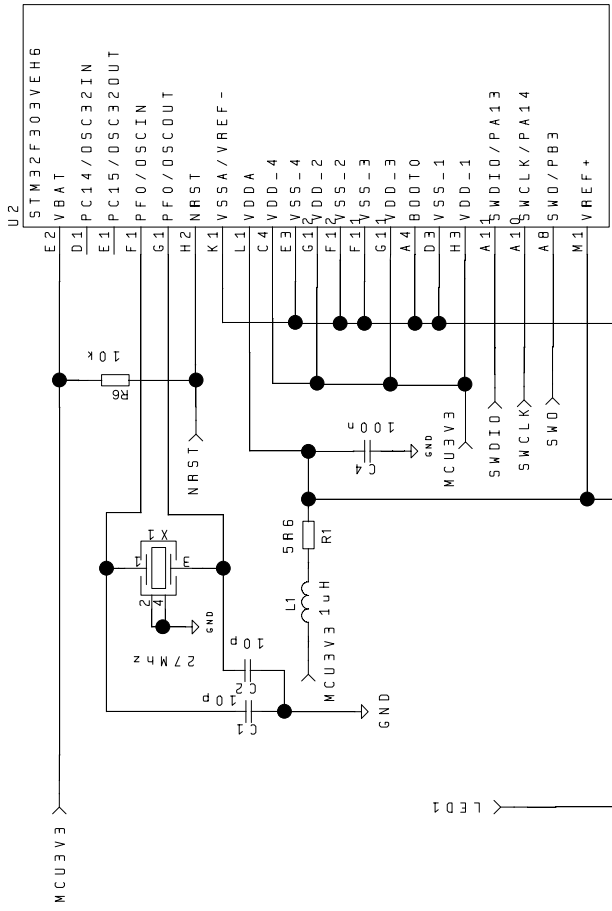
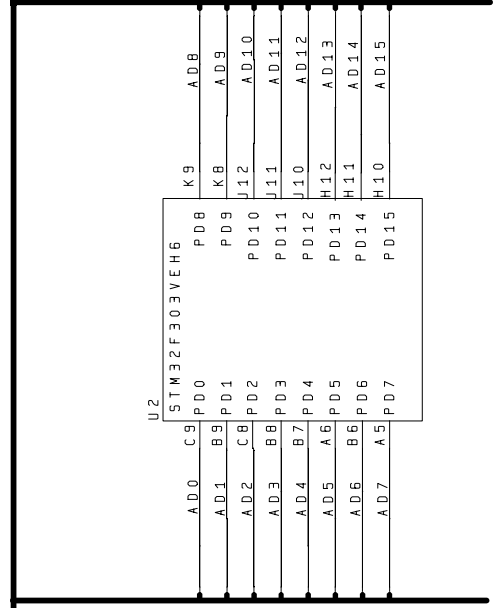
TITLE

A3 SHEET

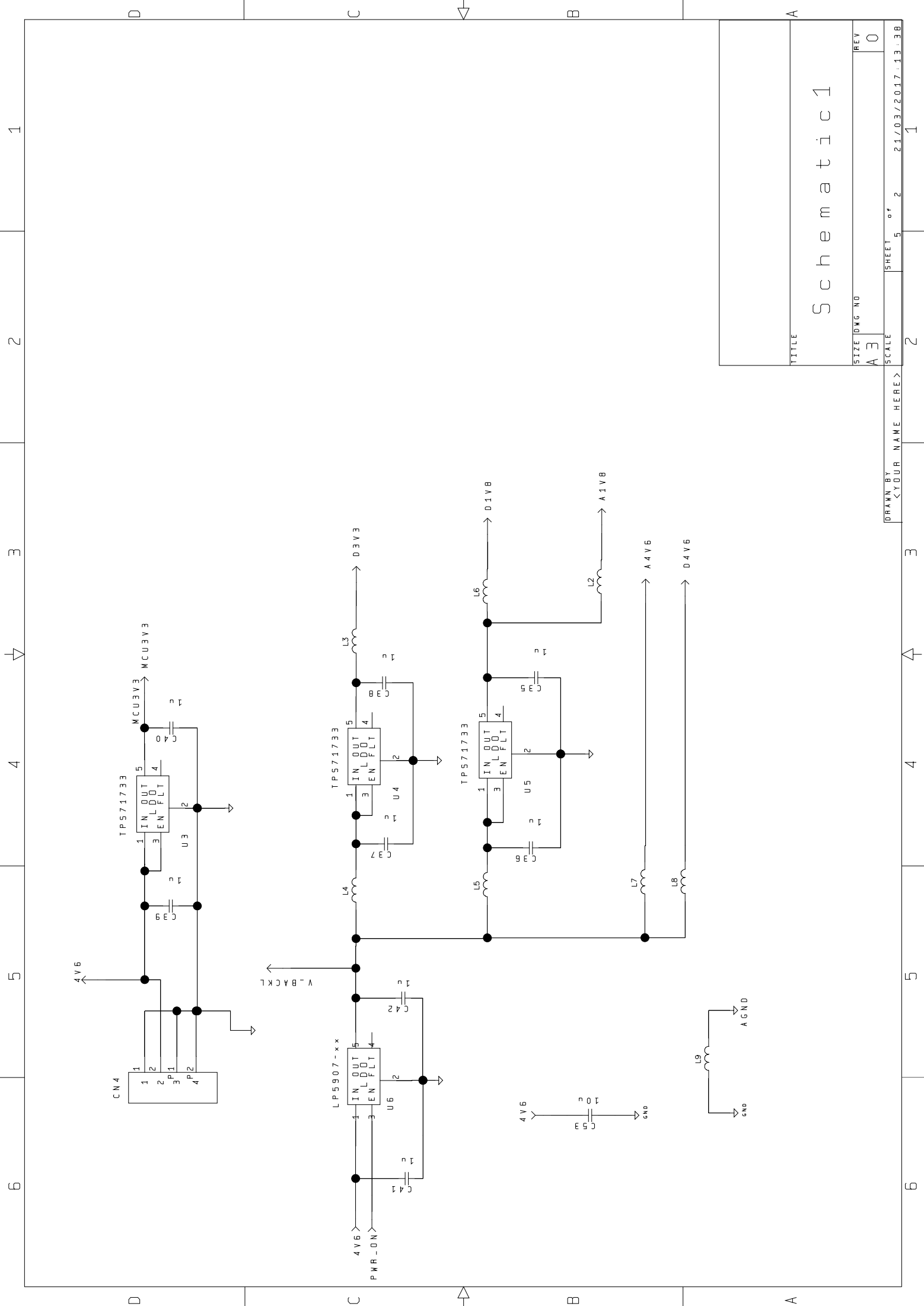


TITLE	A3 SHEET	
SIZE	A3	
DWG NO		
SCALE		
DRAWN BY	<YOUR NAME HERE>	
SHEET	1	of 2
DATE	28/02/2017 .19.53	

AD[0..15]

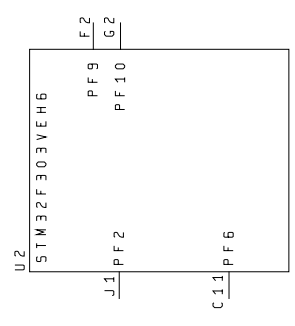
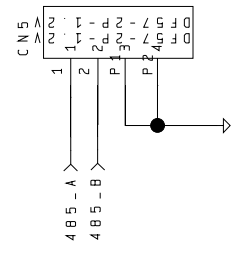
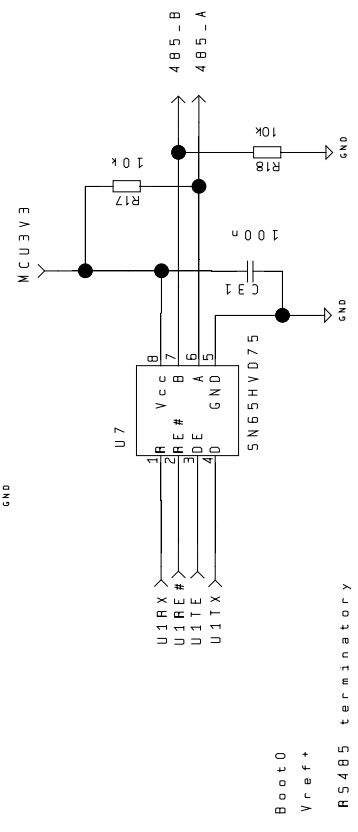
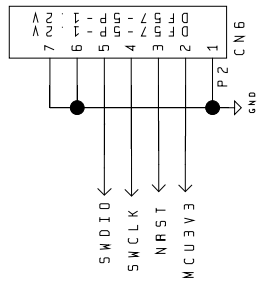
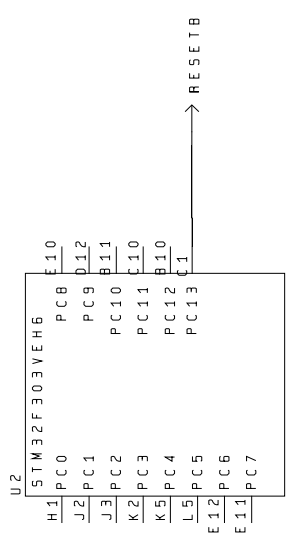
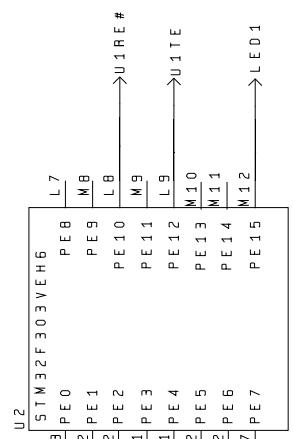
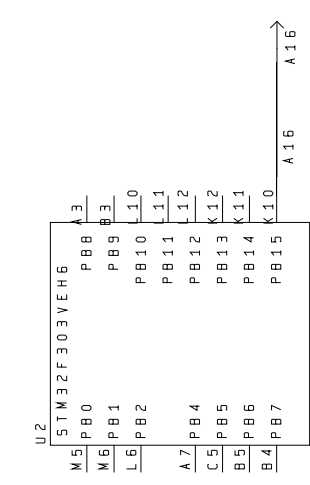


TITLE	A3 SHEET
SIZE	A3
SCALE	1 of 2
SHEET	1
DATE	19/05/2017
REV	0



Schematic

TITLE	Schematic		
SIZE	A3	DWG NO	
SCALE	1	SHEET	5 of 2
DRAWN BY	<YOUR NAME HERE>	DATE	21/03/2017-13-3B



Boot0
 Vref+
 RS485 terminatory
 Ekvaiizace medi

TITLE
 A3 SHEET