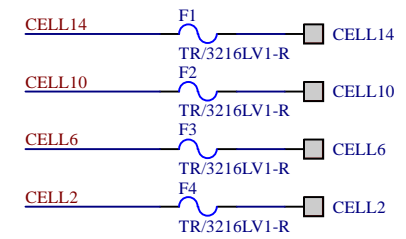
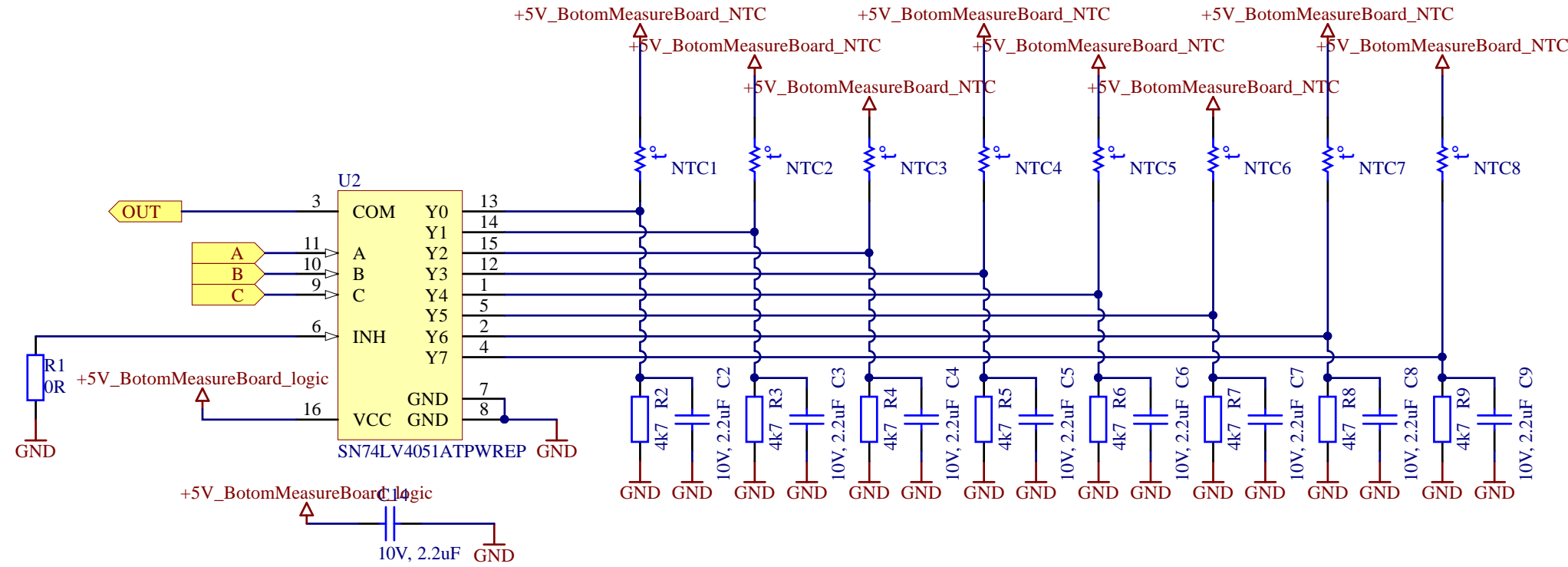



nahradit konektory pajecimi ploskami



Name: BottomMeasureBoard BottomMeasureBoard_main	
Author: Jan Mánek	Version: 1
Date: 22. 5. 2018	Sheet 1 of 2
File: BottomMeasureBoard.SchDoc	





Name: <b>BottomMeasureBoard</b> 8 temps multiplexer		
Author: <b>Jan Mánek</b>	Version: <b>1</b>	
Date: <b>22. 5. 2018</b>	Sheet <b>2</b> of <b>2</b>	
File: <b>8_temps_MUX.SchDoc</b>		

