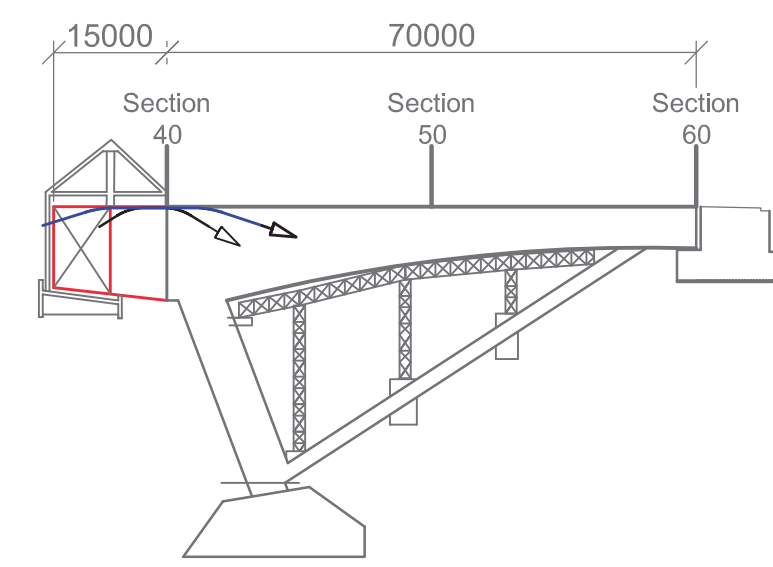
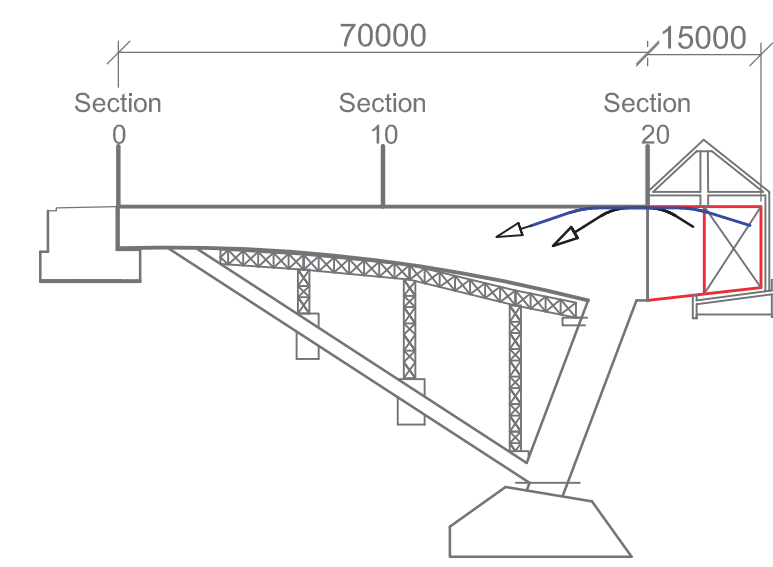
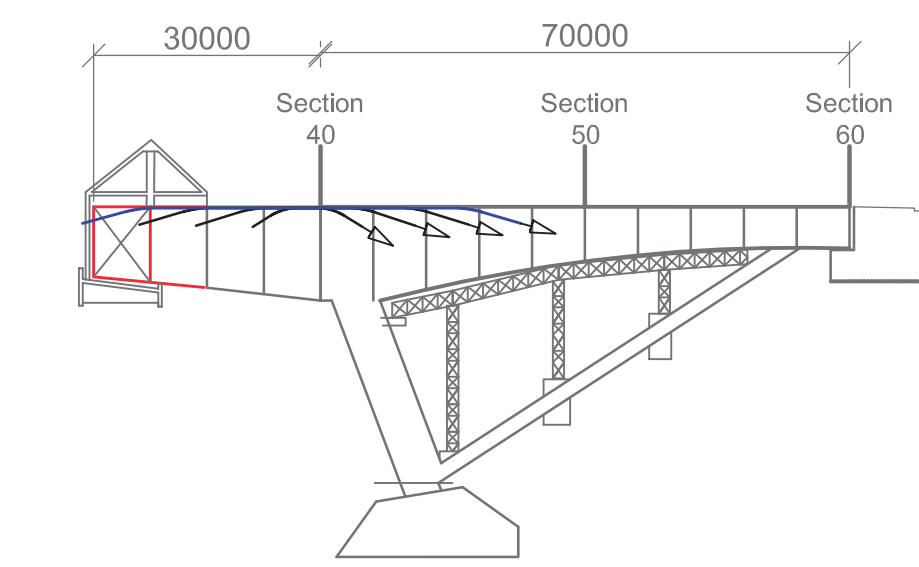
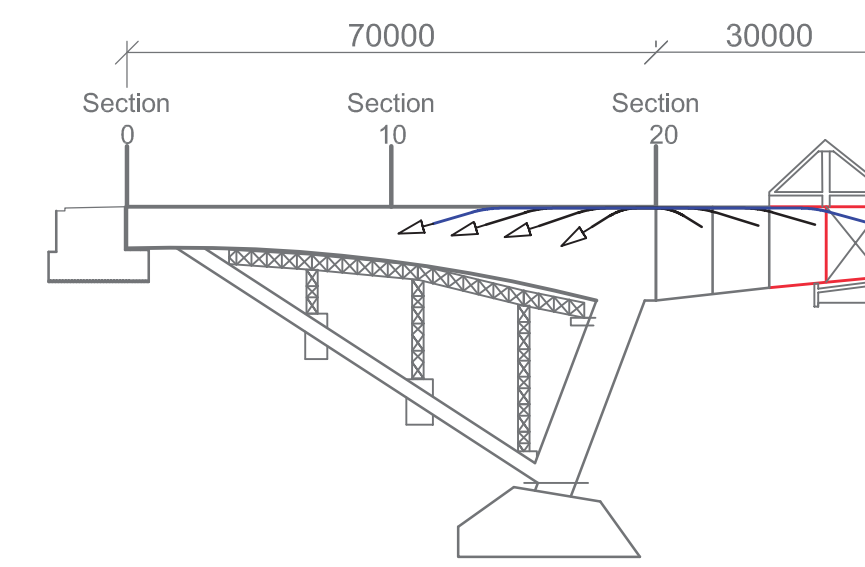


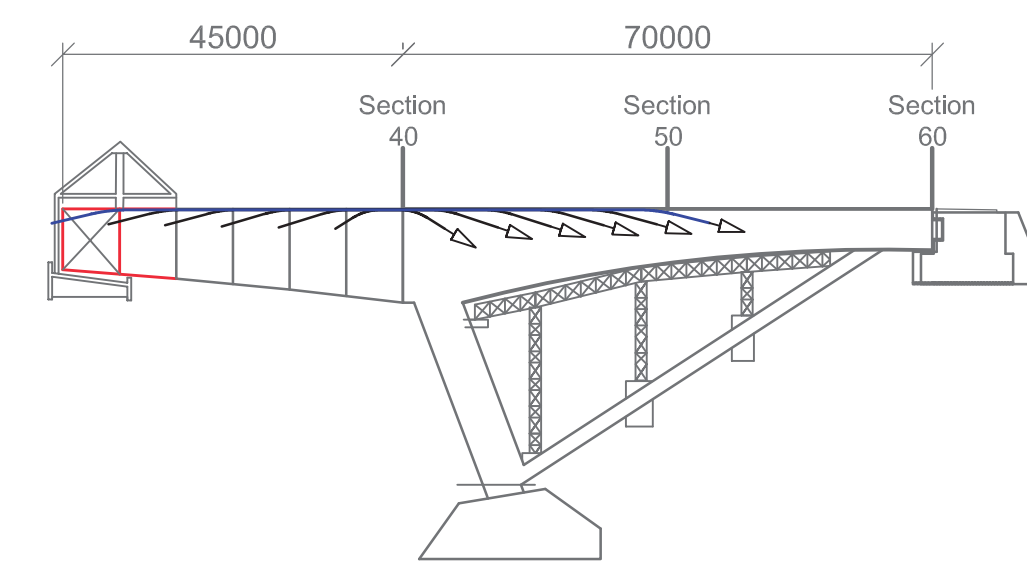
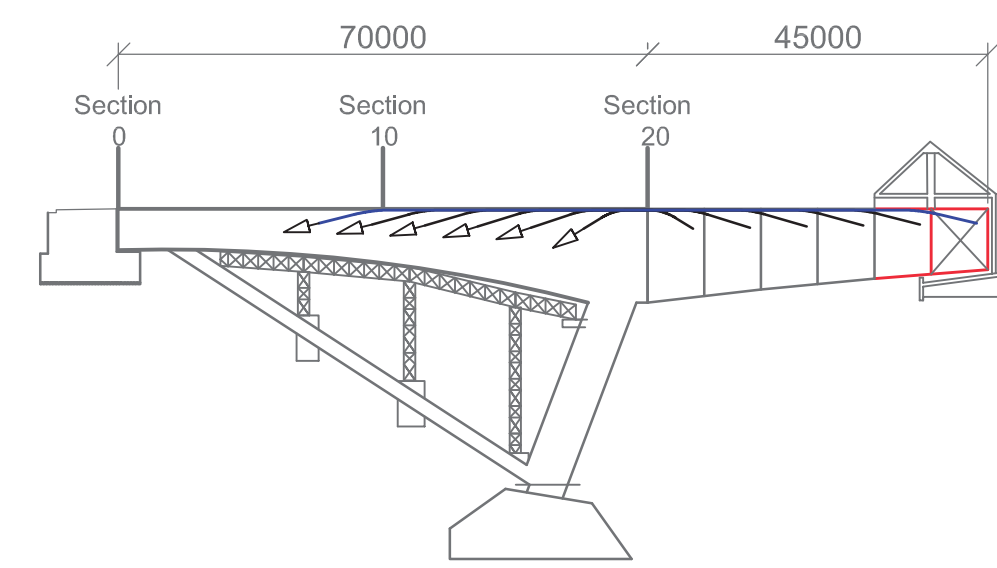
PHASE 7
LAMELLA 2



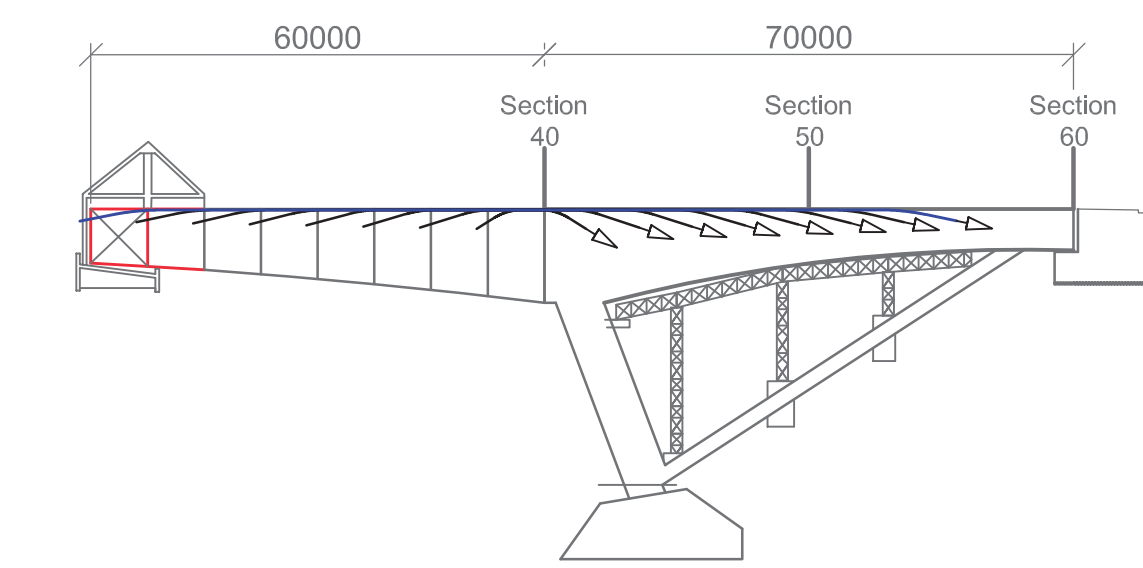
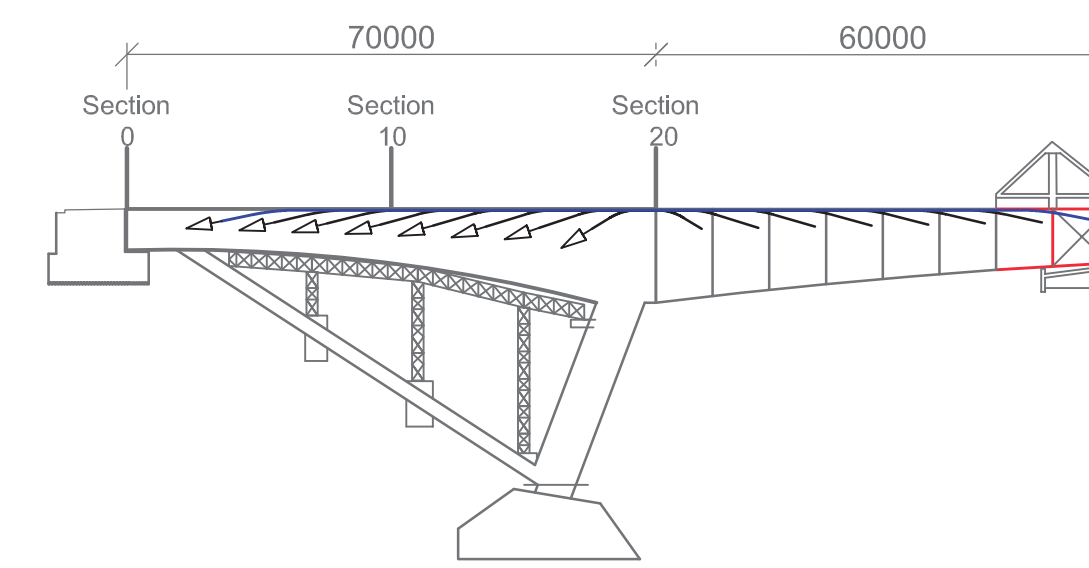
PHASE 8
LAMELLA 4



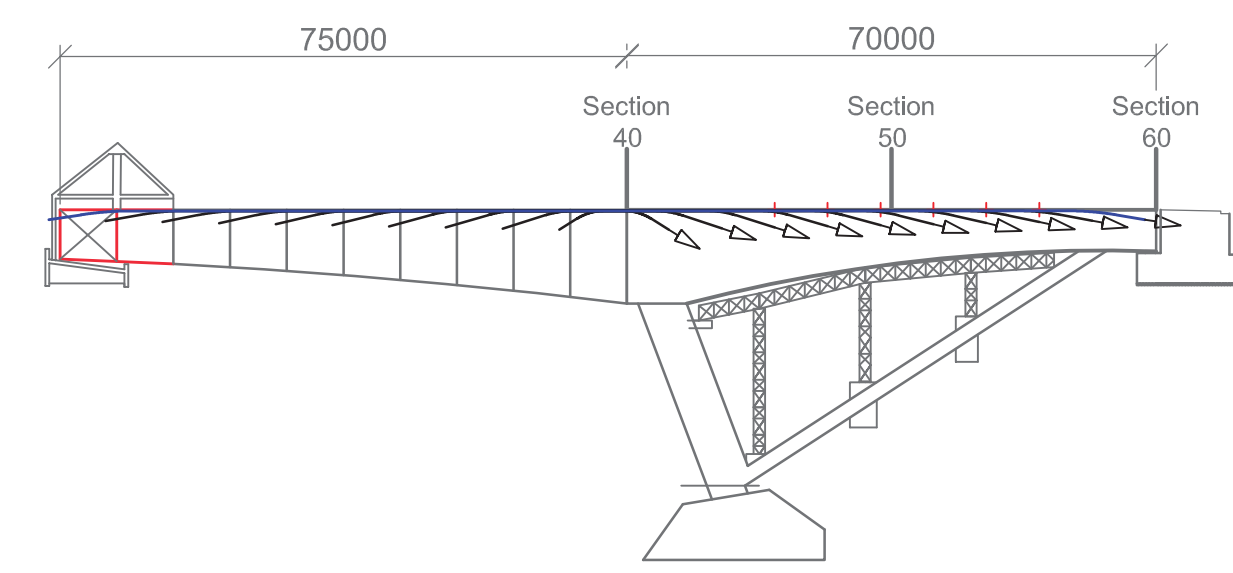
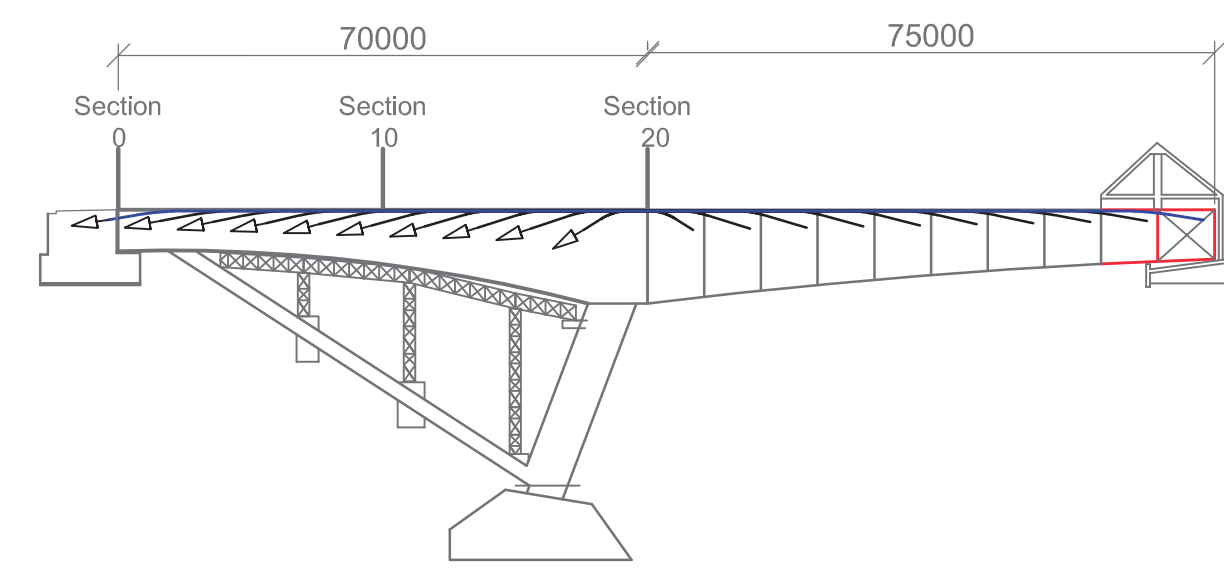
PHASE 9
LAMELLA 6



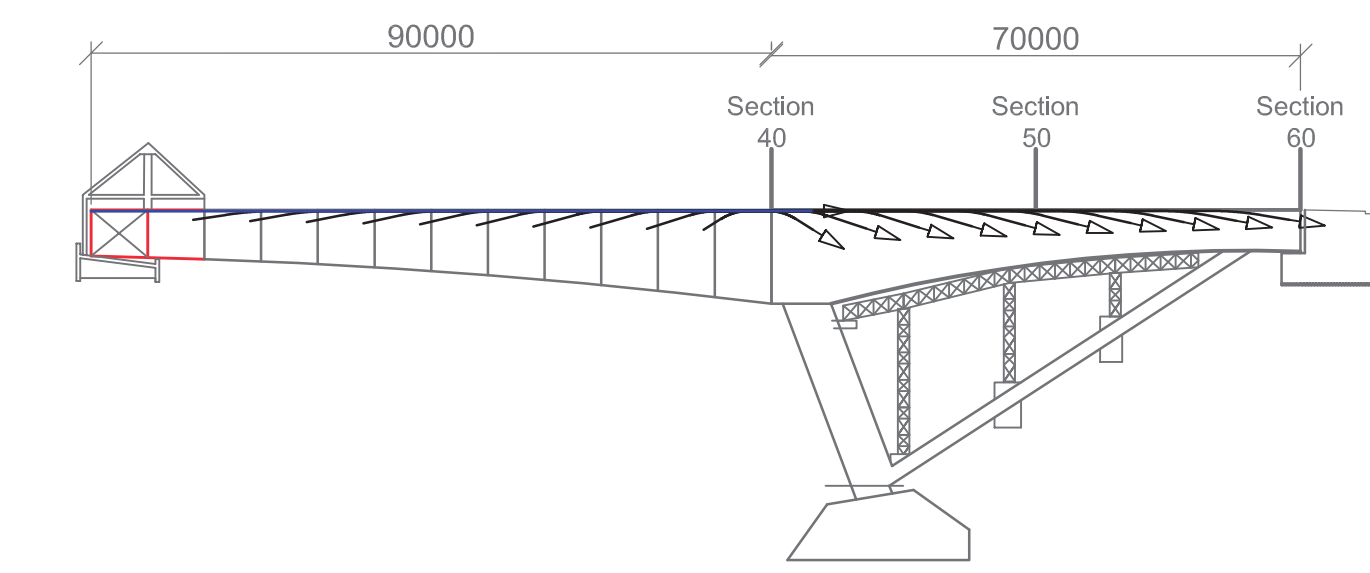
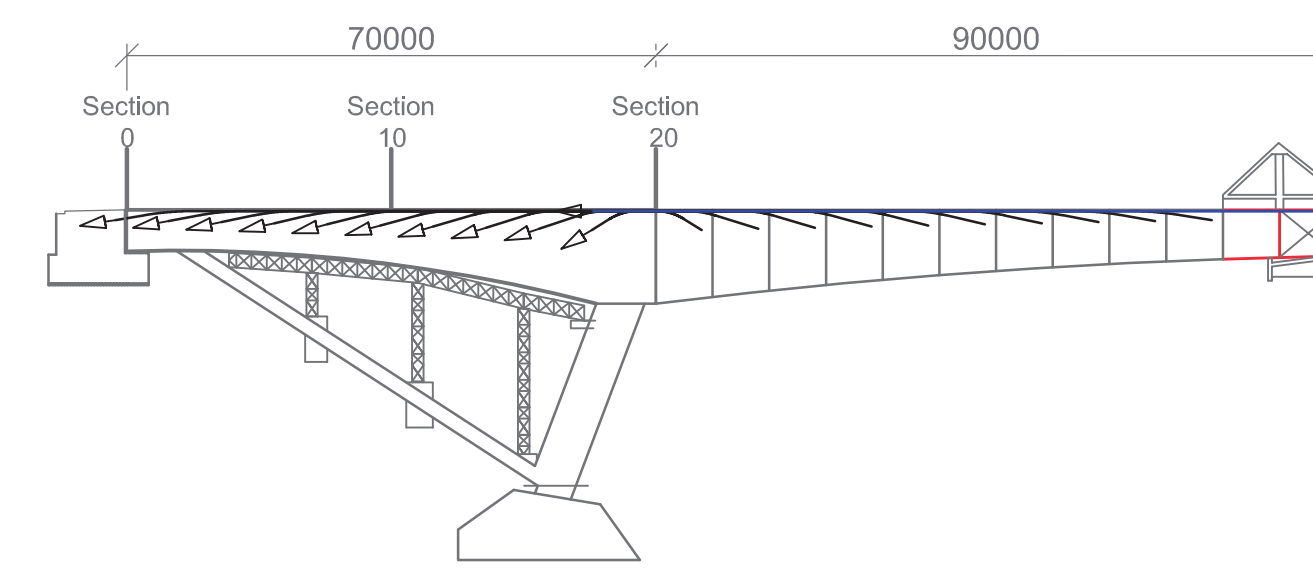
PHASE 10
LAMELLA 8



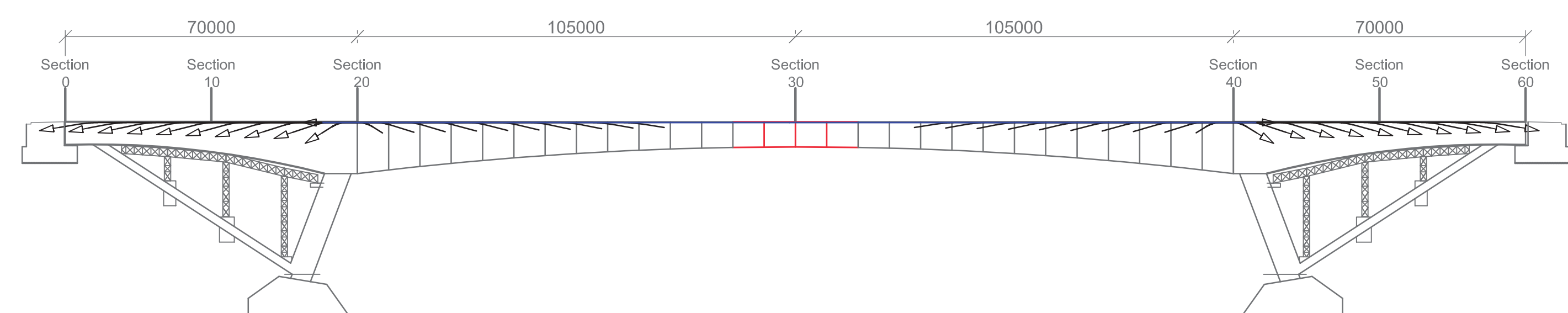
PHASE 11
LAMELLA 10



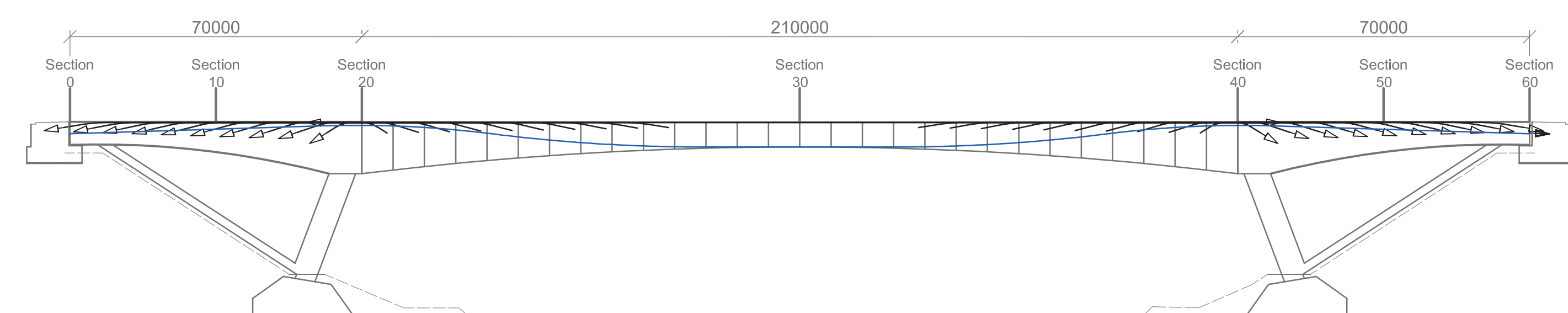
PHASE 12
LAMELLA 12




PHASE 13
LAMELLA 14



PHASE 14
CONTINUITY CABLES
AND FOLLOWING
FINISHING WORKS



Designer: Manolo Mendizábal	Scale: 1:1000	Date: January 7, 2018	Part: 2/2
Content: Construction Stages			 ČVUT V PRAZE FAKULTA STAVEBNÍ