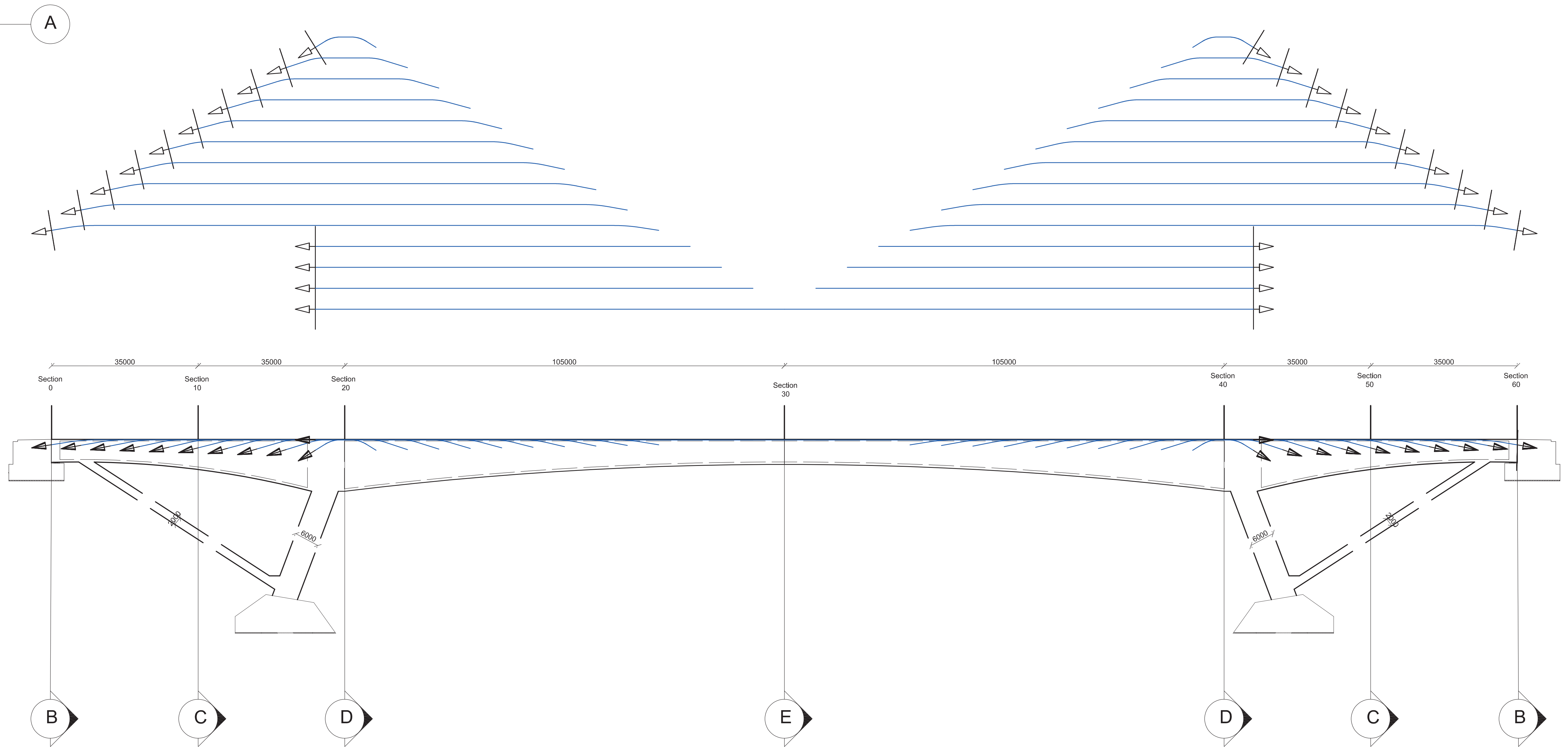
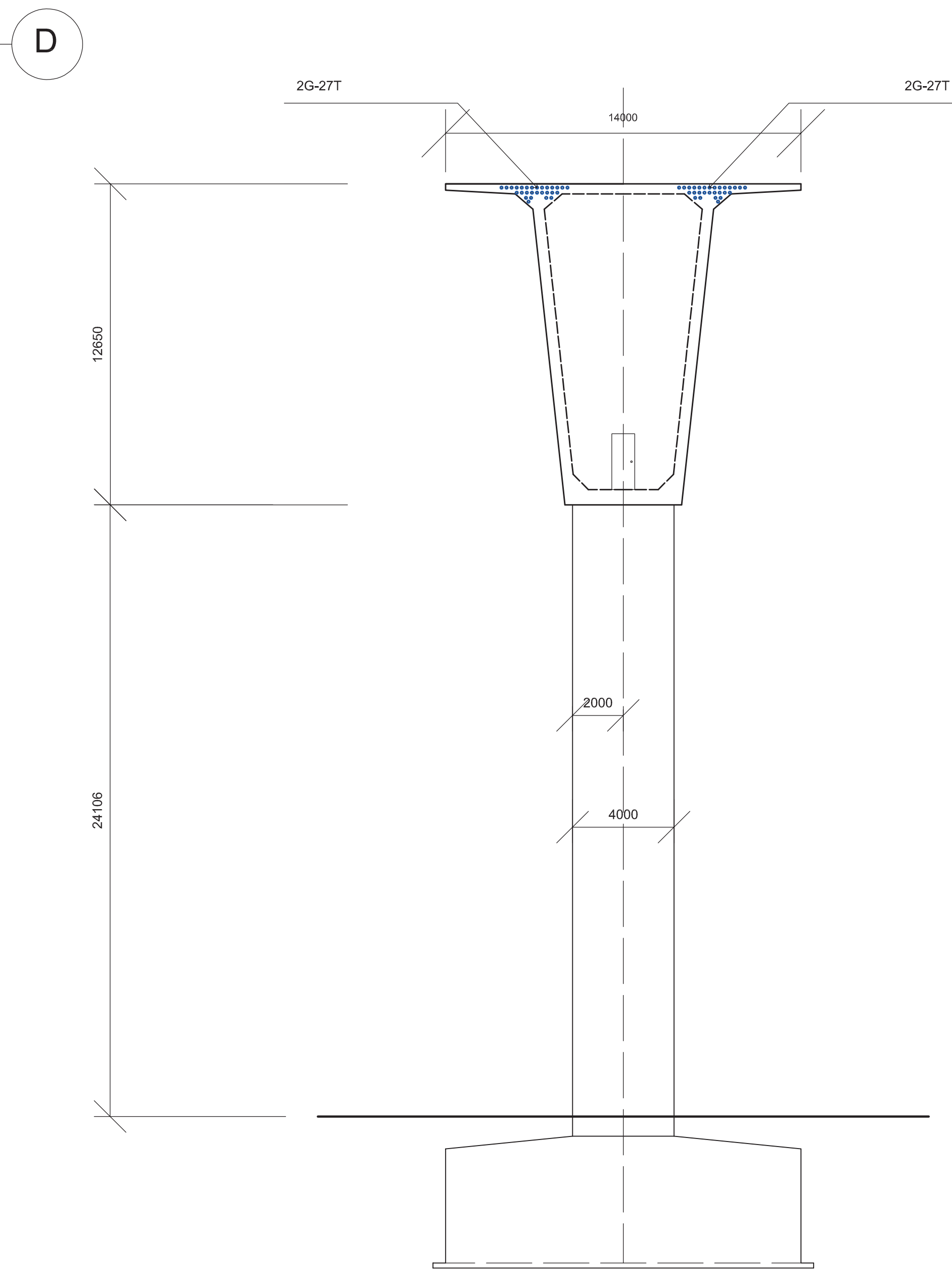


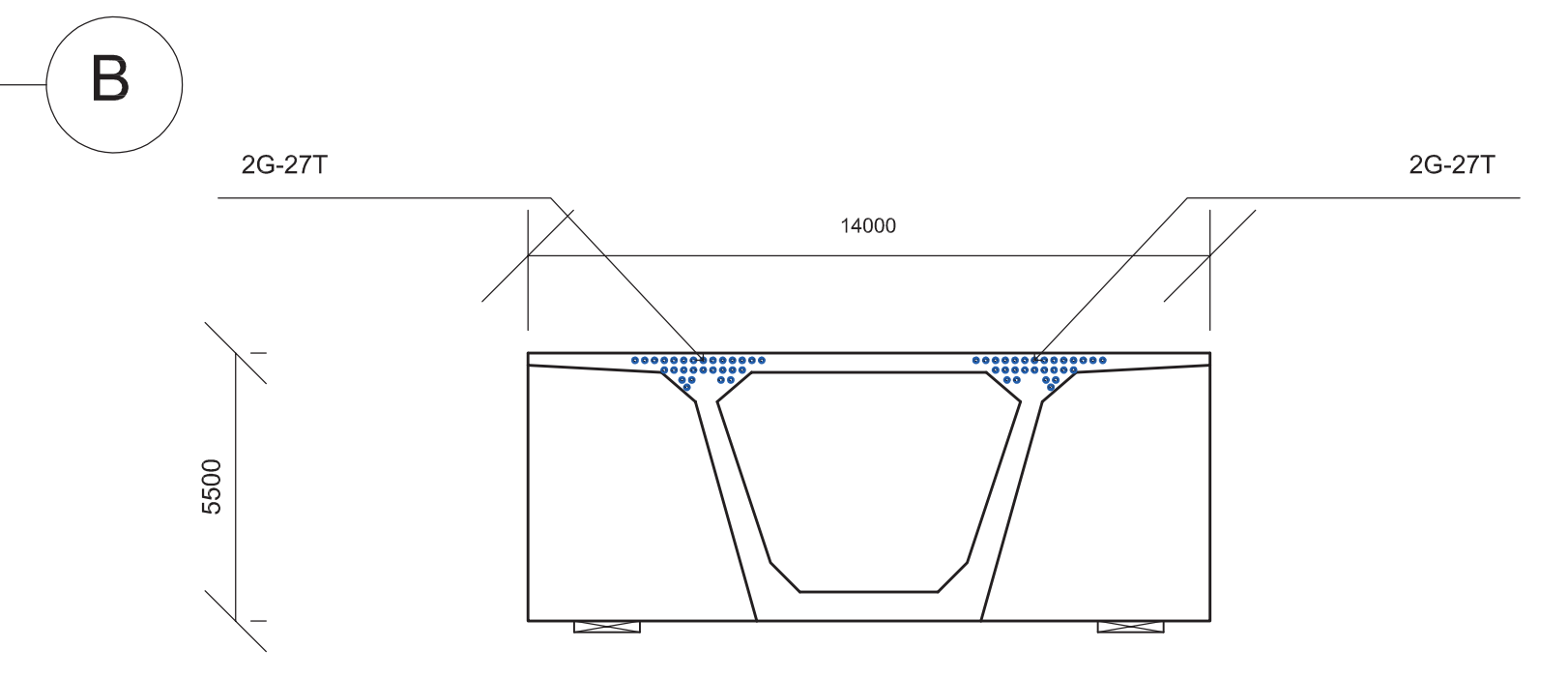
LOGITUDINAL CUT
CONSTRUCTION STAGES
CABLE LAYOUT
1:500



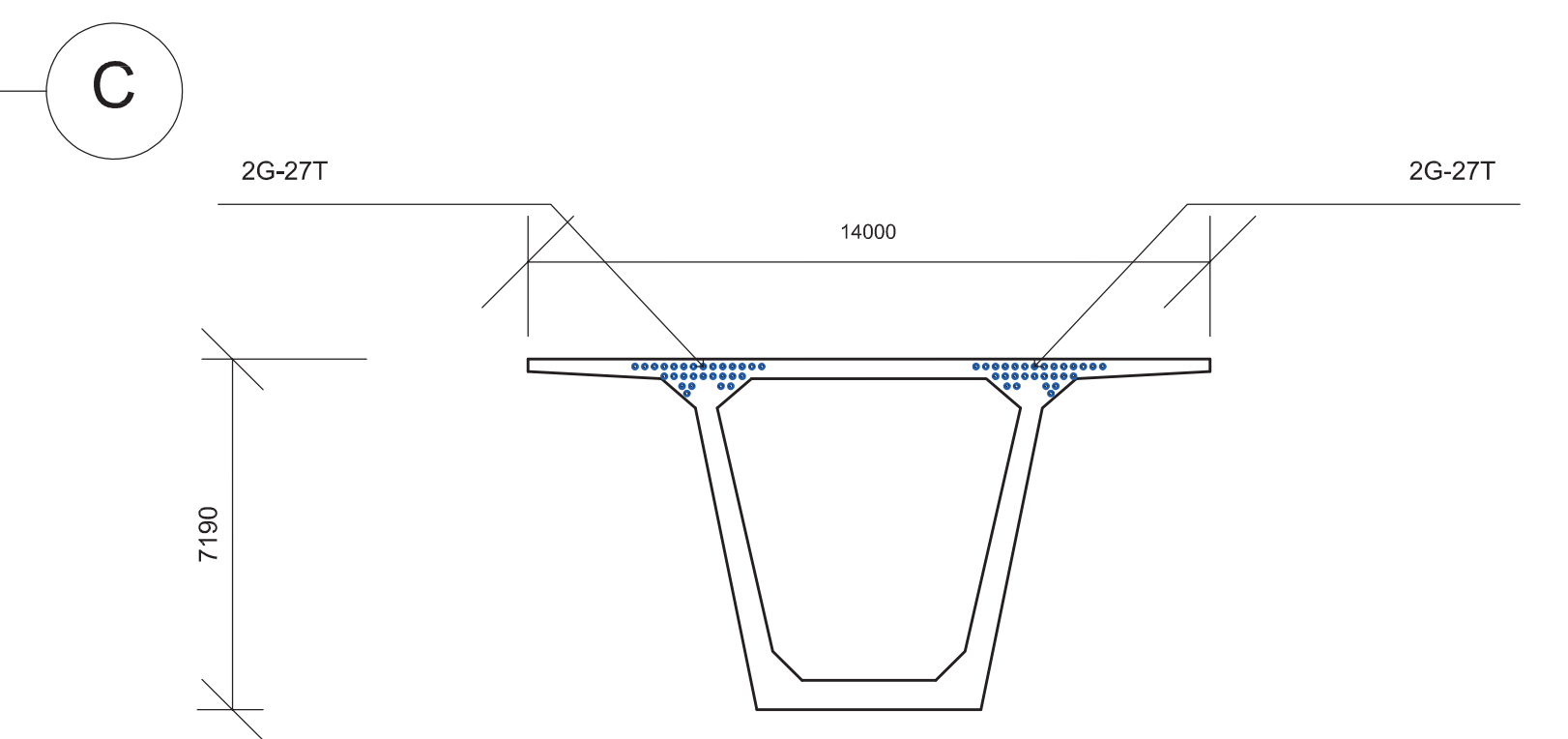
SECTION
20, 40
1:150



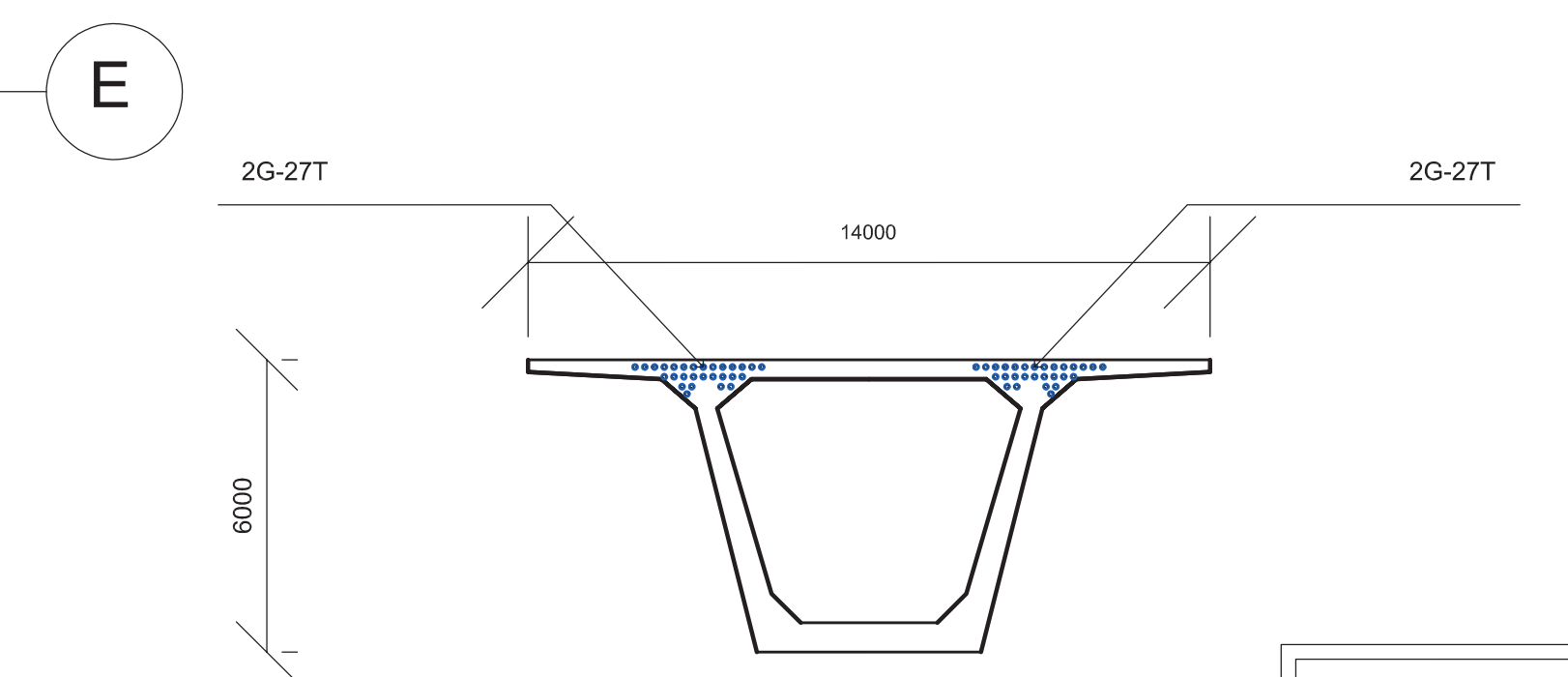
SECTION
0, 60
1:150



SECTION
10, 50
1:150



SECTION
30
1:150



Designer: Manolo Mendizábal	Scale: 1:500, 150	Date: January 7, 2018	Part: 1/1
Content: Tendons Construction stages			