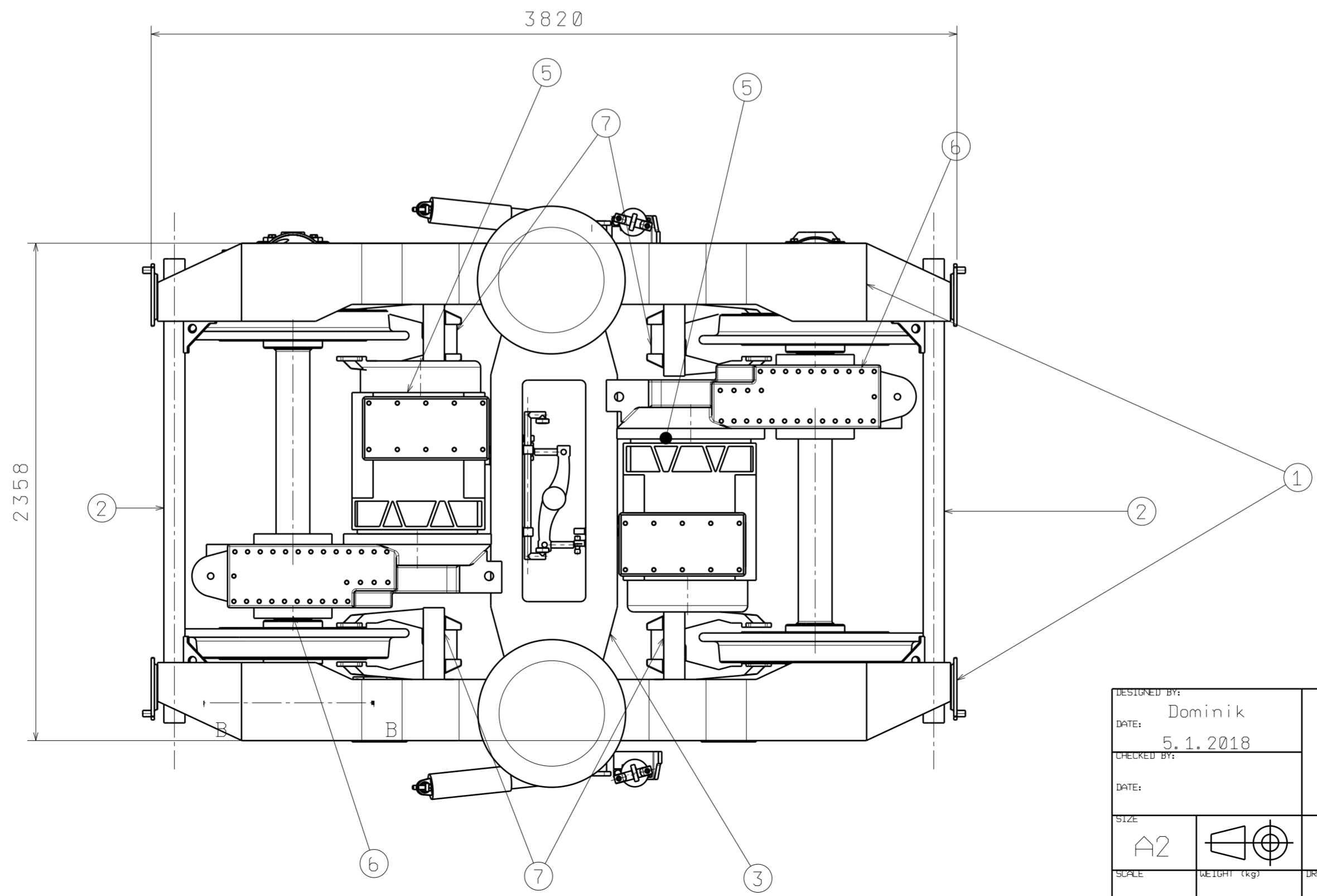
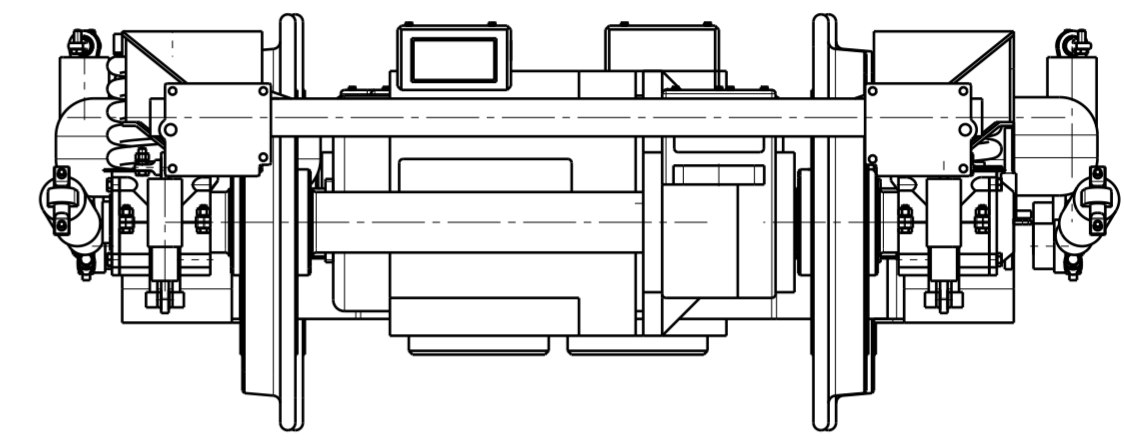
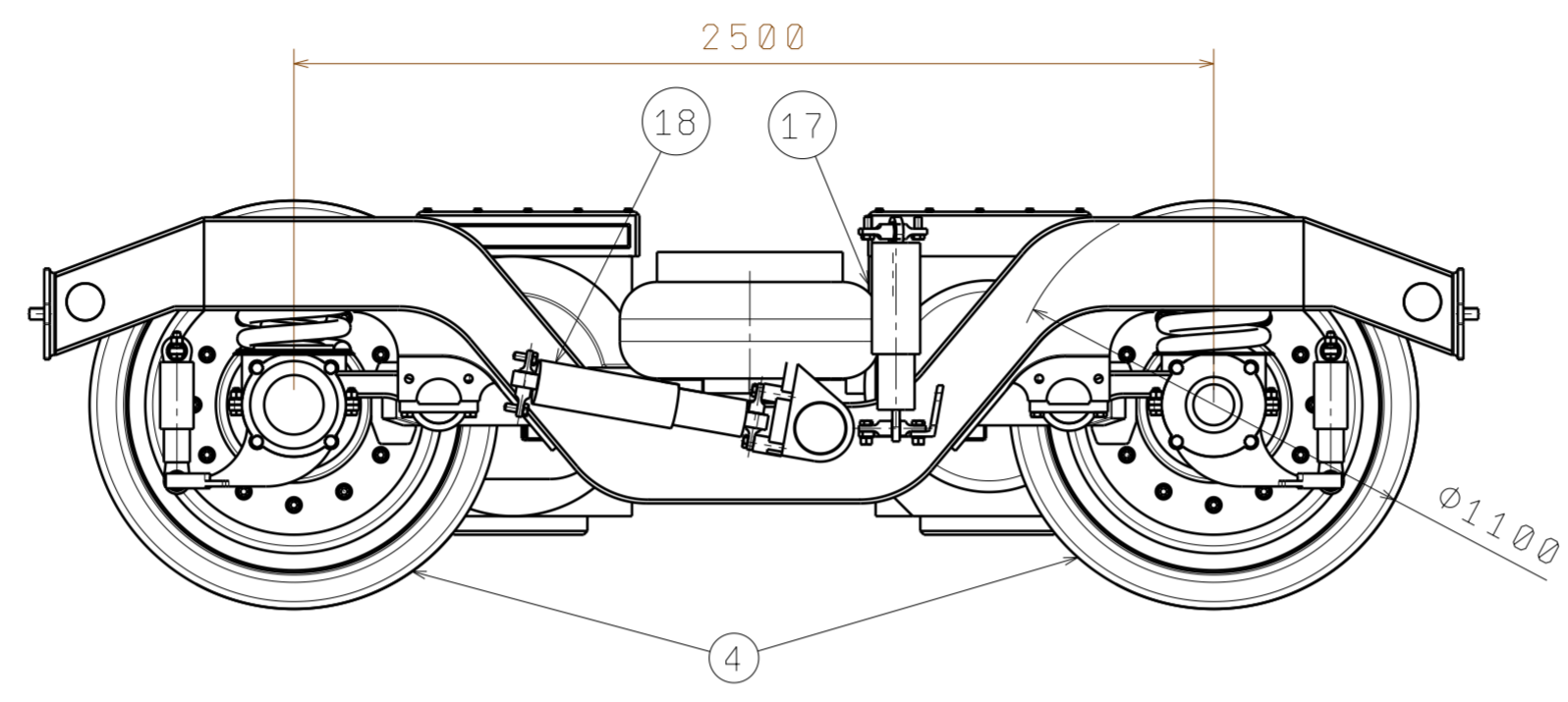


B-B
1:10



DESIGNED BY: Dominik		Hnací podvozek	I	-
DATE: 5.1.2018			H	-
CHECKED BY:		DASSAULT SYSTEMES	G	-
DATE:			F	-
SIZE: A2		DP-1	E	-
SCALE: 1:1			WEIGHT (kg)	D
DRAWING NUMBER		1/1	C	-
SHEET			B	-
This drawing is our property; it can't be reproduced or communicated without our written agreement.				