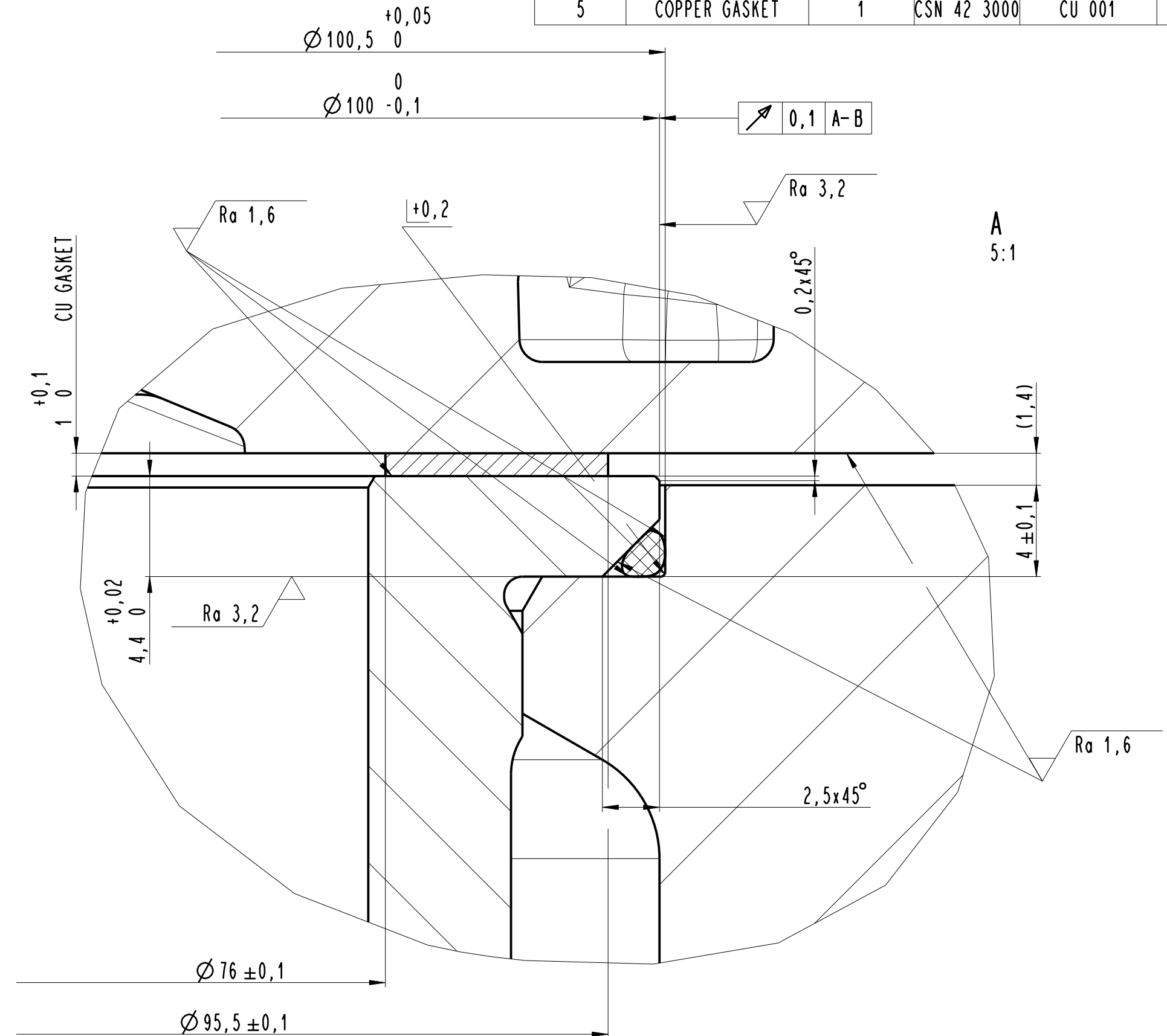


Position:	Title:	Number:	Material:	Part number/ Trade name	Weight(g):
1	CYLINDER HEAD	1	AISI10Mg	ENT 334 997 M	6 048
2	ENGINE BLOCK	1	CSN 11 500	EB 001	17 978
3	CYLINDER LINER B2	1	GJL-350	CL B2 001	1 484
4	O-RING	1	FPM 80	VITON 96x2	2
5	COPPER GASKET	1	CSN 42 3000	CU 001	24



Unless other specifications are noted, DIN ISO 2768-m  
Shall apply to dimensions without tolerance specification

Format D.size <b>A2</b>	DATE: <b>1.8.2017</b>	NAME: <b>Kubovy L.</b>
Weight (g): <b>25536</b>	Title: <b>Variation B2</b> <b>Single_Cylinder_Engine_Gasket</b>	
Scale: <b>1:1</b> <b>(5:1)</b>	Part NO: <b>B2 001</b>	Number of sheets: <b>1</b>

THE UNATTACHED DIMENSIONS OF THE CYLINDER LINER, ENGINE BLOCK AND CYLINDER HEAD ARE GIVEN IN THE DRAWING OF THE RELEVANT PART