

MR031G

Outer diameter: 31.85 ± 0.10 mm

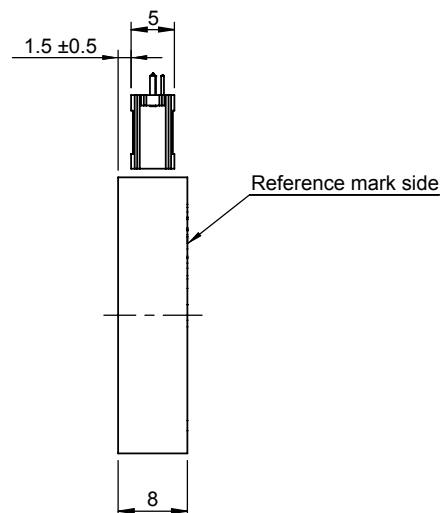
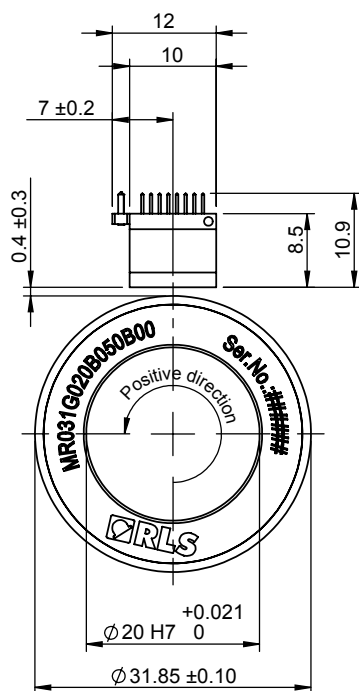
Inner diameter: 20 H7 mm

Number of poles: 50 / 20

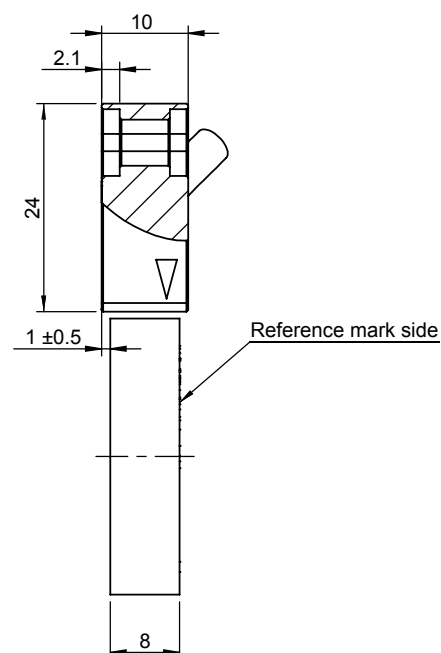
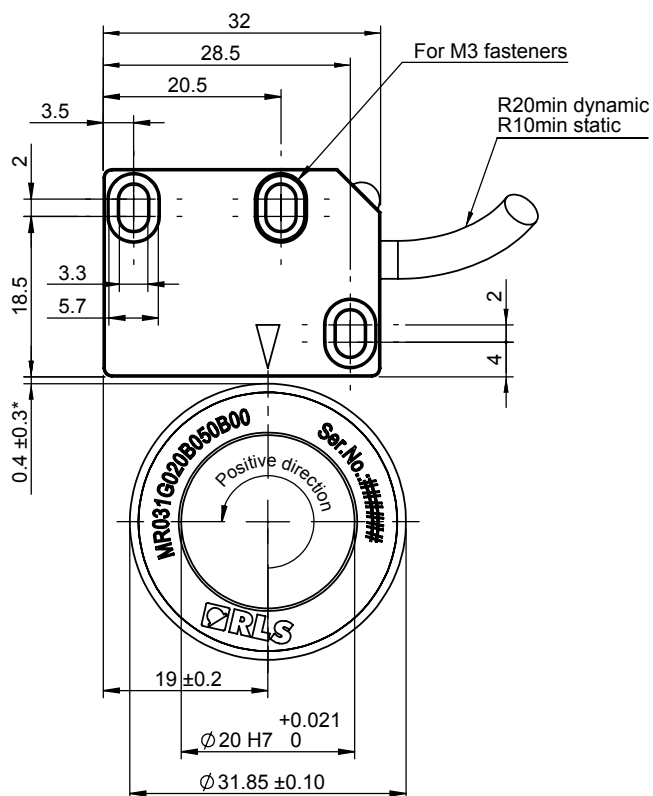
Dimensions and installation tolerance

Dimensions and tolerances in mm.

RLM



LM10/15



* For LM15: 0.1 - 4 mm