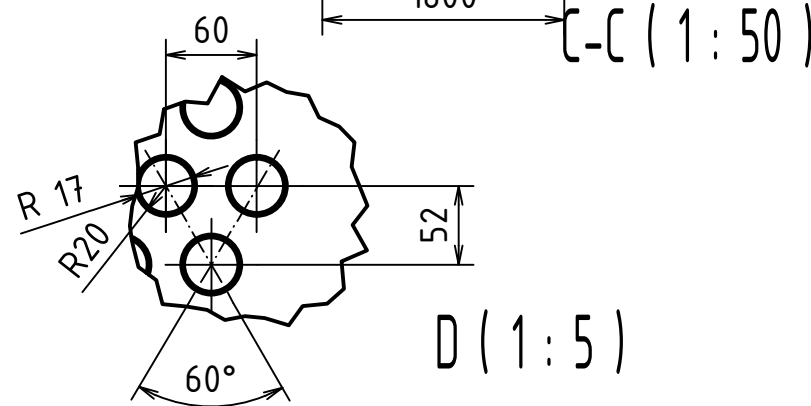
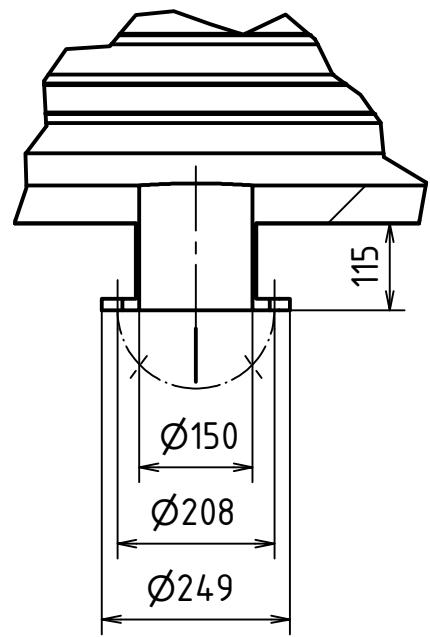



B (1:10)



D (1:5)

MATERIAL:									
SEMI-PROD.:									
PROJECTION:  (ISO E)									
TOLERANCING ISO 8015:									
ACURACCY ISO 2768 -									
DESIGNED	Signature	Date	Signature	Date	WEIGHT:	kg	SCALE	1:50	
DRAWN BY	Ondřej Černý	12.6. 2017	STANDARD		MICROFILM:				
TECHNOL.			CHECKED BY		ASS. DRW.:		PART LIST:		
			APPROVED		OLD DRW.:				
CZECH TECHNICAL UNIVERSITY IN PRAGUE					TITLE				
FACULTY OF MECHANICAL ENGINEERING					FEED WATER HEATER				
					DRAWING NUMBER				
					01				
					SHEET:				