


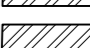
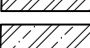


TABLE OF ROOMS

TYPE	NAME OF ROOM	AREA m2	FLOORING
RO1	STORAGE ROOM	1.7 m2	CARPET
RO2	STORAGE ROOM	1.7 m2	CARPET
RO3	STORAGE ROOM	1.7 m2	CARPET
RO4	STORAGE ROOM	1.7 m2	CARPET
RO5	STORAGE ROOM	1.7 m2	CARPET
RO6	STORAGE ROOM	1.7 m2	CARPET
RO7	STORAGE ROOM	1.7 m2	CARPET
RO8	STORAGE ROOM	1.7 m2	CARPET
RO9	STORAGE ROOM	1.7 m2	CARPET
RO10	STORAGE ROOM	1.7 m2	CARPET
RO11	STORAGE ROOM	2.5 m2	CARPET
RO12	STORAGE ROOM	2.5m2	CARPET
RO13	STORAGE CORRIDOR	15.2m2	CARPET
RO14	STORAGE ROOM	2.7m2	CARPET
RO15	STORAGE ROOM	2.7m2	CARPET
RO16	STORAGE ROOM	1.4m2	CARPET
RO17	STORAGE ROOM	1.6m2	CARPET
RO18	STORAGE ROOM	1.5m2	CARPET
RO19	STORAGE ROOM	1.7m2	CARPET
RO20	STORAGE ROOM	1.4m2	CARPET
RO21	STORAGE ROOM	1.4m2	CARPET
RO22	STORAGE ROOM	2.6m2	CARPET
RO23	STORAGE ROOM	2.7m2	CARPET
RO24	STORAGE CORRIDOR	13.9m2	CARPET
RO25	STAIRCASE AREA	23m2	CERAMIC
RO26	LIVING ROOM WITH KITCHEN	26.5m2	CERAMIC
RO27	LIVING ROOM WITH KITCHEN	26.5 m2	CERAMIC
RO28	BED ROOM	16.1 m2	CARPET
RO29	HALL	16.5 m2	CERAMIC
RO30	BATHROOM	5.4 m2	CARPET
RO31	APARTMENT HALL	5 m2	CARPET
RO32	APARTMENT HALL	5 m2	CERAMIC
RO33	BATHROOM	5.4 m2	CERAMIC
RO34	WORK ROOM	10 m2	CARPET
RO35	CORRIDOR	31.8 m2	CERAMIC
RO36	APARTMENT HALL	4.8 m2	CERAMIC
RO37	CORRIDOR	17.9 m2	CARPET
RO38	LIVING ROOM	7.4 m2	CARPET
RO39	WORK ROOM	11.9m2	CARPET
RO40	APARTMENT HALL	5.1m2	CARPET
RO41	BATHROOM	5.3 m2	CERAMIC
RO42	APARTMENT HALL	7.8 m2	CARPET
RO43	BATHROOM	6.3m2	CERAMIC
RO44	BATHROOM	5.6m2	CERAMIC
RO45	APARTMENT HALL	5.1m2	CARPET
RO46	BATHROOM	7.6m2	CERAMIC
RO47	BATHROOM	1.9m2	CERAMIC
RO48	BED ROOM	23.3m2	CERAMIC
RO49	LIVING ROOM WITH KITCHEN	22.4m2	CERAMIC
RO50	LIVING ROOM WITH KITCHEN	29.1m2	CERAMIC
RO51	LIVING ROOM WITH KITCHEN	22.4m2	CERAMIC
RO52	KITCHEN	21.9m2	CERAMIC
RO53	BED ROOM	11.5m2	CERAMIC

LEGEND OF MATERIAL

-  HELUZ GRINDED BRICK 440mm
-  HELUZ GRINDED BRICK 300mm
-  HELUZ GRINDED BRICK 250mm
-  HELUZ GRINDED BRICK 115mm
-  REINFORCE CONCRETE WALL C30/37

WINDOW LINTEL

- WL1: ROLLER HEAD PIECE HELUZ 440 X 238 X 1500
- WL2: ROLLER HEAD PIECE HELUZ 440 X 238 X 1750
- WL3: ROLLER HEAD PIECE HELUZ 440 X 238 X 2750

Worked By:	Supervisor:	Czech Technical University
Ahmed Alkhateeb	Ing. Malila Noori, Ph.D.	
Project:	Civil Engineering Part	Academic Year
Purpose:	Bachelor Thesis - Residential Building	2016/2017
Drawing:	Ground floor	Scale
		1:50
		No. of Drawing
		03