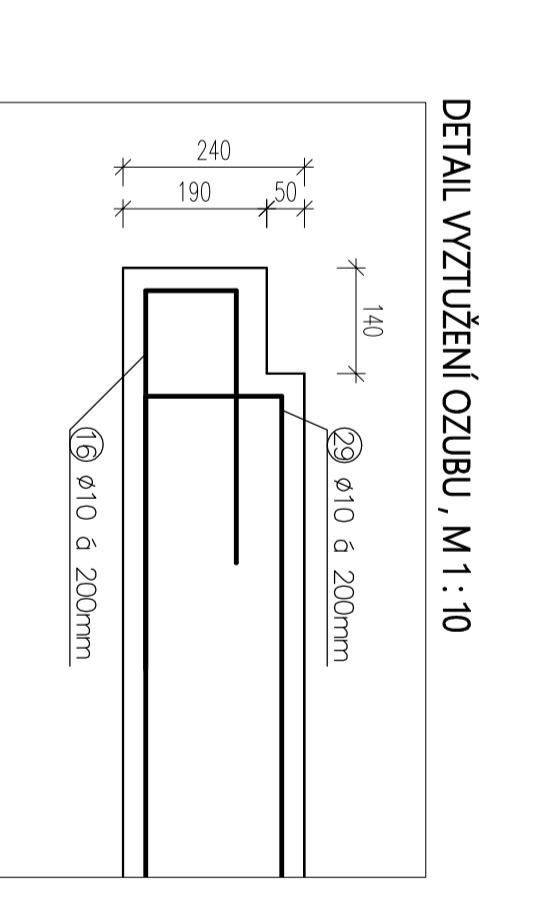


SOUSEDNÍ OBJEKT

TVARÝ POUŽITÉ VZTUŽE M 1:100

- ① #10, L=300mm
- ② #10, L=250mm
- ③ #10, L=150mm
- ④ #10, L=150mm
- ⑤ #10, L=300mm
- ⑥ #10, L=250mm
- ⑦ #10, L=300mm
- ⑧ #10, L=300mm
- ⑨ #10, L=300mm
- ⑩ #10, L=300mm
- ⑪ #10, L=300mm
- ⑫ #10, L=300mm
- ⑬ #10, L=300mm
- ⑭ #10, L=300mm
- ⑮ #10, L=300mm
- ⑯ #10, L=300mm
- ⑰ #10, L=300mm
- ⑱ #10, L=300mm
- ⑲ #10, L=300mm
- ⑳ #10, L=300mm
- ㉑ #10, L=300mm
- ㉒ #10, L=300mm
- ㉓ #10, L=300mm
- ㉔ #10, L=300mm
- ㉕ #10, L=300mm
- ㉖ #10, L=300mm
- ㉗ #10, L=300mm
- ㉘ #10, L=300mm
- ㉙ #10, L=300mm
- ㉚ #10, L=300mm
- ㉛ #10, L=300mm
- ㉜ #10, L=300mm
- ㉝ #10, L=300mm
- ㉞ #10, L=300mm
- ㉟ #10, L=300mm
- ㊱ #10, L=300mm
- ㊲ #10, L=300mm
- ㊳ #10, L=300mm
- ㊴ #10, L=300mm
- ㊵ #10, L=300mm
- ㊶ #10, L=300mm
- ㊷ #10, L=300mm
- ㊸ #10, L=300mm
- ㊹ #10, L=300mm
- ㊺ #10, L=300mm
- ㊻ #10, L=300mm
- ㊼ #10, L=300mm
- ㊽ #10, L=300mm
- ㊾ #10, L=300mm
- ㊿ #10, L=300mm



Průřez	Tržná síla	Číslo prutu	Průřez
20	580	2, 5	309
21	1260	5, 5	24
22	1260	7, 2	26
23	1260	7, 2	26
24	1260	1, 8	6
25	1260	1, 8	6
26	1260	3, 0	12
27	1260	3, 0	12
28	1260	3, 0	12
29	1260	3, 0	12
30	1260	3, 0	12
31	1260	3, 0	12
32	1260	3, 0	12
33	1260	3, 0	12
34	1260	3, 0	12
35	1260	3, 0	12
36	1260	3, 0	12
37	1260	3, 0	12
38	1260	3, 0	12
39	1260	3, 0	12
40	1260	3, 0	12
41	1260	3, 0	12
42	1260	3, 0	12
43	1260	3, 0	12
44	1260	3, 0	12
45	1260	3, 0	12
46	1260	3, 0	12
47	1260	3, 0	12
48	1260	3, 0	12
49	1260	3, 0	12
50	1260	3, 0	12
51	1260	3, 0	12
52	1260	3, 0	12
53	1260	3, 0	12
54	1260	3, 0	12
55	1260	3, 0	12
56	1260	3, 0	12
57	1260	3, 0	12
58	1260	3, 0	12
59	1260	3, 0	12
60	1260	3, 0	12
61	1260	3, 0	12
62	1260	3, 0	12
63	1260	3, 0	12
64	1260	3, 0	12
65	1260	3, 0	12
66	1260	3, 0	12
67	1260	3, 0	12
68	1260	3, 0	12
69	1260	3, 0	12
70	1260	3, 0	12
71	1260	3, 0	12
72	1260	3, 0	12
73	1260	3, 0	12
74	1260	3, 0	12
75	1260	3, 0	12
76	1260	3, 0	12
77	1260	3, 0	12
78	1260	3, 0	12
79	1260	3, 0	12
80	1260	3, 0	12
81	1260	3, 0	12
82	1260	3, 0	12
83	1260	3, 0	12
84	1260	3, 0	12
85	1260	3, 0	12
86	1260	3, 0	12
87	1260	3, 0	12
88	1260	3, 0	12
89	1260	3, 0	12
90	1260	3, 0	12
91	1260	3, 0	12
92	1260	3, 0	12
93	1260	3, 0	12
94	1260	3, 0	12
95	1260	3, 0	12
96	1260	3, 0	12
97	1260	3, 0	12
98	1260	3, 0	12
99	1260	3, 0	12
100	1260	3, 0	12

BEŽON C30/37 XC1 C10,2 S4 Dmax=16mm
OSD B 5008
 Ø10, 20mm
 Ø12, 20mm
 Ø16, 20mm
 Ø20, 20mm
 Ø25, 20mm
 Ø32, 20mm
 Ø40, 20mm
 Ø50, 20mm
 Ø63, 20mm
 Ø80, 20mm
 Ø100, 20mm
 Ø125, 20mm
 Ø160, 20mm
 Ø200, 20mm
 Ø250, 20mm
 Ø315, 20mm
 Ø400, 20mm
 Ø500, 20mm
 Ø630, 20mm
 Ø800, 20mm
 Ø1000, 20mm

SAVĚBNĚ KONSTRUKČNÍ ČÁST
BYROVÝ DÍLNĚ BERANOV

WYKRES HORNÍ VÝZTUŽE DÍLEK D5

Projekt: Savěbně konstrukční část
 Datum: 11.5.20
 Měřítko: 1:50
 Číslo výkresu: 6
 Číslo výkresu: 2