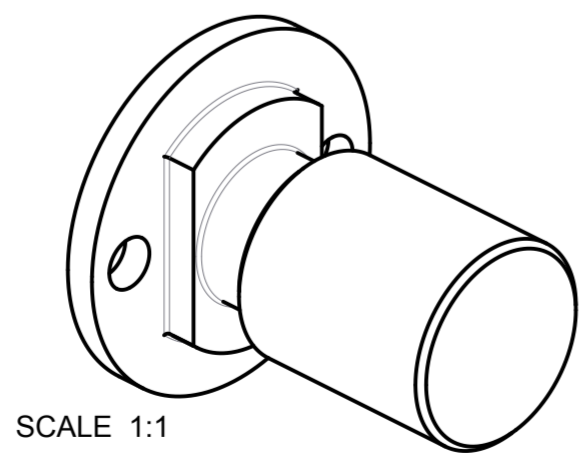
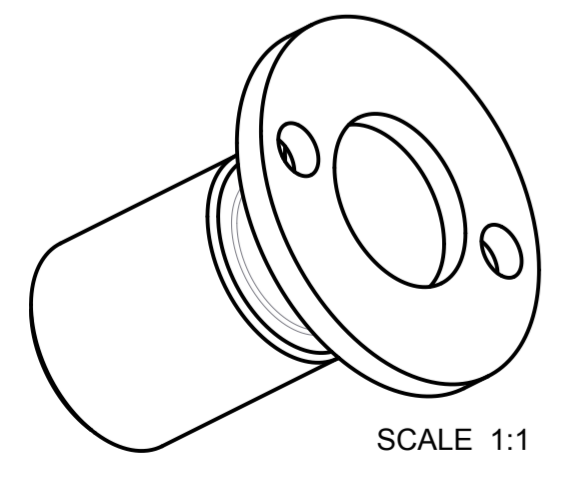
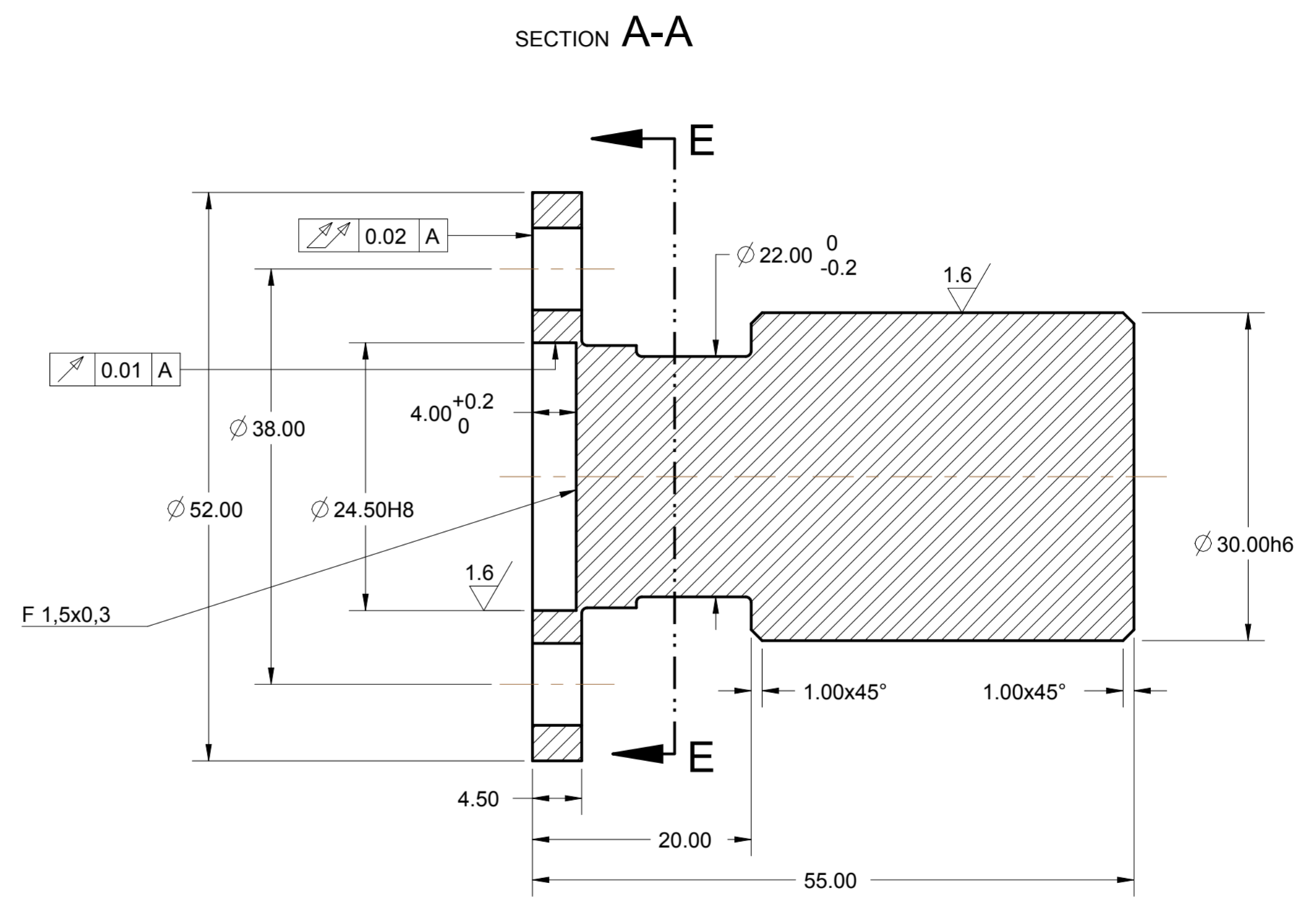
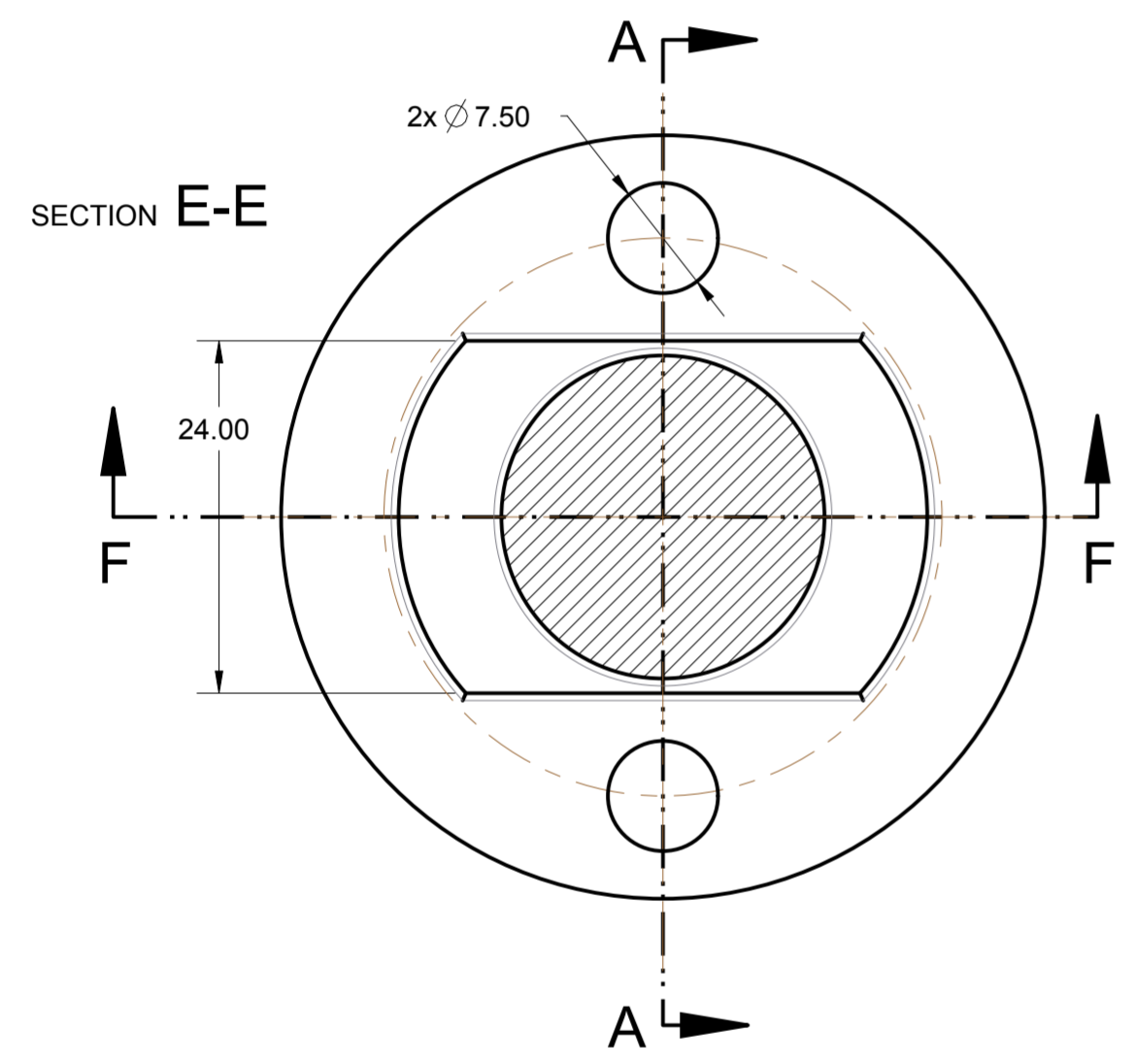
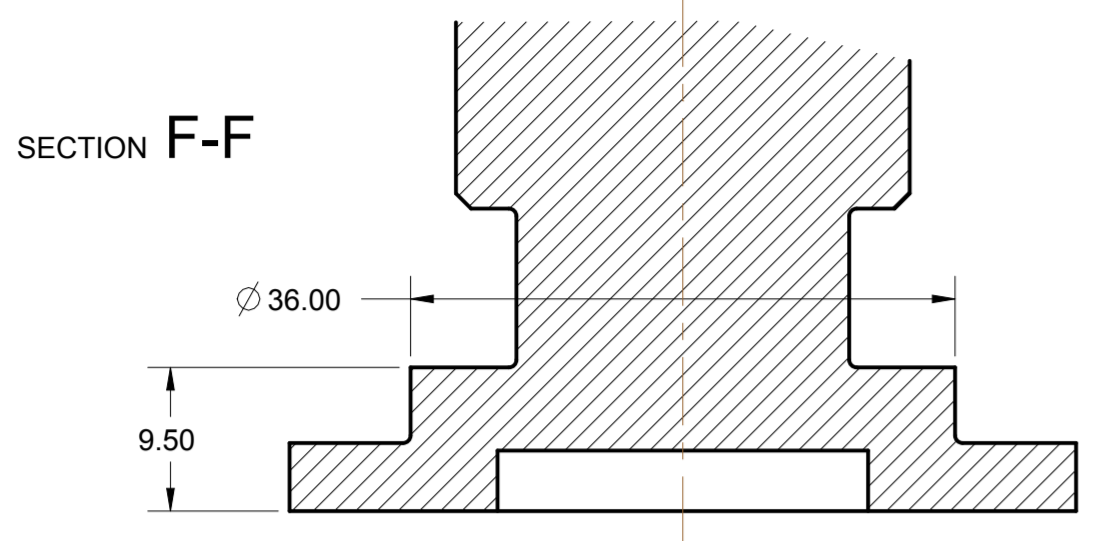


DRAWING REVISIONS							
REV	DESCRIPTION	ZONE	ECO	DATE	DRN BY	CHK BY	APP BY
A1	PRELIMINARY RELEASE			2016MAR11	ZHU	LTO	LJA



GENERAL TOLERANCES TO ISO 2768 FOR LINEAR AND ANGULAR DIMENSIONS						
TOLERANCE CLASS DESIGNATION	PERMISSIBLE DEVIATIONS IN MM FOR RANGES IN NOMINAL LENGTHS					
	0.5 to 3	over 3 up to 6	over 6 up to 30	over 30 up to 120	over 120 up to 400	over 400 up to 1000
f (fine)	±0.05	±0.05	±0.1	±0.15	±0.2	±0.3
m (medium)	±0.1	±0.1	±0.2	±0.3	±0.5	±0.8
c (coarse)	±0.2	±0.3	±0.5	±0.8	±1.2	±2
V (very coarse)	-	±0.5	±1	±1.5	±2.5	±4

NOTICE TO PERSONS RECEIVING THIS DRAWING AND/OR TECHNICAL INFORMATION

EATON CORPORATION CLAIMS PROPRIETARY RIGHTS IN THE MATERIAL DISCLOSED HEREON. THIS DRAWING AND/OR TECHNICAL INFORMATION IS ISSUED IN CONFIDENCE FOR ENGINEERING INFORMATION ONLY AND MAY NOT BE REPRODUCED OR USED TO MANUFACTURE ANYTHING SHOWN OR REFERRED TO HEREON WITHOUT DIRECT PERMISSION FROM EATON TO THE USER. THIS DRAWING AND/OR TECHNICAL INFORMATION IS LOANED FOR MUTUAL ASSISTANCE AND IS SUBJECT TO RECALL AT ANY TIME. THIS DRAWING AND/OR TECHNICAL INFORMATION IS THE PROPERTY OF EATON CORPORATION. EATON, AS SUPPLIER, WILL MEET AGREED TO DRAWING REQUIREMENTS AND SPECIFICATIONS THAT DEFINE THIS PRODUCT; HOWEVER, SUITABILITY FOR ANY INTENDED APPLICATION IS THE PURCHASER'S RESPONSIBILITY.

INTERPRET DIMENSIONS AND TOLERANCING PER ISO 129-1:2004

UNLESS OTHERWISE SPECIFIED
GENERAL TOLERANCES PER SURFACE
 ISO 2768-1 class mK FINISH =

HEAT TREATMENT
NONE

MATERIAL: **OCEL, LEPSI NEZ CSN 12050** ESTIMATED MASS (grams): **312.30**

ENGINE: _____

CUSTOMER: _____ CUSTOMER CHANGE LEVEL: _____

CUSTOMER PART NUMBER: _____

TITLE: **DOUBLE FLANGE**

DRAWING TYPE: **VTI**

RELEASE STATUS: **PROTOTYPE**

SIZE: **A2** SCALE: **2:1** SHEET OF **1**

DRAWING NUMBER: **371277-VTI**

EATON
 EEIC Prague