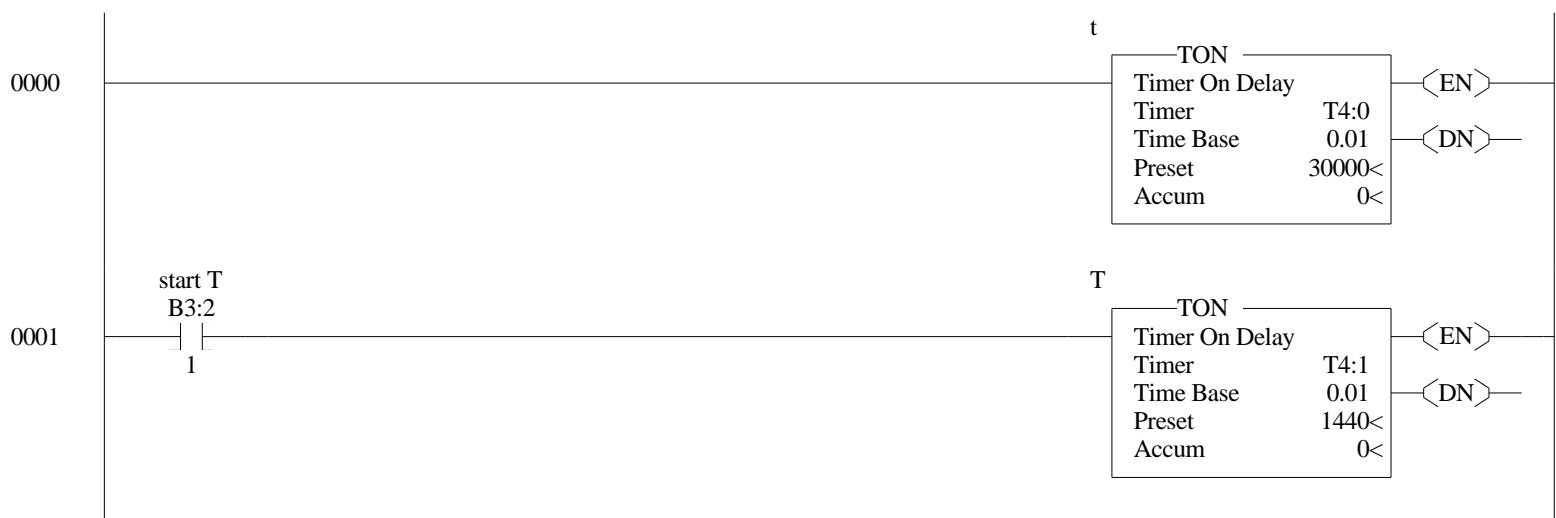


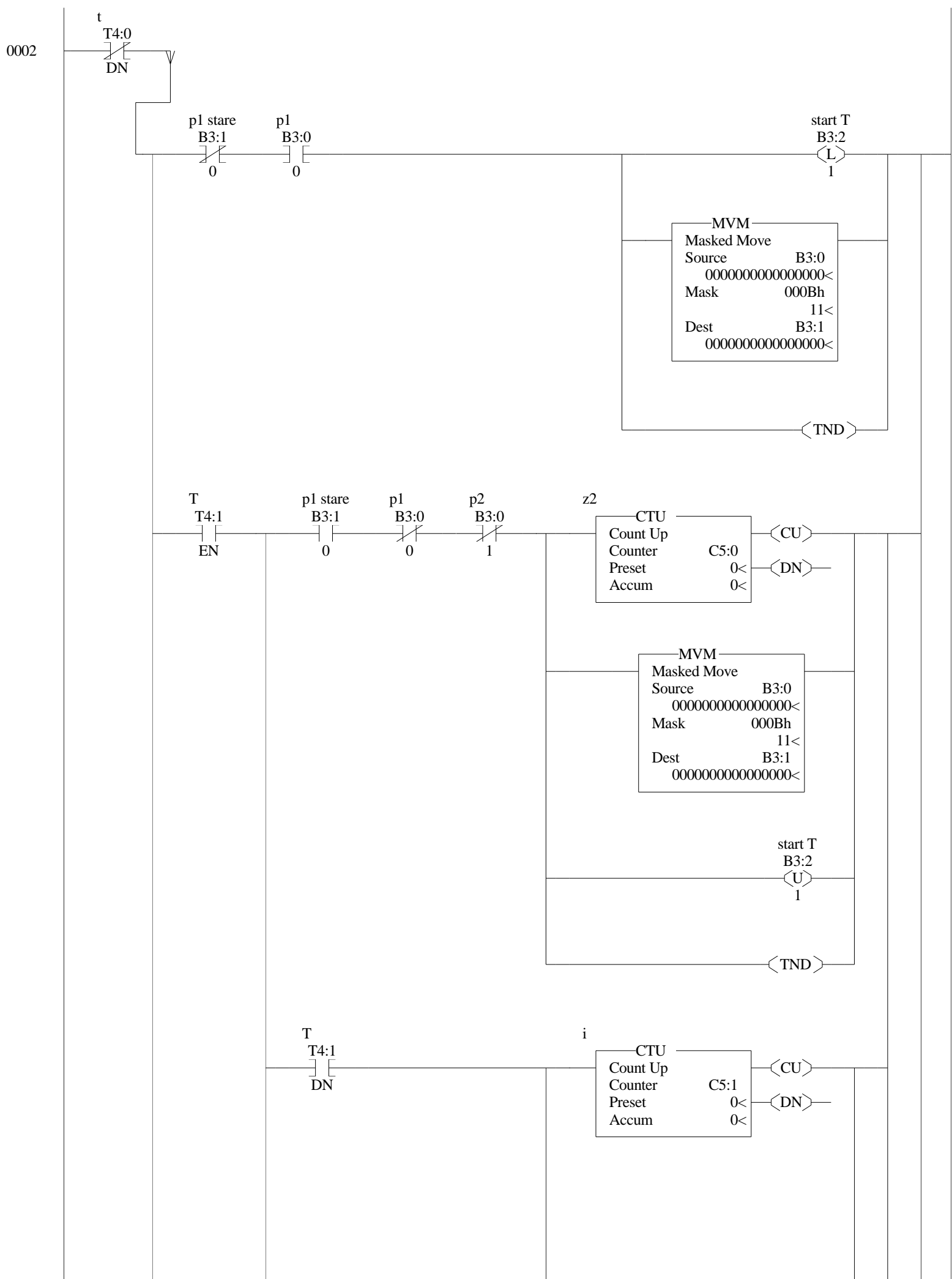
Address/Symbol Database

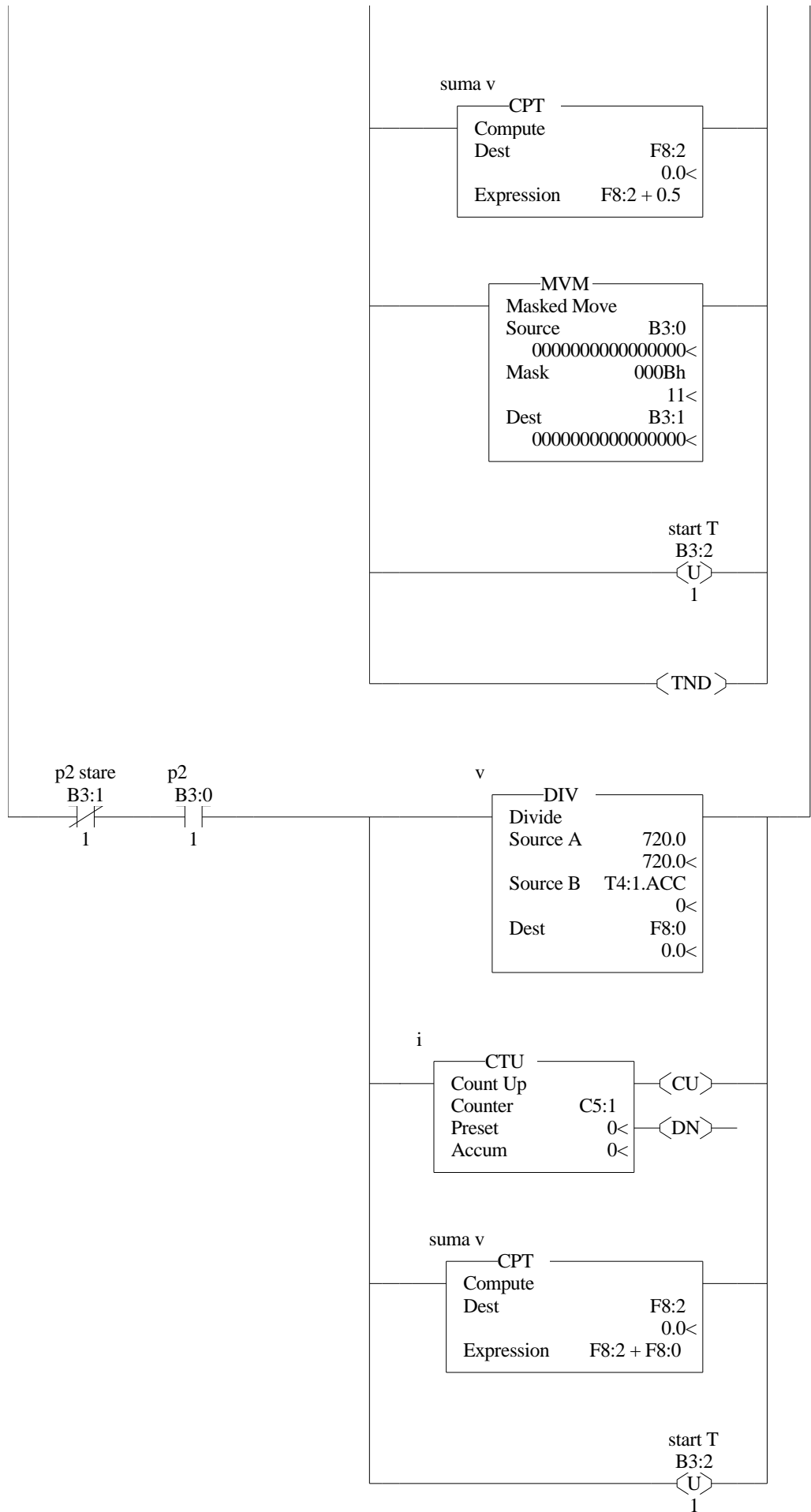
Address	Symbol	Scope	Description	Sym Group	Dev. Code	ABV	BLW
B3:0							
B3:0/0			p1				
B3:0/1			p2				
B3:1							
B3:1/0			p1 stare				
B3:1/1			p2 stare				
C5:0			q1				
C5:1			q2				
N7:0			E				
N7:1			suma				
N7:2			zahodit				
N9:0							
S:0			Arithmetic Flags				
S:0/0			Processor Arithmetic Carry Flag				
S:0/1			Processor Arithmetic Underflow/ Overflow Flag				
S:0/2			Processor Arithmetic Zero Flag				
S:0/3			Processor Arithmetic Sign Flag				
S:1			Processor Mode Status/ Control				
S:1/0			Processor Mode Bit 0				
S:1/1			Processor Mode Bit 1				
S:1/2			Processor Mode Bit 2				
S:1/3			Processor Mode Bit 3				
S:1/4			Processor Mode Bit 4				
S:1/5			Forces Enabled				
S:1/6			Forces Present				
S:1/7			Comms Active				
S:1/8			Fault Override at Powerup				
S:1/9			Startup Protection Fault				
S:1/10			Load Memory Module on Memory Error				
S:1/11			Load Memory Module Always				
S:1/12			Load Memory Module and RUN				
S:1/13			Major Error Halted				
S:1/14			Access Denied				
S:1/15			First Pass				
S:2/0			STI Pending				
S:2/1			STI Enabled				
S:2/2			STI Executing				
S:2/3			Index Addressing File Range				
S:2/4			Saved with Debug Single Step				
S:2/5			DH-485 Incoming Command Pending				
S:2/6			DH-485 Message Reply Pending				
S:2/7			DH-485 Outgoing Message Command Pending				
S:2/15			Comms Servicing Selection				
S:3			Current Scan Time/ Watchdog Scan Time				
S:4			Time Base				
S:5/0			Overflow Trap				
S:5/2			Control Register Error				
S:5/3			Major Err Detected Executing UserFault Routine				
S:5/4			M0-M1 Referenced on Disabled Slot				
S:5/8			Memory Module Boot				
S:5/9			Memory Module Password Mismatch				
S:5/10			STI Overflow				
S:5/11			Battery Low				
S:6			Major Error Fault Code				
S:7			Suspend Code				
S:8			Suspend File				
S:9			Active Nodes				
S:10			Active Nodes				
S:11			I/O Slot Enables				
S:12			I/O Slot Enables				
S:13			Math Register				
S:14			Math Register				
S:15			Node Address/ Baud Rate				
S:16			Debug Single Step Rung				
S:17			Debug Single Step File				
S:18			Debug Single Step Breakpoint Rung				
S:19			Debug Single Step Breakpoint File				
S:20			Debug Fault/ Powerdown Rung				
S:21			Debug Fault/ Powerdown File				
S:22			Maximum Observed Scan Time				
S:23			Average Scan Time				
S:24			Index Register				
S:25			I/O Interrupt Pending				
S:26			I/O Interrupt Pending				
S:27			I/O Interrupt Enabled				
S:28			I/O Interrupt Enabled				
S:29			User Fault Routine File Number				
S:30			STI Setpoint				
S:31			STI File Number				
S:32			I/O Interrupt Executing				
S:33			Extended Proc Status Control Word				
S:33/0			Incoming Command Pending				
S:33/1			Message Reply Pending				
S:33/2			Outgoing Message Command Pending				
S:33/3			Selection Status User/DF1				
S:33/4			Communicat Active				
S:33/5			Communicat Servicing Selection				
S:33/6			Message Servicing Selection Channel 0				
S:33/7			Message Servicing Selection Channel 1				
S:33/8			Interrupt Latency Control Flag				

Address/Symbol Database

Address	Symbol	Scope	Description	Sym Group	Dev. Code	ABV	BLW
S:33/9			Scan Toggle Flag				
S:33/10			Discrete Input Interrupt Reconfigur Flag				
S:33/11			Online Edit Status				
S:33/12			Online Edit Status				
S:33/13			Scan Time Timebase Selection				
S:33/14			DTR Control Bit				
S:33/15			DTR Force Bit				
S:34			Pass-thru Disabled				
S:34/0			Pass-Thru Disabled Flag				
S:34/1			DH+ Active Node Table Enable Flag				
S:34/2			Floating Point Math Flag Disable,Fl				
S:35			Last 1 ms Scan Time				
S:36			Extended Minor Error Bits				
S:36/8			DII Lost				
S:36/9			STI Lost				
S:36/10			Memory Module Data File Overwrite Protection				
S:37			Clock Calendar Year				
S:38			Clock Calendar Month				
S:39			Clock Calendar Day				
S:40			Clock Calendar Hours				
S:41			Clock Calendar Minutes				
S:42			Clock Calendar Seconds				
S:43			STI Interrupt Time				
S:44			I/O Event Interrupt Time				
S:45			DII Interrupt Time				
S:46			Discrete Input Interrupt- File Number				
S:47			Discrete Input Interrupt- Slot Number				
S:48			Discrete Input Interrupt- Bit Mask				
S:49			Discrete Input Interrupt- Compare Value				
S:50			Processor Catalog Number				
S:51			Discrete Input Interrupt- Return Number				
S:52			Discrete Input Interrupt- Accumulat				
S:53			Reserved/ Clock Calendar Day of the Week				
S:55			Last DII Scan Time				
S:56			Maximum Observed DII Scan Time				
S:57			Operating System Catalog Number				
S:58			Operating System Series				
S:59			Operating System FRN				
S:61			Processor Series				
S:62			Processor Revision				
S:63			User Program Type				
S:64			User Program Functional Index				
S:65			User RAM Size				
S:66			Flash EEPROM Size				
S:67			Channel 0 Active Nodes				
S:68			Channel 0 Active Nodes				
S:69			Channel 0 Active Nodes				
S:70			Channel 0 Active Nodes				
S:71			Channel 0 Active Nodes				
S:72			Channel 0 Active Nodes				
S:73			Channel 0 Active Nodes				
S:74			Channel 0 Active Nodes				
S:75			Channel 0 Active Nodes				
S:76			Channel 0 Active Nodes				
S:77			Channel 0 Active Nodes				
S:78			Channel 0 Active Nodes				
S:79			Channel 0 Active Nodes				
S:80			Channel 0 Active Nodes				
S:81			Channel 0 Active Nodes				
S:82			Channel 0 Active Nodes				
S:83			DH+ Active Nodes				
S:84			DH+ Active Nodes				
S:85			DH+ Active Nodes				
S:86			DH+ Active Nodes				
T4:0			t				

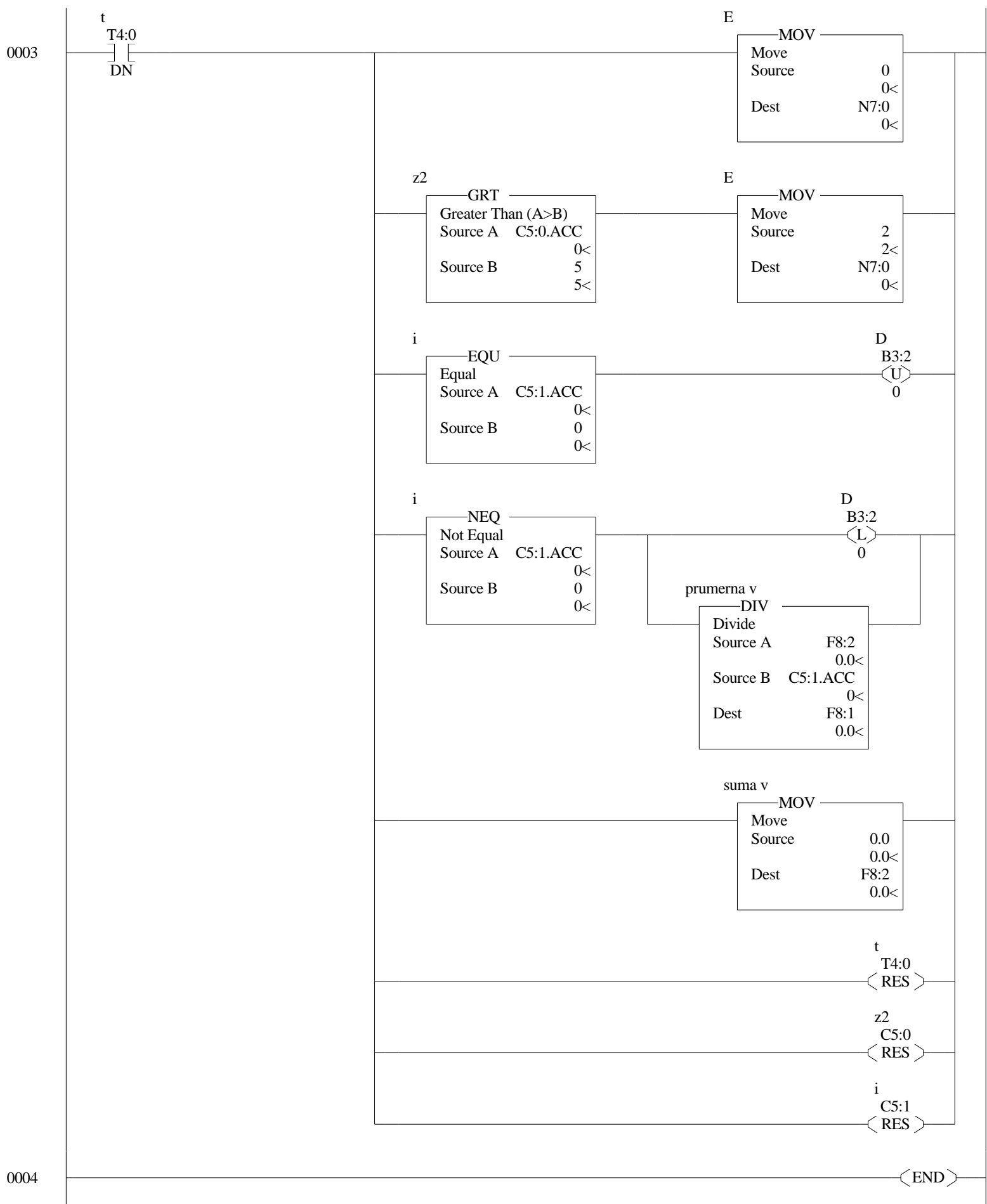






MVM
Masked Move
Source B3:0
0000000000000000<
Mask 000Bh
11<
Dest B3:1
0000000000000000<

<TND>

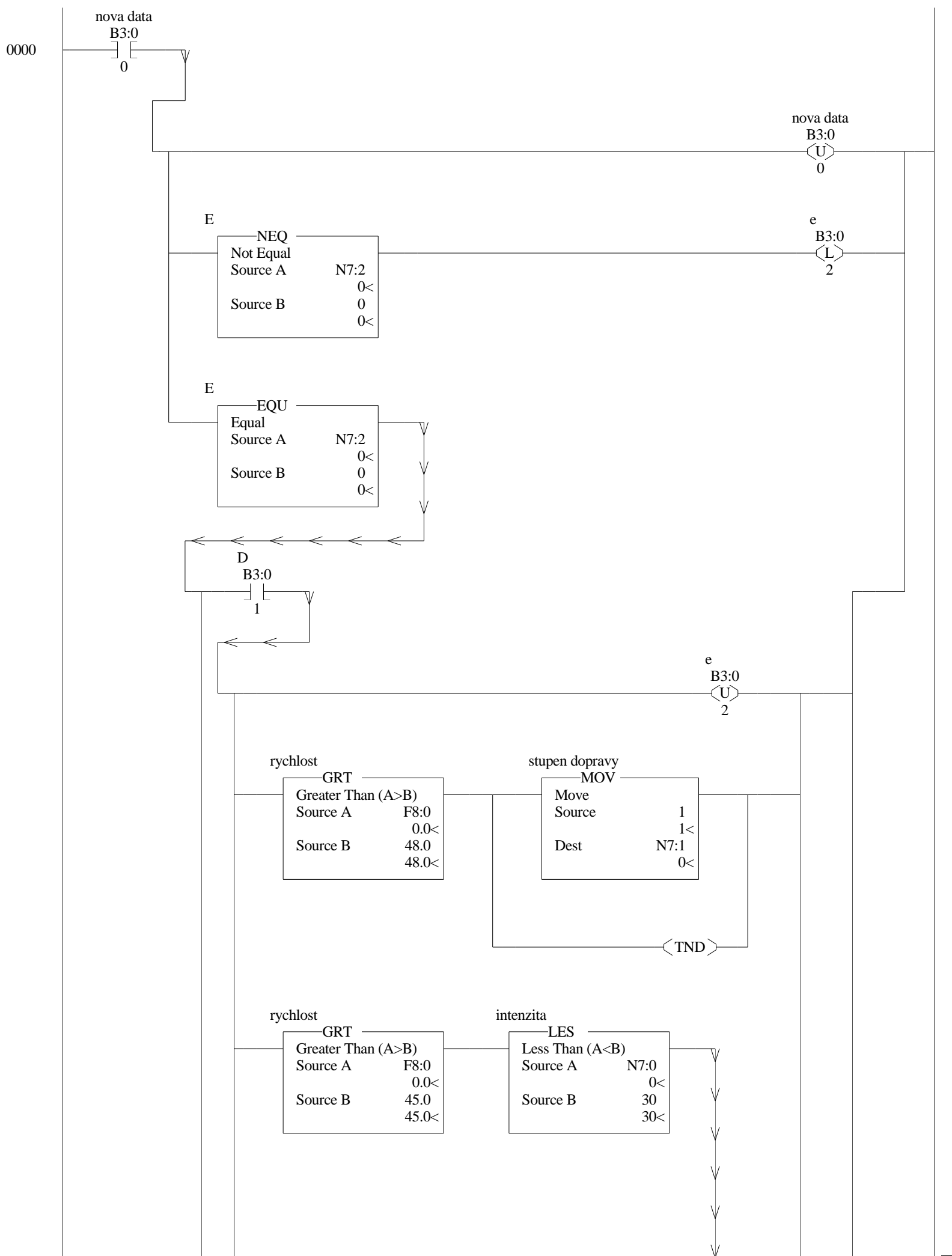


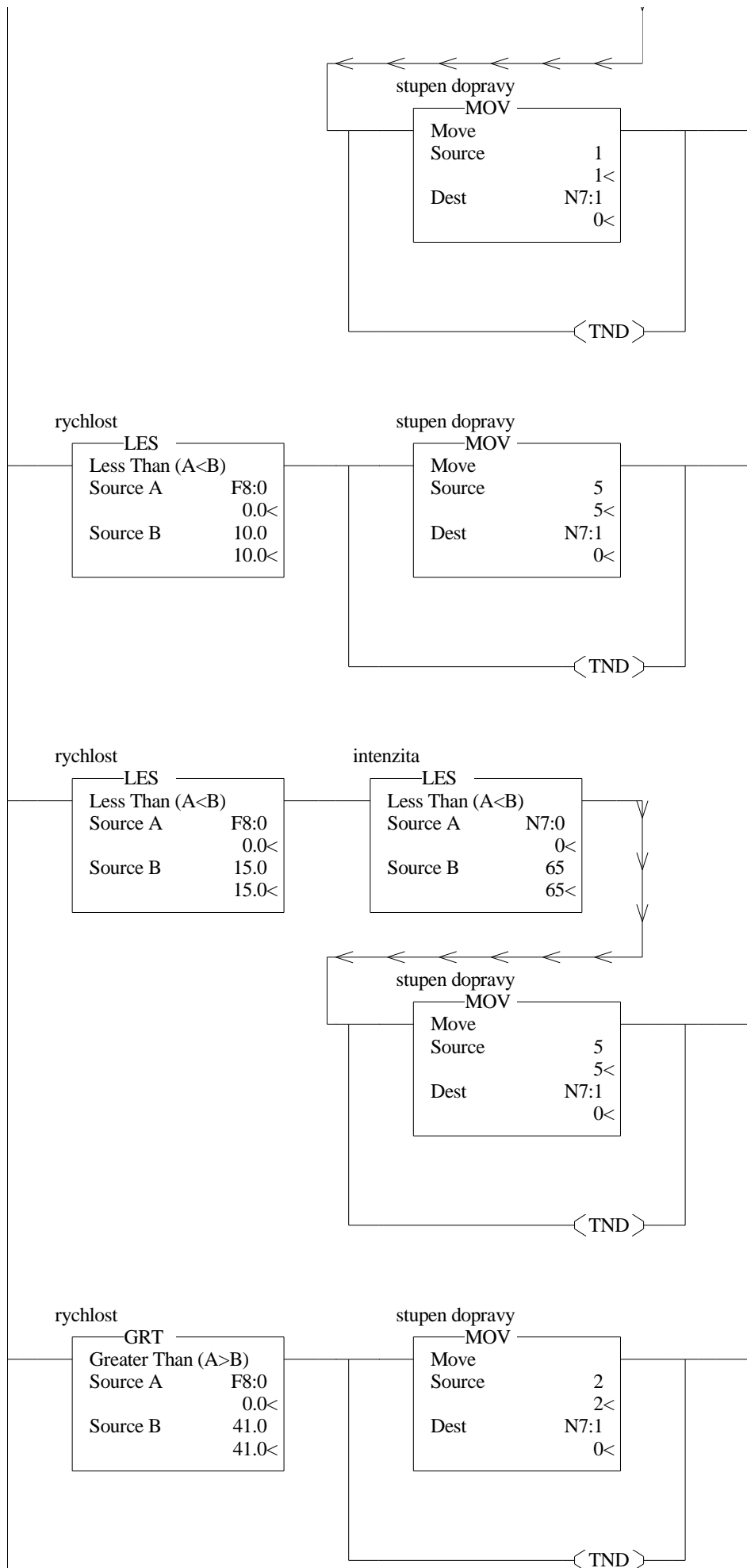
Address/Symbol Database

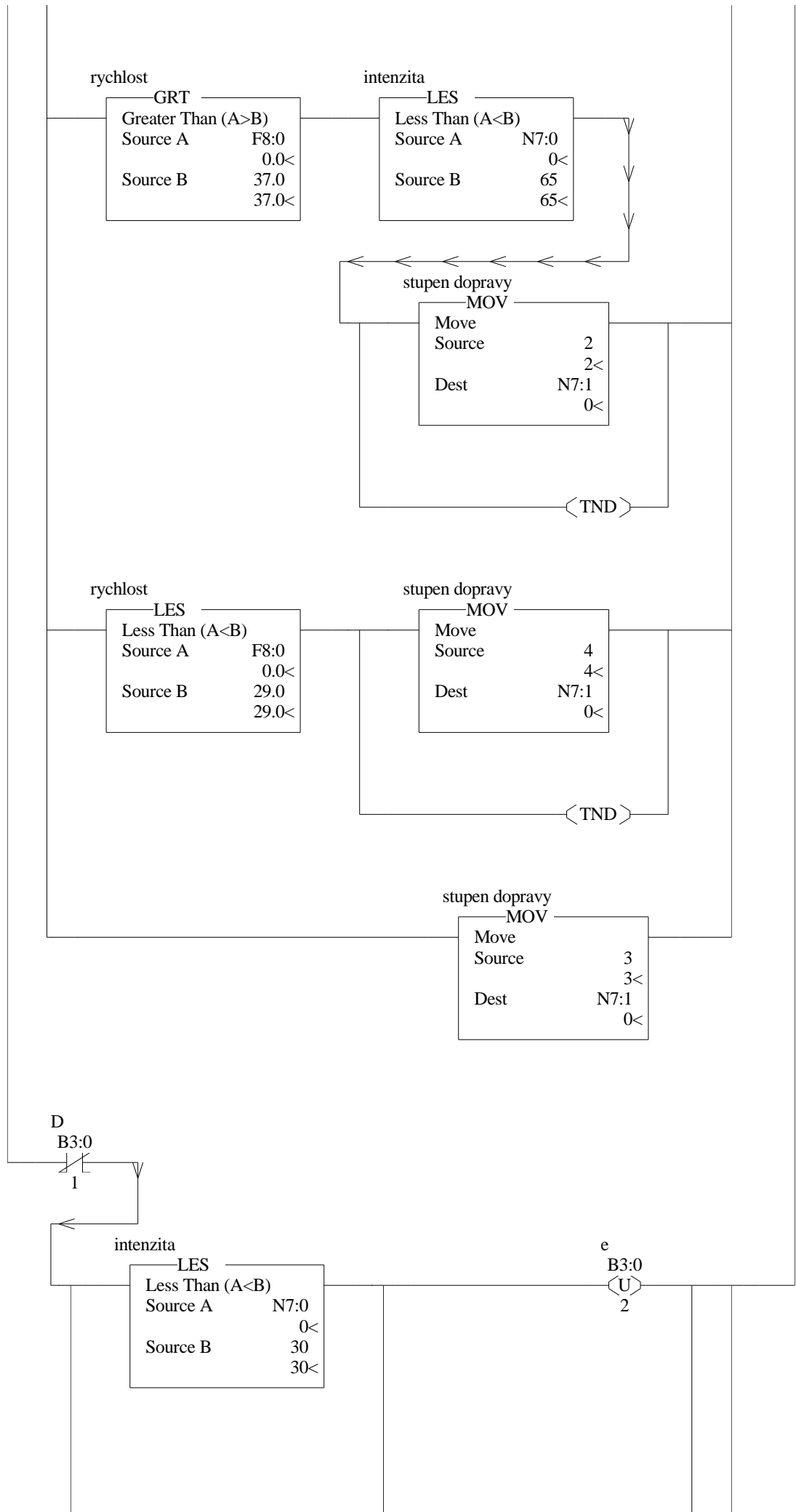
Address	Symbol	Scope	Description	Sym Group	Dev. Code	ABV	BLW
B3:0							
B3:0/0			p1				
B3:0/1			p2				
B3:1							
B3:1/0			p1 stare				
B3:1/1			p2 stare				
B3:2/0			D				
B3:2/1			start T				
C5:0			z2				
C5:0/CT							
C5:1			i				
F8:0			v				
F8:1			prumerna v				
F8:2			suma v				
N7:0			E				
S:0			Arithmetic Flags				
S:0/0			Processor Arithmetic Carry Flag				
S:0/1			Processor Arithmetic Underflow/ Overflow Flag				
S:0/2			Processor Arithmetic Zero Flag				
S:0/3			Processor Arithmetic Sign Flag				
S:1			Processor Mode Status/ Control				
S:1/0			Processor Mode Bit 0				
S:1/1			Processor Mode Bit 1				
S:1/2			Processor Mode Bit 2				
S:1/3			Processor Mode Bit 3				
S:1/4			Processor Mode Bit 4				
S:1/5			Forces Enabled				
S:1/6			Forces Present				
S:1/7			Comms Active				
S:1/8			Fault Override at Powerup				
S:1/9			Startup Protection Fault				
S:1/10			Load Memory Module on Memory Error				
S:1/11			Load Memory Module Always				
S:1/12			Load Memory Module and RUN				
S:1/13			Major Error Halted				
S:1/14			Access Denied				
S:1/15			First Pass				
S:2/0			STI Pending				
S:2/1			STI Enabled				
S:2/2			STI Executing				
S:2/3			Index Addressing File Range				
S:2/4			Saved with Debug Single Step				
S:2/5			DH-485 Incoming Command Pending				
S:2/6			DH-485 Message Reply Pending				
S:2/7			DH-485 Outgoing Message Command Pending				
S:2/15			Comms Servicing Selection				
S:3			Current Scan Time/ Watchdog Scan Time				
S:4			Time Base				
S:5/0			Overflow Trap				
S:5/2			Control Register Error				
S:5/3			Major Err Detected Executing UserFault Routine				
S:5/4			M0-M1 Referenced on Disabled Slot				
S:5/8			Memory Module Boot				
S:5/9			Memory Module Password Mismatch				
S:5/10			STI Overflow				
S:5/11			Battery Low				
S:6			Major Error Fault Code				
S:7			Suspend Code				
S:8			Suspend File				
S:9			Active Nodes				
S:10			Active Nodes				
S:11			I/O Slot Enables				
S:12			I/O Slot Enables				
S:13			Math Register				
S:14			Math Register				
S:15			Node Address/ Baud Rate				
S:16			Debug Single Step Rung				
S:17			Debug Single Step File				
S:18			Debug Single Step Breakpoint Rung				
S:19			Debug Single Step Breakpoint File				
S:20			Debug Fault/ Powerdown Rung				
S:21			Debug Fault/ Powerdown File				
S:22			Maximum Observed Scan Time				
S:23			Average Scan Time				
S:24			Index Register				
S:25			I/O Interrupt Pending				
S:26			I/O Interrupt Pending				
S:27			I/O Interrupt Enabled				
S:28			I/O Interrupt Enabled				
S:29			User Fault Routine File Number				
S:30			STI Setpoint				
S:31			STI File Number				
S:32			I/O Interrupt Executing				
S:33			Extended Proc Status Control Word				
S:33/0			Incoming Command Pending				
S:33/1			Message Reply Pending				
S:33/2			Outgoing Message Command Pending				
S:33/3			Selection Status User/DF1				
S:33/4			Communicat Active				
S:33/5			Communicat Servicing Selection				

Address/Symbol Database

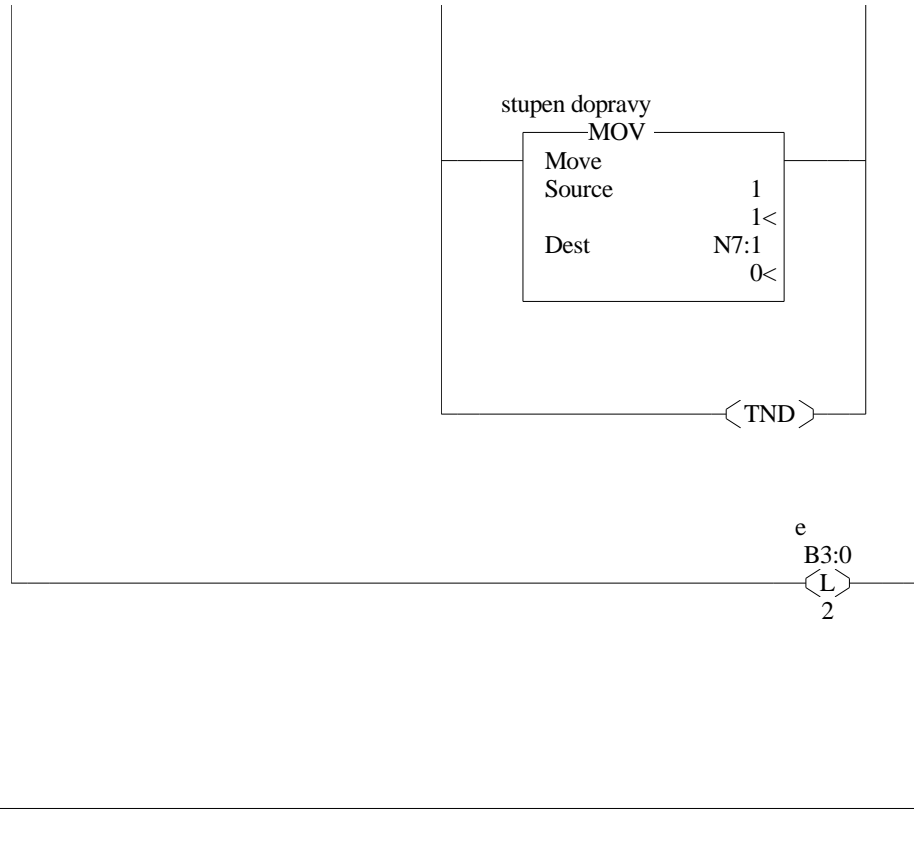
Address	Symbol	Scope	Description	Sym Group	Dev. Code	ABV	BLW
S:33/6			Message Servicing Selection Channel 0				
S:33/7			Message Servicing Selection Channel 1				
S:33/8			Interrupt Latency Control Flag				
S:33/9			Scan Toggle Flag				
S:33/10			Discrete Input Interrupt Reconfigur Flag				
S:33/11			Online Edit Status				
S:33/12			Online Edit Status				
S:33/13			Scan Time Timebase Selection				
S:33/14			DTR Control Bit				
S:33/15			DTR Force Bit				
S:34			Pass-thru Disabled				
S:34/0			Pass-Thru Disabled Flag				
S:34/1			DH+ Active Node Table Enable Flag				
S:34/2			Floating Point Math Flag Disable,Fl				
S:35			Last 1 ms Scan Time				
S:36			Extended Minor Error Bits				
S:36/8			DII Lost				
S:36/9			STI Lost				
S:36/10			Memory Module Data File Overwrite Protection				
S:37			Clock Calendar Year				
S:38			Clock Calendar Month				
S:39			Clock Calendar Day				
S:40			Clock Calendar Hours				
S:41			Clock Calendar Minutes				
S:42			Clock Calendar Seconds				
S:43			STI Interrupt Time				
S:44			I/O Event Interrupt Time				
S:45			DII Interrupt Time				
S:46			Discrete Input Interrupt- File Number				
S:47			Discrete Input Interrupt- Slot Number				
S:48			Discrete Input Interrupt- Bit Mask				
S:49			Discrete Input Interrupt- Compare Value				
S:50			Processor Catalog Number				
S:51			Discrete Input Interrupt- Return Number				
S:52			Discrete Input Interrupt- Accumulat				
S:53			Reserved/ Clock Calendar Day of the Week				
S:55			Last DII Scan Time				
S:56			Maximum Observed DII Scan Time				
S:57			Operating System Catalog Number				
S:58			Operating System Series				
S:59			Operating System FRN				
S:61			Processor Series				
S:62			Processor Revision				
S:63			User Program Type				
S:64			User Program Functional Index				
S:65			User RAM Size				
S:66			Flash EEPROM Size				
S:67			Channel 0 Active Nodes				
S:68			Channel 0 Active Nodes				
S:69			Channel 0 Active Nodes				
S:70			Channel 0 Active Nodes				
S:71			Channel 0 Active Nodes				
S:72			Channel 0 Active Nodes				
S:73			Channel 0 Active Nodes				
S:74			Channel 0 Active Nodes				
S:75			Channel 0 Active Nodes				
S:76			Channel 0 Active Nodes				
S:77			Channel 0 Active Nodes				
S:78			Channel 0 Active Nodes				
S:79			Channel 0 Active Nodes				
S:80			Channel 0 Active Nodes				
S:81			Channel 0 Active Nodes				
S:82			Channel 0 Active Nodes				
S:83			DH+ Active Nodes				
S:84			DH+ Active Nodes				
S:85			DH+ Active Nodes				
S:86			DH+ Active Nodes				
T4:0			t				
T4:1			T				







0001

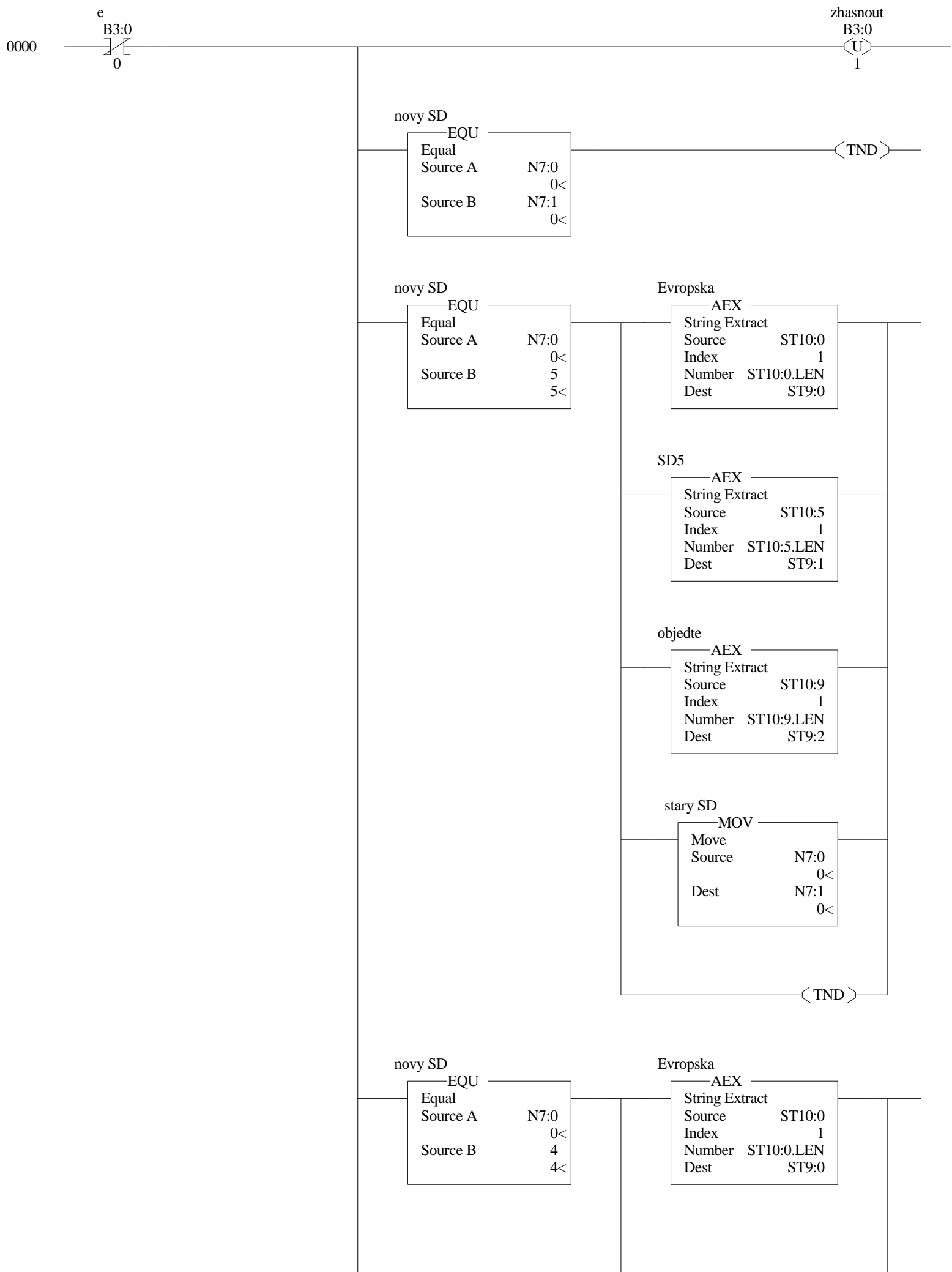


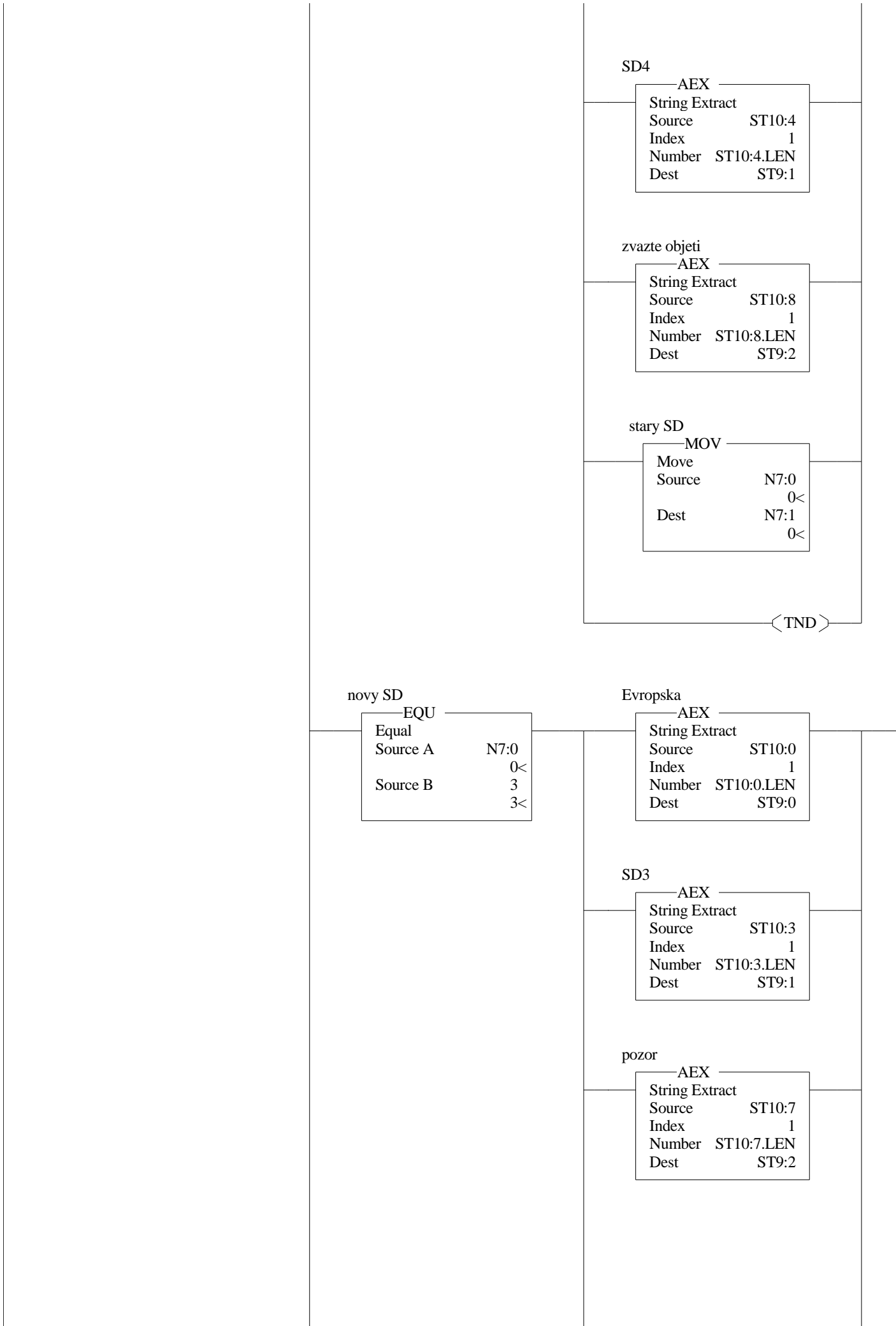
Address/Symbol Database

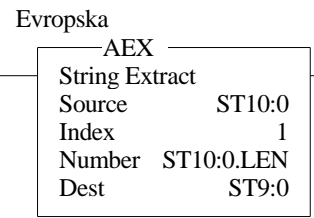
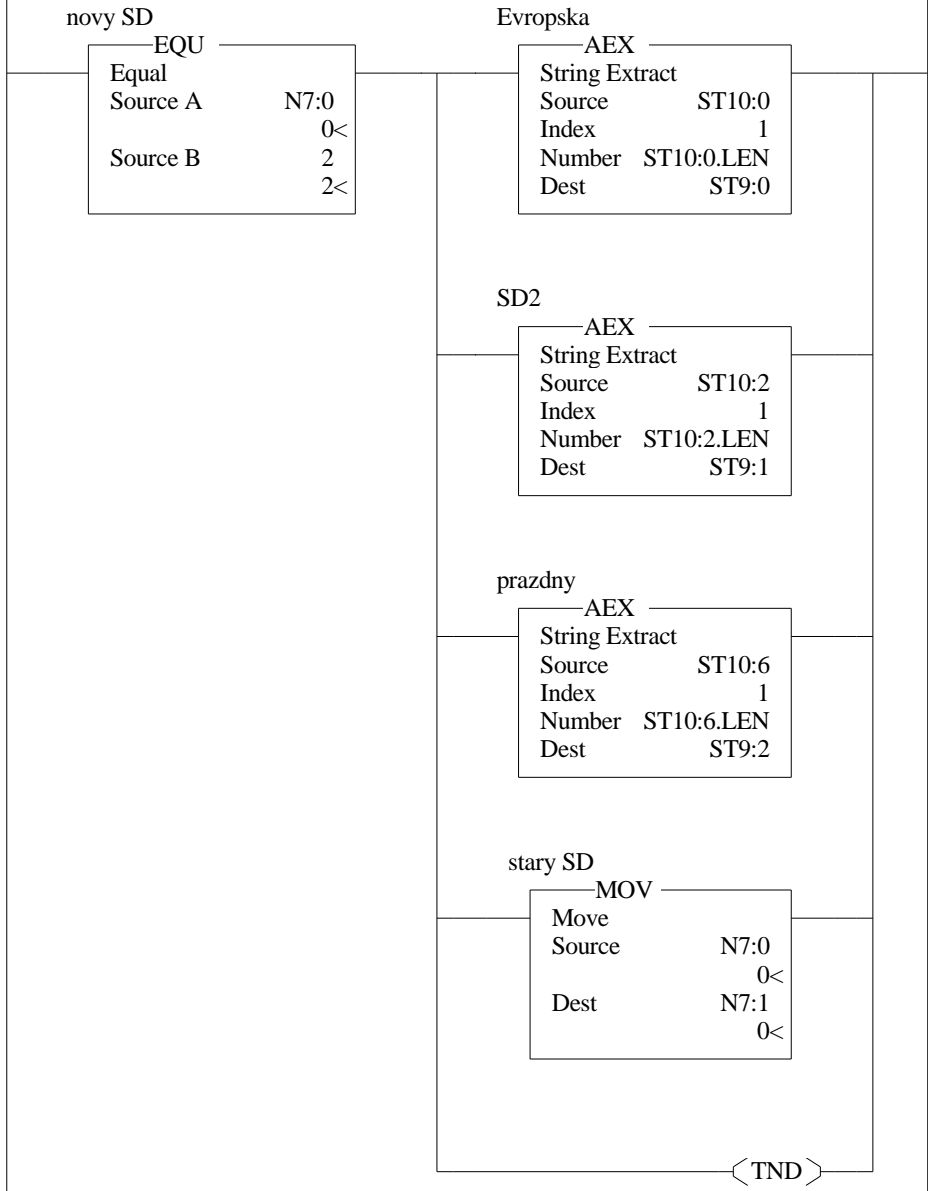
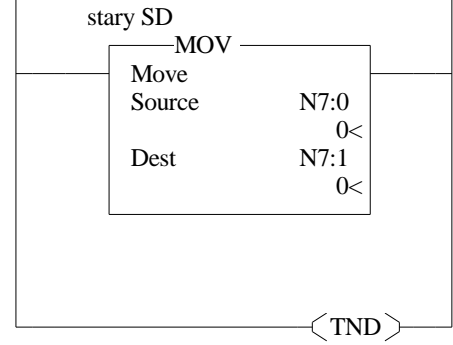
Address	Symbol	Scope	Description	Sym Group	Dev. Code	ABV	BLW
B3:0/0			nova data				
B3:0/1			D				
B3:0/2			e				
F8:0			rychlost				
N7:0			intenzita				
N7:1			stupen dopravy				
N7:2			E				
S:0			Arithmetic Flags				
S:0/0			Processor Arithmetic Carry Flag				
S:0/1			Processor Arithmetic Underflow/ Overflow Flag				
S:0/2			Processor Arithmetic Zero Flag				
S:0/3			Processor Arithmetic Sign Flag				
S:1			Processor Mode Status/ Control				
S:1/0			Processor Mode Bit 0				
S:1/1			Processor Mode Bit 1				
S:1/2			Processor Mode Bit 2				
S:1/3			Processor Mode Bit 3				
S:1/4			Processor Mode Bit 4				
S:1/5			Forces Enabled				
S:1/6			Forces Present				
S:1/7			Comms Active				
S:1/8			Fault Override at Powerup				
S:1/9			Startup Protection Fault				
S:1/10			Load Memory Module on Memory Error				
S:1/11			Load Memory Module Always				
S:1/12			Load Memory Module and RUN				
S:1/13			Major Error Halted				
S:1/14			Access Denied				
S:1/15			First Pass				
S:2/0			STI Pending				
S:2/1			STI Enabled				
S:2/2			STI Executing				
S:2/3			Index Addressing File Range				
S:2/4			Saved with Debug Single Step				
S:2/5			DH-485 Incoming Command Pending				
S:2/6			DH-485 Message Reply Pending				
S:2/7			DH-485 Outgoing Message Command Pending				
S:2/15			Comms Servicing Selection				
S:3			Current Scan Time/ Watchdog Scan Time				
S:4			Time Base				
S:5/0			Overflow Trap				
S:5/2			Control Register Error				
S:5/3			Major Err Detected Executing UserFault Routine				
S:5/4			M0-M1 Referenced on Disabled Slot				
S:5/8			Memory Module Boot				
S:5/9			Memory Module Password Mismatch				
S:5/10			STI Overflow				
S:5/11			Battery Low				
S:6			Major Error Fault Code				
S:7			Suspend Code				
S:8			Suspend File				
S:9			Active Nodes				
S:10			Active Nodes				
S:11			I/O Slot Enables				
S:12			I/O Slot Enables				
S:13			Math Register				
S:14			Math Register				
S:15			Node Address/ Baud Rate				
S:16			Debug Single Step Rung				
S:17			Debug Single Step File				
S:18			Debug Single Step Breakpoint Rung				
S:19			Debug Single Step Breakpoint File				
S:20			Debug Fault/ Powerdown Rung				
S:21			Debug Fault/ Powerdown File				
S:22			Maximum Observed Scan Time				
S:23			Average Scan Time				
S:24			Index Register				
S:25			I/O Interrupt Pending				
S:26			I/O Interrupt Pending				
S:27			I/O Interrupt Enabled				
S:28			I/O Interrupt Enabled				
S:29			User Fault Routine File Number				
S:30			STI Setpoint				
S:31			STI File Number				
S:32			I/O Interrupt Executing				
S:33			Extended Proc Status Control Word				
S:33/0			Incoming Command Pending				
S:33/1			Message Reply Pending				
S:33/2			Outgoing Message Command Pending				
S:33/3			Selection Status User/DF1				
S:33/4			Communicat Active				
S:33/5			Communicat Servicing Selection				
S:33/6			Message Servicing Selection Channel 0				
S:33/7			Message Servicing Selection Channel 1				
S:33/8			Interrupt Latency Control Flag				
S:33/9			Scan Toggle Flag				
S:33/10			Discrete Input Interrupt Reconfigur Flag				
S:33/11			Online Edit Status				
S:33/12			Online Edit Status				
S:33/13			Scan Time Timebase Selection				

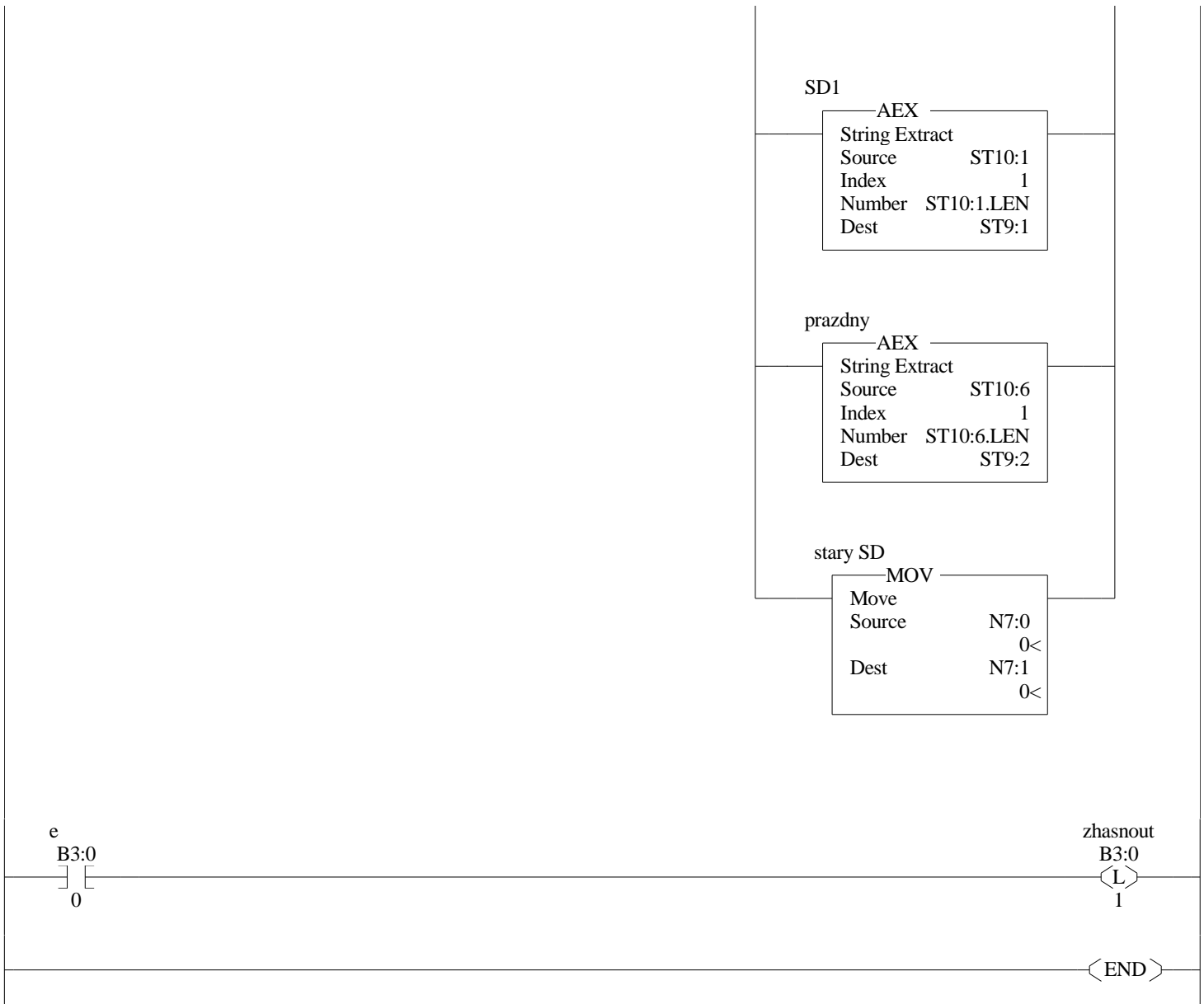
Address/Symbol Database

Address	Symbol	Scope	Description	Sym Group	Dev. Code	ABV	BLW
S:33/14			DTR Control Bit				
S:33/15			DTR Force Bit				
S:34			Pass-thru Disabled				
S:34/0			Pass-Thru Disabled Flag				
S:34/1			DH+ Active Node Table Enable Flag				
S:34/2			Floating Point Math Flag Disable,Fl				
S:35			Last 1 ms Scan Time				
S:36			Extended Minor Error Bits				
S:36/8			DII Lost				
S:36/9			STI Lost				
S:36/10			Memory Module Data File Overwrite Protection				
S:37			Clock Calendar Year				
S:38			Clock Calendar Month				
S:39			Clock Calendar Day				
S:40			Clock Calendar Hours				
S:41			Clock Calendar Minutes				
S:42			Clock Calendar Seconds				
S:43			STI Interrupt Time				
S:44			I/O Event Interrupt Time				
S:45			DII Interrupt Time				
S:46			Discrete Input Interrupt- File Number				
S:47			Discrete Input Interrupt- Slot Number				
S:48			Discrete Input Interrupt- Bit Mask				
S:49			Discrete Input Interrupt- Compare Value				
S:50			Processor Catalog Number				
S:51			Discrete Input Interrupt- Return Number				
S:52			Discrete Input Interrupt- Accumulat				
S:53			Reserved/ Clock Calendar Day of the Week				
S:55			Last DII Scan Time				
S:56			Maximum Observed DII Scan Time				
S:57			Operating System Catalog Number				
S:58			Operating System Series				
S:59			Operating System FRN				
S:61			Processor Series				
S:62			Processor Revision				
S:63			User Program Type				
S:64			User Program Functional Index				
S:65			User RAM Size				
S:66			Flash EEPROM Size				
S:67			Channel 0 Active Nodes				
S:68			Channel 0 Active Nodes				
S:69			Channel 0 Active Nodes				
S:70			Channel 0 Active Nodes				
S:71			Channel 0 Active Nodes				
S:72			Channel 0 Active Nodes				
S:73			Channel 0 Active Nodes				
S:74			Channel 0 Active Nodes				
S:75			Channel 0 Active Nodes				
S:76			Channel 0 Active Nodes				
S:77			Channel 0 Active Nodes				
S:78			Channel 0 Active Nodes				
S:79			Channel 0 Active Nodes				
S:80			Channel 0 Active Nodes				
S:81			Channel 0 Active Nodes				
S:82			Channel 0 Active Nodes				
S:83			DH+ Active Nodes				
S:84			DH+ Active Nodes				
S:85			DH+ Active Nodes				
S:86			DH+ Active Nodes				







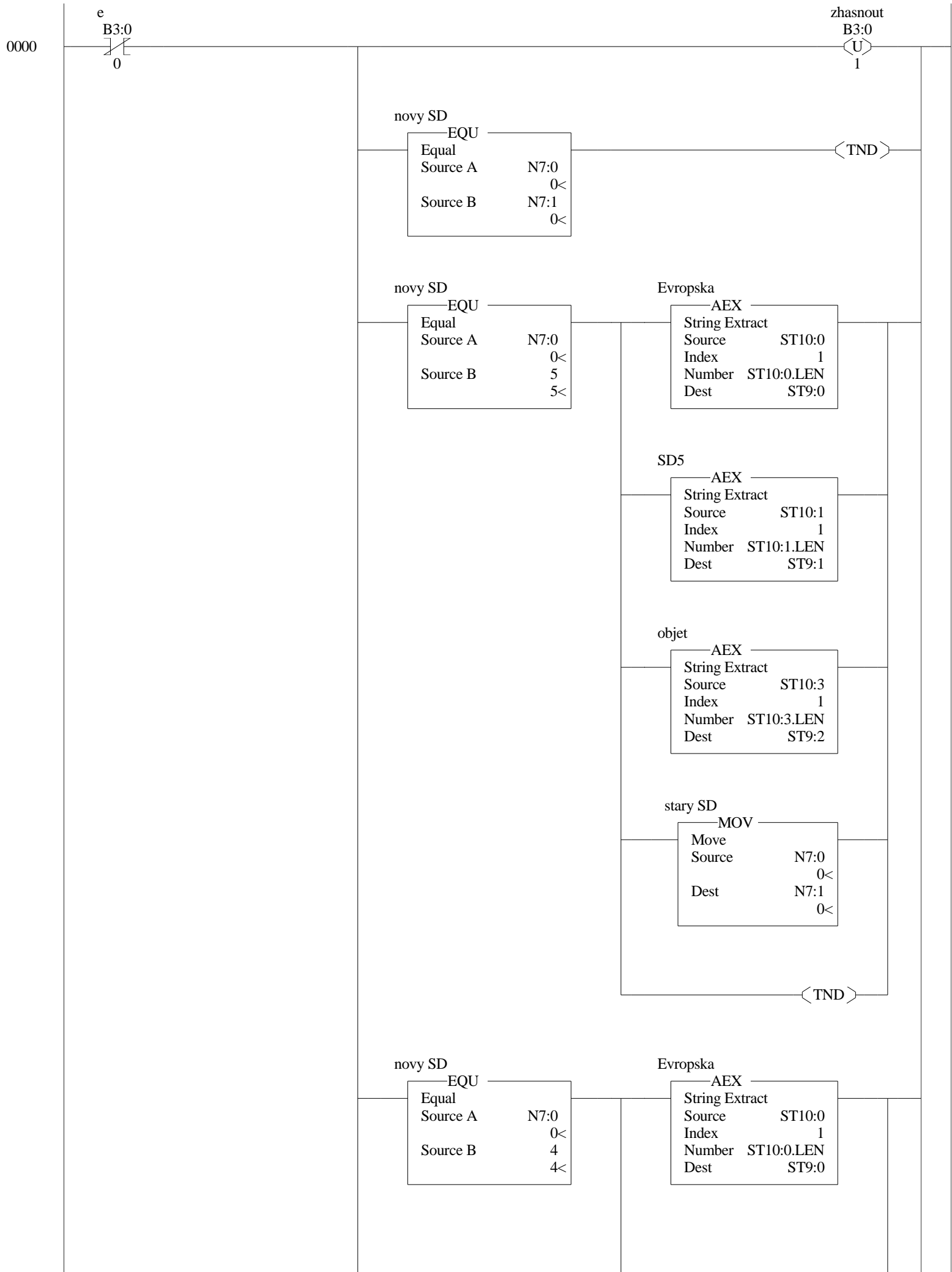


Address/Symbol Database

Address	Symbol	Scope	Description	Sym Group	Dev. Code	ABV	BLW
B3:0/0			e				
B3:0/1			zhasnout				
N7:0			novy SD				
N7:1			stary SD				
S:0			Arithmetic Flags				
S:0/0			Processor Arithmetic Carry Flag				
S:0/1			Processor Arithmetic Underflow/ Overflow Flag				
S:0/2			Processor Arithmetic Zero Flag				
S:0/3			Processor Arithmetic Sign Flag				
S:1			Processor Mode Status/ Control				
S:1/0			Processor Mode Bit 0				
S:1/1			Processor Mode Bit 1				
S:1/2			Processor Mode Bit 2				
S:1/3			Processor Mode Bit 3				
S:1/4			Processor Mode Bit 4				
S:1/5			Forces Enabled				
S:1/6			Forces Present				
S:1/7			Comms Active				
S:1/8			Fault Override at Powerup				
S:1/9			Startup Protection Fault				
S:1/10			Load Memory Module on Memory Error				
S:1/11			Load Memory Module Always				
S:1/12			Load Memory Module and RUN				
S:1/13			Major Error Halted				
S:1/14			Access Denied				
S:1/15			First Pass				
S:2/0			STI Pending				
S:2/1			STI Enabled				
S:2/2			STI Executing				
S:2/3			Index Addressing File Range				
S:2/4			Saved with Debug Single Step				
S:2/5			DH-485 Incoming Command Pending				
S:2/6			DH-485 Message Reply Pending				
S:2/7			DH-485 Outgoing Message Command Pending				
S:2/15			Comms Servicing Selection				
S:3			Current Scan Time/ Watchdog Scan Time				
S:4			Time Base				
S:5/0			Overflow Trap				
S:5/2			Control Register Error				
S:5/3			Major Err Detected Executing UserFault Routine				
S:5/4			M0-M1 Referenced on Disabled Slot				
S:5/8			Memory Module Boot				
S:5/9			Memory Module Password Mismatch				
S:5/10			STI Overflow				
S:5/11			Battery Low				
S:6			Major Error Fault Code				
S:7			Suspend Code				
S:8			Suspend File				
S:9			Active Nodes				
S:10			Active Nodes				
S:11			I/O Slot Enables				
S:12			I/O Slot Enables				
S:13			Math Register				
S:14			Math Register				
S:15			Node Address/ Baud Rate				
S:16			Debug Single Step Rung				
S:17			Debug Single Step File				
S:18			Debug Single Step Breakpoint Rung				
S:19			Debug Single Step Breakpoint File				
S:20			Debug Fault/ Powerdown Rung				
S:21			Debug Fault/ Powerdown File				
S:22			Maximum Observed Scan Time				
S:23			Average Scan Time				
S:24			Index Register				
S:25			I/O Interrupt Pending				
S:26			I/O Interrupt Pending				
S:27			I/O Interrupt Enabled				
S:28			I/O Interrupt Enabled				
S:29			User Fault Routine File Number				
S:30			STI Setpoint				
S:31			STI File Number				
S:32			I/O Interrupt Executing				
S:33			Extended Proc Status Control Word				
S:33/0			Incoming Command Pending				
S:33/1			Message Reply Pending				
S:33/2			Outgoing Message Command Pending				
S:33/3			Selection Status User/DF1				
S:33/4			Communicat Active				
S:33/5			Communicat Servicing Selection				
S:33/6			Message Servicing Selection Channel 0				
S:33/7			Message Servicing Selection Channel 1				
S:33/8			Interrupt Latency Control Flag				
S:33/9			Scan Toggle Flag				
S:33/10			Discrete Input Interrupt Reconfigur Flag				
S:33/11			Online Edit Status				
S:33/12			Online Edit Status				
S:33/13			Scan Time Timebase Selection				
S:33/14			DTR Control Bit				
S:33/15			DTR Force Bit				
S:34			Pass-thru Disabled				

Address/Symbol Database

Address	Symbol	Scope	Description	Sym Group	Dev. Code	ABV	BLW
S:34/0			Pass-Thru Disabled Flag				
S:34/1			DH+ Active Node Table Enable Flag				
S:34/2			Floating Point Math Flag Disable,Fl				
S:35			Last 1 ms Scan Time				
S:36			Extended Minor Error Bits				
S:36/8			DII Lost				
S:36/9			STI Lost				
S:36/10			Memory Module Data File Overwrite Protection				
S:37			Clock Calendar Year				
S:38			Clock Calendar Month				
S:39			Clock Calendar Day				
S:40			Clock Calendar Hours				
S:41			Clock Calendar Minutes				
S:42			Clock Calendar Seconds				
S:43			STI Interrupt Time				
S:44			I/O Event Interrupt Time				
S:45			DII Interrupt Time				
S:46			Discrete Input Interrupt- File Number				
S:47			Discrete Input Interrupt- Slot Number				
S:48			Discrete Input Interrupt- Bit Mask				
S:49			Discrete Input Interrupt- Compare Value				
S:50			Processor Catalog Number				
S:51			Discrete Input Interrupt- Return Number				
S:52			Discrete Input Interrupt- Accumulat				
S:53			Reserved/ Clock Calendar Day of the Week				
S:55			Last DII Scan Time				
S:56			Maximum Observed DII Scan Time				
S:57			Operating System Catalog Number				
S:58			Operating System Series				
S:59			Operating System FRN				
S:61			Processor Series				
S:62			Processor Revision				
S:63			User Program Type				
S:64			User Program Functional Index				
S:65			User RAM Size				
S:66			Flash EEPROM Size				
S:67			Channel 0 Active Nodes				
S:68			Channel 0 Active Nodes				
S:69			Channel 0 Active Nodes				
S:70			Channel 0 Active Nodes				
S:71			Channel 0 Active Nodes				
S:72			Channel 0 Active Nodes				
S:73			Channel 0 Active Nodes				
S:74			Channel 0 Active Nodes				
S:75			Channel 0 Active Nodes				
S:76			Channel 0 Active Nodes				
S:77			Channel 0 Active Nodes				
S:78			Channel 0 Active Nodes				
S:79			Channel 0 Active Nodes				
S:80			Channel 0 Active Nodes				
S:81			Channel 0 Active Nodes				
S:82			Channel 0 Active Nodes				
S:83			DH+ Active Nodes				
S:84			DH+ Active Nodes				
S:85			DH+ Active Nodes				
S:86			DH+ Active Nodes				
ST9:0			prvni radek				
ST9:1			druhy radek				
ST9:2			treti radek				
ST10:0			Evropska				
ST10:0.LEN							
ST10:1			SD1				
ST10:2			SD2				
ST10:3			SD3				
ST10:4			SD4				
ST10:5			SD5				
ST10:6			prazdny				
ST10:7			pozor				
ST10:8			zvazte objekti				
ST10:9			objedte				



SD4

AEX

String Extract	
Source	ST10:2
Index	1
Number	ST10:2.LEN
Dest	ST9:1

prazdny

AEX

String Extract	
Source	ST10:4
Index	1
Number	ST10:4.LEN
Dest	ST9:2

stary SD

MOV

Move	
Source	N7:0
	0<
Dest	N7:1
	0<

<TND>

prazdny

AEX

String Extract	
Source	ST10:4
Index	1
Number	ST10:4.LEN
Dest	ST9:0

prazdny

AEX

String Extract	
Source	ST10:4
Index	1
Number	ST10:4.LEN
Dest	ST9:1

prazdny

AEX

String Extract	
Source	ST10:4
Index	1
Number	ST10:4.LEN
Dest	ST9:2

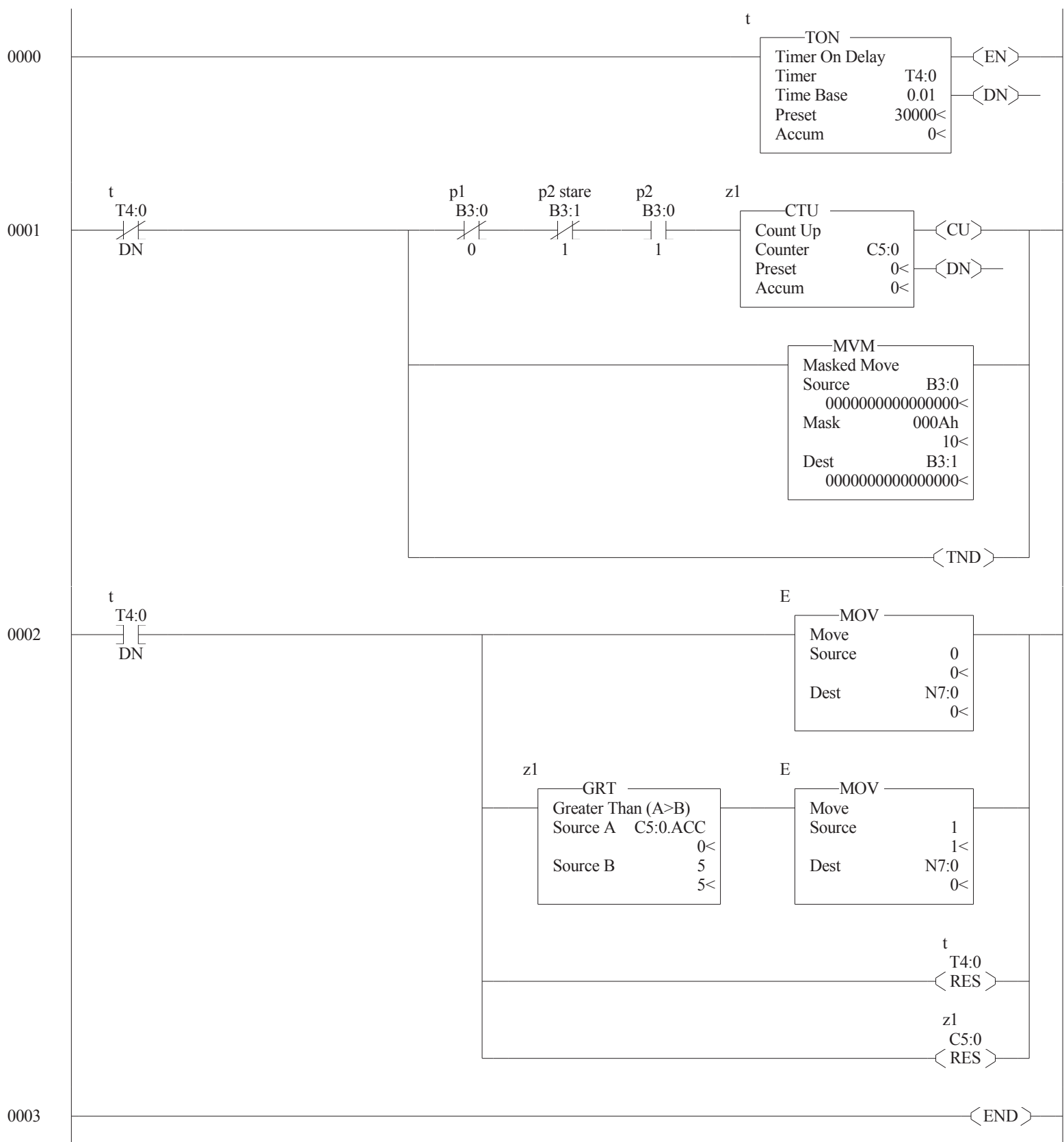


Address/Symbol Database

Address	Symbol	Scope	Description	Sym Group	Dev. Code	ABV	BLW
B3:0/0			e				
B3:0/1			zhasnout				
N7:0			novy SD				
N7:1			stary SD				
N7:2							
S:0			Arithmetic Flags				
S:0/0			Processor Arithmetic Carry Flag				
S:0/1			Processor Arithmetic Underflow/ Overflow Flag				
S:0/2			Processor Arithmetic Zero Flag				
S:0/3			Processor Arithmetic Sign Flag				
S:1			Processor Mode Status/ Control				
S:1/0			Processor Mode Bit 0				
S:1/1			Processor Mode Bit 1				
S:1/2			Processor Mode Bit 2				
S:1/3			Processor Mode Bit 3				
S:1/4			Processor Mode Bit 4				
S:1/5			Forces Enabled				
S:1/6			Forces Present				
S:1/7			Comms Active				
S:1/8			Fault Override at Powerup				
S:1/9			Startup Protection Fault				
S:1/10			Load Memory Module on Memory Error				
S:1/11			Load Memory Module Always				
S:1/12			Load Memory Module and RUN				
S:1/13			Major Error Halted				
S:1/14			Access Denied				
S:1/15			First Pass				
S:2/0			STI Pending				
S:2/1			STI Enabled				
S:2/2			STI Executing				
S:2/3			Index Addressing File Range				
S:2/4			Saved with Debug Single Step				
S:2/5			DH-485 Incoming Command Pending				
S:2/6			DH-485 Message Reply Pending				
S:2/7			DH-485 Outgoing Message Command Pending				
S:2/15			Comms Servicing Selection				
S:3			Current Scan Time/ Watchdog Scan Time				
S:4			Time Base				
S:5/0			Overflow Trap				
S:5/2			Control Register Error				
S:5/3			Major Err Detected Executing UserFault Routine				
S:5/4			M0-M1 Referenced on Disabled Slot				
S:5/8			Memory Module Boot				
S:5/9			Memory Module Password Mismatch				
S:5/10			STI Overflow				
S:5/11			Battery Low				
S:6			Major Error Fault Code				
S:7			Suspend Code				
S:8			Suspend File				
S:9			Active Nodes				
S:10			Active Nodes				
S:11			I/O Slot Enables				
S:12			I/O Slot Enables				
S:13			Math Register				
S:14			Math Register				
S:15			Node Address/ Baud Rate				
S:16			Debug Single Step Rung				
S:17			Debug Single Step File				
S:18			Debug Single Step Breakpoint Rung				
S:19			Debug Single Step Breakpoint File				
S:20			Debug Fault/ Powerdown Rung				
S:21			Debug Fault/ Powerdown File				
S:22			Maximum Observed Scan Time				
S:23			Average Scan Time				
S:24			Index Register				
S:25			I/O Interrupt Pending				
S:26			I/O Interrupt Pending				
S:27			I/O Interrupt Enabled				
S:28			I/O Interrupt Enabled				
S:29			User Fault Routine File Number				
S:30			STI Setpoint				
S:31			STI File Number				
S:32			I/O Interrupt Executing				
S:33			Extended Proc Status Control Word				
S:33/0			Incoming Command Pending				
S:33/1			Message Reply Pending				
S:33/2			Outgoing Message Command Pending				
S:33/3			Selection Status User/DF1				
S:33/4			Communicat Active				
S:33/5			Communicat Servicing Selection				
S:33/6			Message Servicing Selection Channel 0				
S:33/7			Message Servicing Selection Channel 1				
S:33/8			Interrupt Latency Control Flag				
S:33/9			Scan Toggle Flag				
S:33/10			Discrete Input Interrupt Reconfigur Flag				
S:33/11			Online Edit Status				
S:33/12			Online Edit Status				
S:33/13			Scan Time Timebase Selection				
S:33/14			DTR Control Bit				
S:33/15			DTR Force Bit				

Address/Symbol Database

Address	Symbol	Scope	Description	Sym Group	Dev. Code	ABV	BLW
S:34			Pass-thru Disabled				
S:34/0			Pass-Thru Disabled Flag				
S:34/1			DH+ Active Node Table Enable Flag				
S:34/2			Floating Point Math Flag Disable,Fl				
S:35			Last 1 ms Scan Time				
S:36			Extended Minor Error Bits				
S:36/8			DII Lost				
S:36/9			STI Lost				
S:36/10			Memory Module Data File Overwrite Protection				
S:37			Clock Calendar Year				
S:38			Clock Calendar Month				
S:39			Clock Calendar Day				
S:40			Clock Calendar Hours				
S:41			Clock Calendar Minutes				
S:42			Clock Calendar Seconds				
S:43			STI Interrupt Time				
S:44			I/O Event Interrupt Time				
S:45			DII Interrupt Time				
S:46			Discrete Input Interrupt- File Number				
S:47			Discrete Input Interrupt- Slot Number				
S:48			Discrete Input Interrupt- Bit Mask				
S:49			Discrete Input Interrupt- Compare Value				
S:50			Processor Catalog Number				
S:51			Discrete Input Interrupt- Return Number				
S:52			Discrete Input Interrupt- Accumulat				
S:53			Reserved/ Clock Calendar Day of the Week				
S:55			Last DII Scan Time				
S:56			Maximum Observed DII Scan Time				
S:57			Operating System Catalog Number				
S:58			Operating System Series				
S:59			Operating System FRN				
S:61			Processor Series				
S:62			Processor Revision				
S:63			User Program Type				
S:64			User Program Functional Index				
S:65			User RAM Size				
S:66			Flash EEPROM Size				
S:67			Channel 0 Active Nodes				
S:68			Channel 0 Active Nodes				
S:69			Channel 0 Active Nodes				
S:70			Channel 0 Active Nodes				
S:71			Channel 0 Active Nodes				
S:72			Channel 0 Active Nodes				
S:73			Channel 0 Active Nodes				
S:74			Channel 0 Active Nodes				
S:75			Channel 0 Active Nodes				
S:76			Channel 0 Active Nodes				
S:77			Channel 0 Active Nodes				
S:78			Channel 0 Active Nodes				
S:79			Channel 0 Active Nodes				
S:80			Channel 0 Active Nodes				
S:81			Channel 0 Active Nodes				
S:82			Channel 0 Active Nodes				
S:83			DH+ Active Nodes				
S:84			DH+ Active Nodes				
S:85			DH+ Active Nodes				
S:86			DH+ Active Nodes				
ST9:0			prvni radek				
ST9:1			druhy radek				
ST9:2			treti radek				
ST9:2.LEN							
ST10:0			Evropska				
ST10:0.LEN			misto				
ST10:1			SD5				
ST10:2			SD4				
ST10:2.LEN			SD4				
ST10:3			objet				
ST10:4			prazdny				
ST10:4.LEN			prazdny				



Address/Symbol Database

Address	Symbol	Scope	Description	Sym Group	Dev. Code	ABV	BLW
B3:0/0			p1				
B3:0/1			p2				
B3:1							
B3:1/1			p2 stare				
C5:0			z1				
N7:0			E				
S:0			Arithmetic Flags				
S:0/0			Processor Arithmetic Carry Flag				
S:0/1			Processor Arithmetic Underflow/ Overflow Flag				
S:0/2			Processor Arithmetic Zero Flag				
S:0/3			Processor Arithmetic Sign Flag				
S:1			Processor Mode Status/ Control				
S:1/0			Processor Mode Bit 0				
S:1/1			Processor Mode Bit 1				
S:1/2			Processor Mode Bit 2				
S:1/3			Processor Mode Bit 3				
S:1/4			Processor Mode Bit 4				
S:1/5			Forces Enabled				
S:1/6			Forces Present				
S:1/7			Comms Active				
S:1/8			Fault Override at Powerup				
S:1/9			Startup Protection Fault				
S:1/10			Load Memory Module on Memory Error				
S:1/11			Load Memory Module Always				
S:1/12			Load Memory Module and RUN				
S:1/13			Major Error Halted				
S:1/14			Access Denied				
S:1/15			First Pass				
S:2/0			STI Pending				
S:2/1			STI Enabled				
S:2/2			STI Executing				
S:2/3			Index Addressing File Range				
S:2/4			Saved with Debug Single Step				
S:2/5			DH-485 Incoming Command Pending				
S:2/6			DH-485 Message Reply Pending				
S:2/7			DH-485 Outgoing Message Command Pending				
S:2/15			Comms Servicing Selection				
S:3			Current Scan Time/ Watchdog Scan Time				
S:4			Time Base				
S:5/0			Overflow Trap				
S:5/2			Control Register Error				
S:5/3			Major Err Detected Executing UserFault Routine				
S:5/4			M0-M1 Referenced on Disabled Slot				
S:5/8			Memory Module Boot				
S:5/9			Memory Module Password Mismatch				
S:5/10			STI Overflow				
S:5/11			Battery Low				
S:6			Major Error Fault Code				
S:7			Suspend Code				
S:8			Suspend File				
S:9			Active Nodes				
S:10			Active Nodes				
S:11			I/O Slot Enables				
S:12			I/O Slot Enables				
S:13			Math Register				
S:14			Math Register				
S:15			Node Address/ Baud Rate				
S:16			Debug Single Step Rung				
S:17			Debug Single Step File				
S:18			Debug Single Step Breakpoint Rung				
S:19			Debug Single Step Breakpoint File				
S:20			Debug Fault/ Powerdown Rung				
S:21			Debug Fault/ Powerdown File				
S:22			Maximum Observed Scan Time				
S:23			Average Scan Time				
S:24			Index Register				
S:25			I/O Interrupt Pending				
S:26			I/O Interrupt Pending				
S:27			I/O Interrupt Enabled				
S:28			I/O Interrupt Enabled				
S:29			User Fault Routine File Number				
S:30			STI Setpoint				
S:31			STI File Number				
S:32			I/O Interrupt Executing				
S:33			Extended Proc Status Control Word				
S:33/0			Incoming Command Pending				
S:33/1			Message Reply Pending				
S:33/2			Outgoing Message Command Pending				
S:33/3			Selection Status User/DF1				
S:33/4			Communicat Active				
S:33/5			Communicat Servicing Selection				
S:33/6			Message Servicing Selection Channel 0				
S:33/7			Message Servicing Selection Channel 1				
S:33/8			Interrupt Latency Control Flag				
S:33/9			Scan Toggle Flag				
S:33/10			Discrete Input Interrupt Reconfigur Flag				
S:33/11			Online Edit Status				
S:33/12			Online Edit Status				
S:33/13			Scan Time Timebase Selection				
S:33/14			DTR Control Bit				

Address/Symbol Database

Address	Symbol	Scope	Description	Sym Group	Dev. Code	ABV	BLW
S:33/15			DTR Force Bit				
S:34			Pass-thru Disabled				
S:34/0			Pass-Thru Disabled Flag				
S:34/1			DH+ Active Node Table Enable Flag				
S:34/2			Floating Point Math Flag Disable,Fl				
S:35			Last 1 ms Scan Time				
S:36			Extended Minor Error Bits				
S:36/8			DII Lost				
S:36/9			STI Lost				
S:36/10			Memory Module Data File Overwrite Protection				
S:37			Clock Calendar Year				
S:38			Clock Calendar Month				
S:39			Clock Calendar Day				
S:40			Clock Calendar Hours				
S:41			Clock Calendar Minutes				
S:42			Clock Calendar Seconds				
S:43			STI Interrupt Time				
S:44			I/O Event Interrupt Time				
S:45			DII Interrupt Time				
S:46			Discrete Input Interrupt- File Number				
S:47			Discrete Input Interrupt- Slot Number				
S:48			Discrete Input Interrupt- Bit Mask				
S:49			Discrete Input Interrupt- Compare Value				
S:50			Processor Catalog Number				
S:51			Discrete Input Interrupt- Return Number				
S:52			Discrete Input Interrupt- Accumulat				
S:53			Reserved/ Clock Calendar Day of the Week				
S:55			Last DII Scan Time				
S:56			Maximum Observed DII Scan Time				
S:57			Operating System Catalog Number				
S:58			Operating System Series				
S:59			Operating System FRN				
S:61			Processor Series				
S:62			Processor Revision				
S:63			User Program Type				
S:64			User Program Functional Index				
S:65			User RAM Size				
S:66			Flash EEPROM Size				
S:67			Channel 0 Active Nodes				
S:68			Channel 0 Active Nodes				
S:69			Channel 0 Active Nodes				
S:70			Channel 0 Active Nodes				
S:71			Channel 0 Active Nodes				
S:72			Channel 0 Active Nodes				
S:73			Channel 0 Active Nodes				
S:74			Channel 0 Active Nodes				
S:75			Channel 0 Active Nodes				
S:76			Channel 0 Active Nodes				
S:77			Channel 0 Active Nodes				
S:78			Channel 0 Active Nodes				
S:79			Channel 0 Active Nodes				
S:80			Channel 0 Active Nodes				
S:81			Channel 0 Active Nodes				
S:82			Channel 0 Active Nodes				
S:83			DH+ Active Nodes				
S:84			DH+ Active Nodes				
S:85			DH+ Active Nodes				
S:86			DH+ Active Nodes				
T4:0			t				