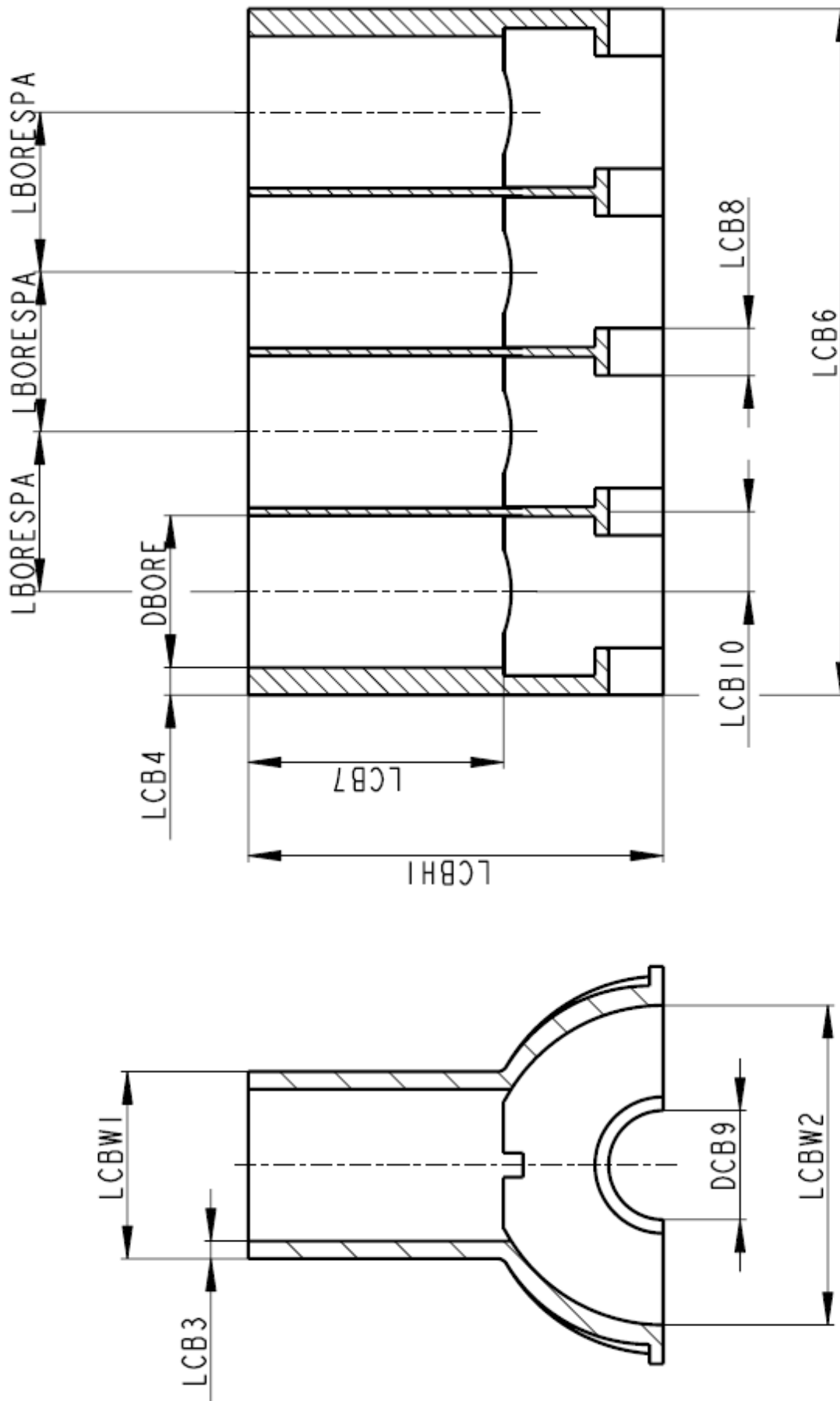

List of Attachments

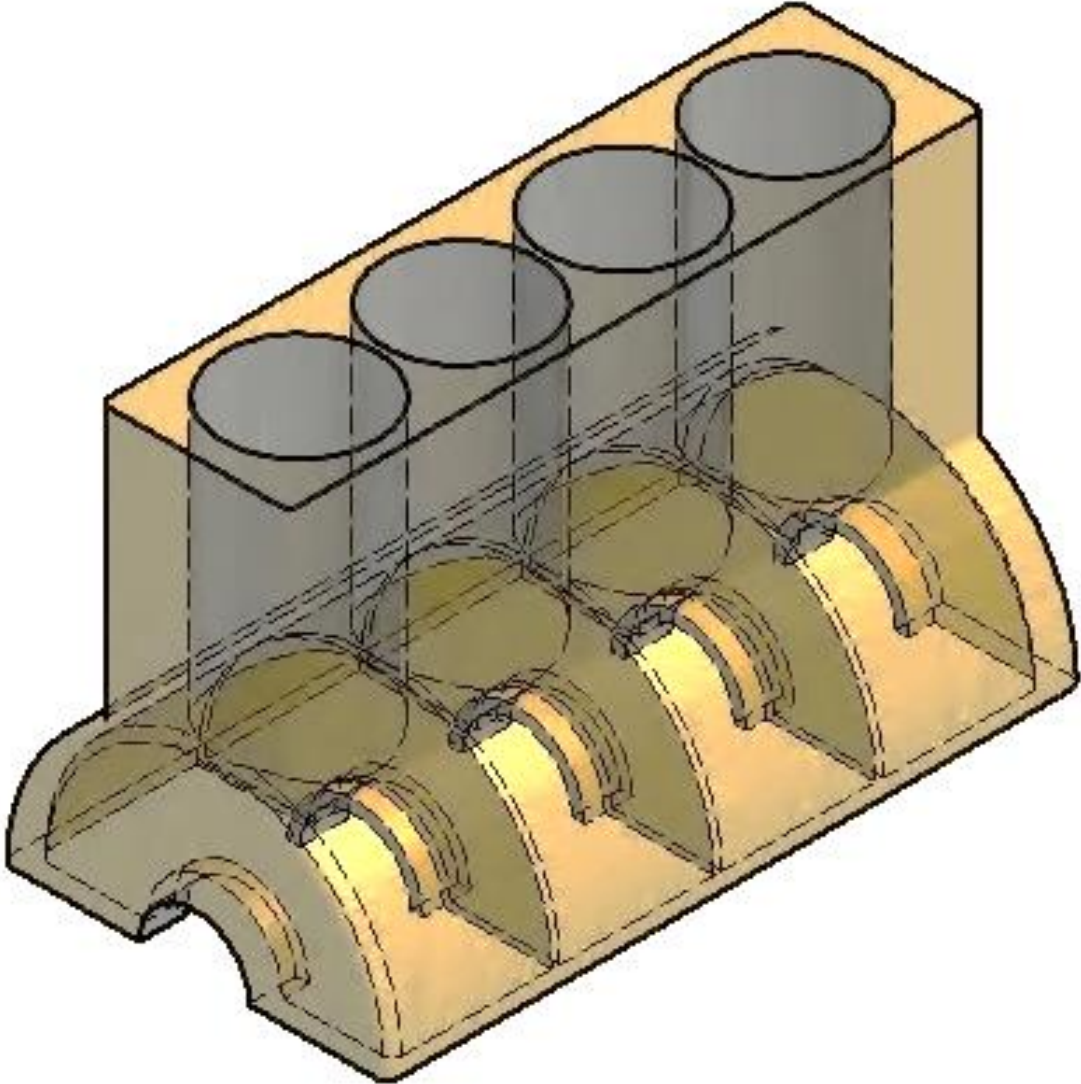
- Attachment 1. Cylinder Block Parameters**
- Attachment 2. Cylinder Block - 3D Model**
- Attachment 3. Piston Pin Parameters - 3D Model**
- Attachment 4. Piston Parameters - 3D Model**
- Attachment 5. Connecting Rod Parameters - 3D Model**
- Attachment 6. Crankshaft Parameters**
- Attachment 7. Crankshaft - 3D Model**
- Attachment 8. Cylinder Head Parameters**
- Attachment 9. Cylinder Head - 3D Model**
- Attachment 10. Camshaft Parameters - 3D Model**
- Attachment 11. Intake Valve Parameters - 3D Model**
- Attachment 12. Exhaust Valve Parameters - 3D Model**
- Attachment 13. Head Cover Parameters - 3D Model**
- Attachment 14. Table of Engine Parameters – Page 1.**
- Attachment 15. Table of Engine Parameters – Page 1.**
- Attachment 16. Table of Engine Parameters – Page 3.**

List of Figures

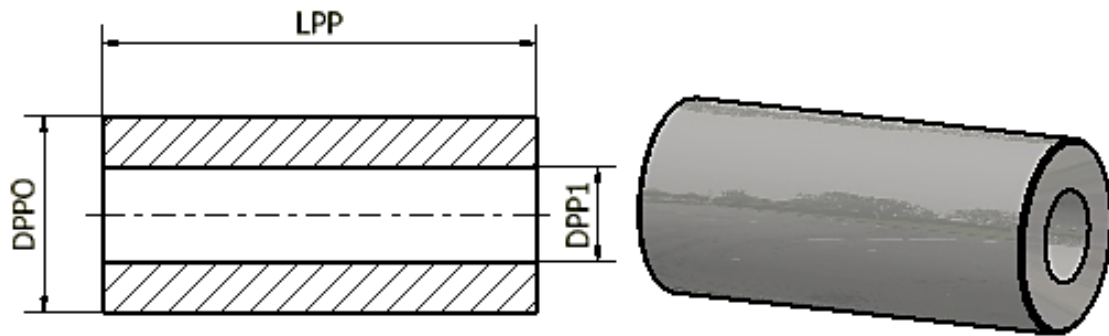
- Figure 1. Example of Diesel Engine Assembly**
- Figure 2. Parametrization of Connecting Rod**
- Figure 3. Dimensioned Connecting Rod with center of gravity and inside bearing shells**
- Figure 4. Parametric Table with opened design constraints of Piston**
- Figure 5. Side view of Engine**
- Figure 6. Engine without Engine Block and Cylinder Head**
- Figure 7. Piston section view**
- Figure 8. Piston rings**
- Figure 9. Connecting rod**
- Figure 10. Camshaft**
- Figure 11. Piston pin**
- Figure 12. Current Position of Piston**
- Figure 13. Velocity of moving Piston**
- Figure 14. Acceleration of moving Piston**
- Figure 15. Parameters of Crank mechanism**
- Figure 16. Forces acting on Crank mechanism**
- Figure 17. Balancing of Crankshaft**
- Figure 18. Piston parameters**
- Figure 19. Section view of Piston at location of oil ring**
- Figure 20. Contact pressure distribution between Piston pin, Piston and Connecting rod**
- Figure 21. Piston ring dimensions**
- Figure 22. Connecting rod upper Head, Front and side view – Force distribution**
- Figure 23. Forces acting on lower head of Connecting rod**



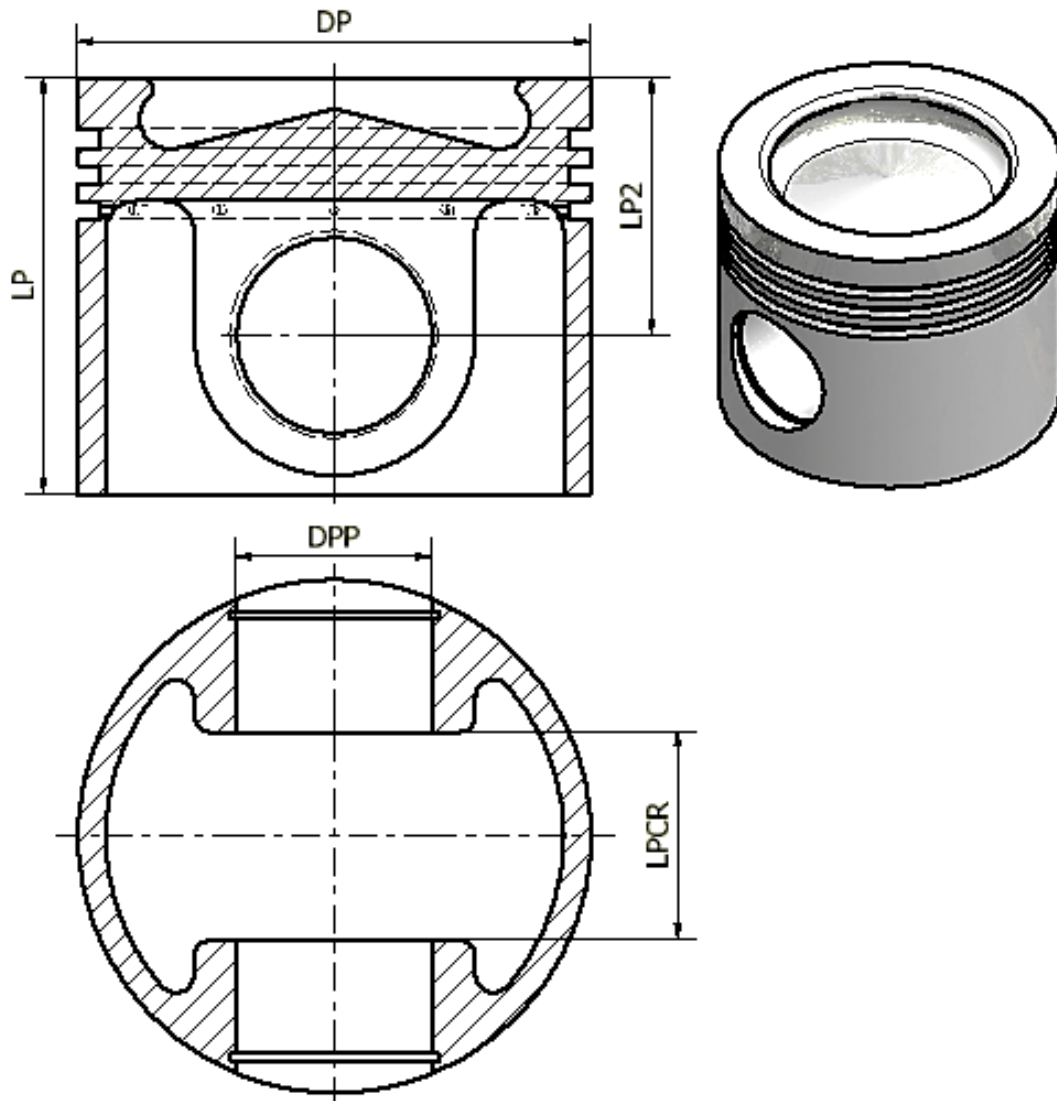
Attachment 1. CYLINDER BLOCK PARAMETERS



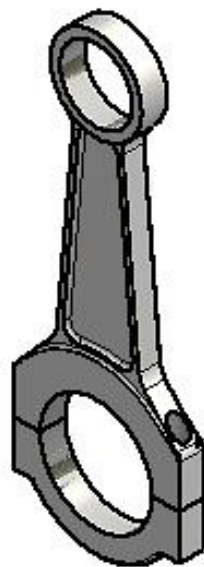
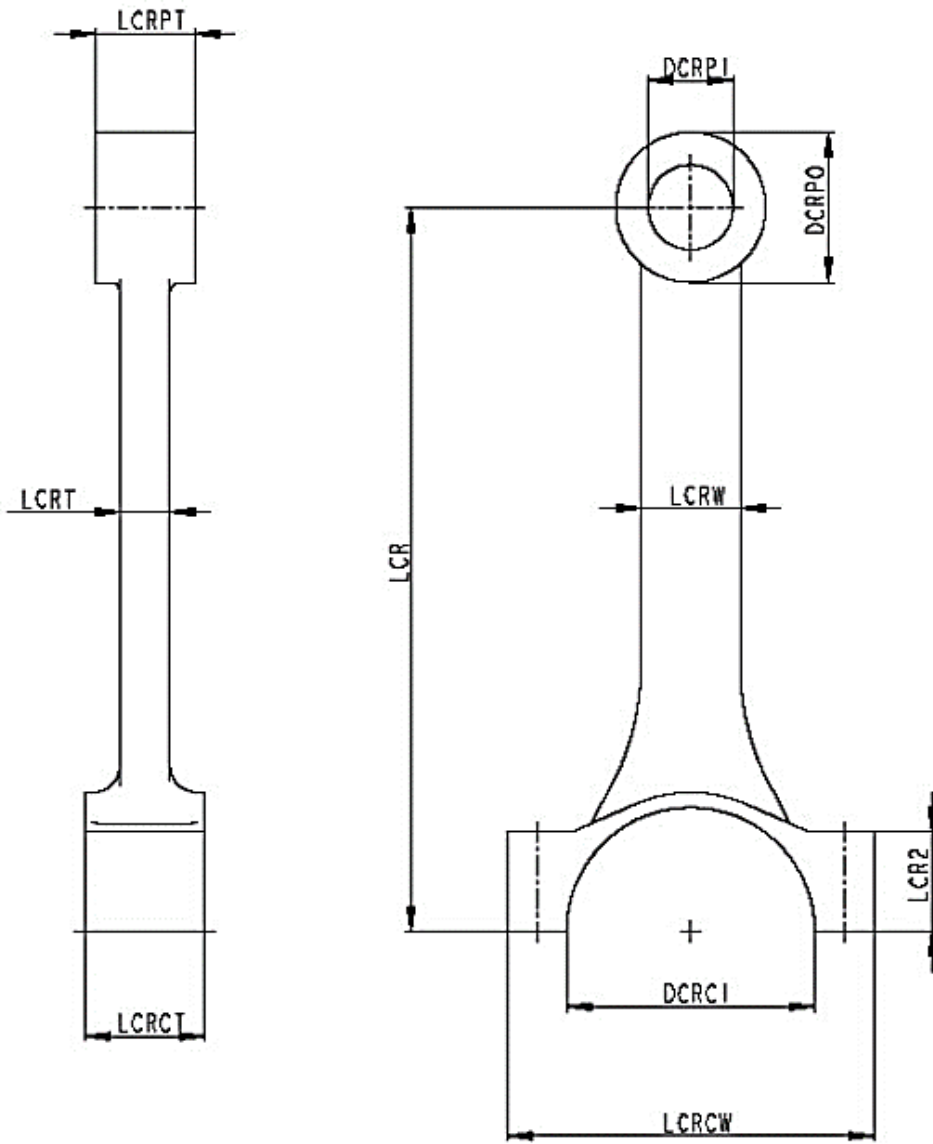
Attachment 2. CYLINDER BLOCK – 3D MODEL



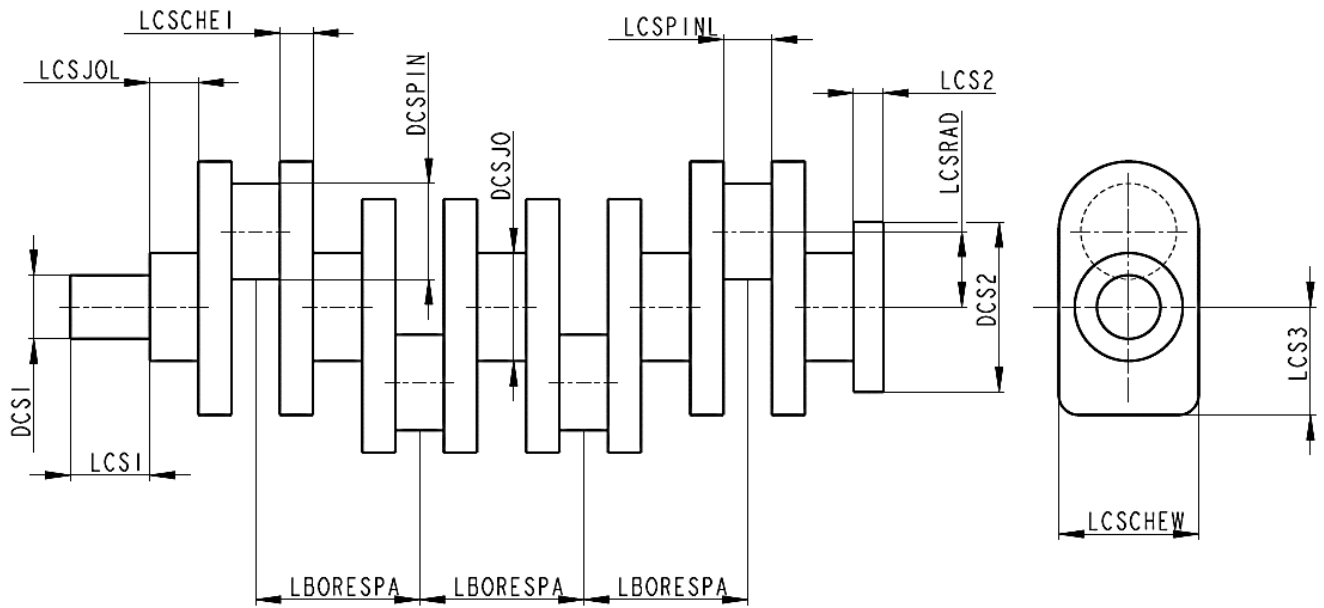
Attachment 3. PISTON PIN PARAMETERS– 3D MODEL



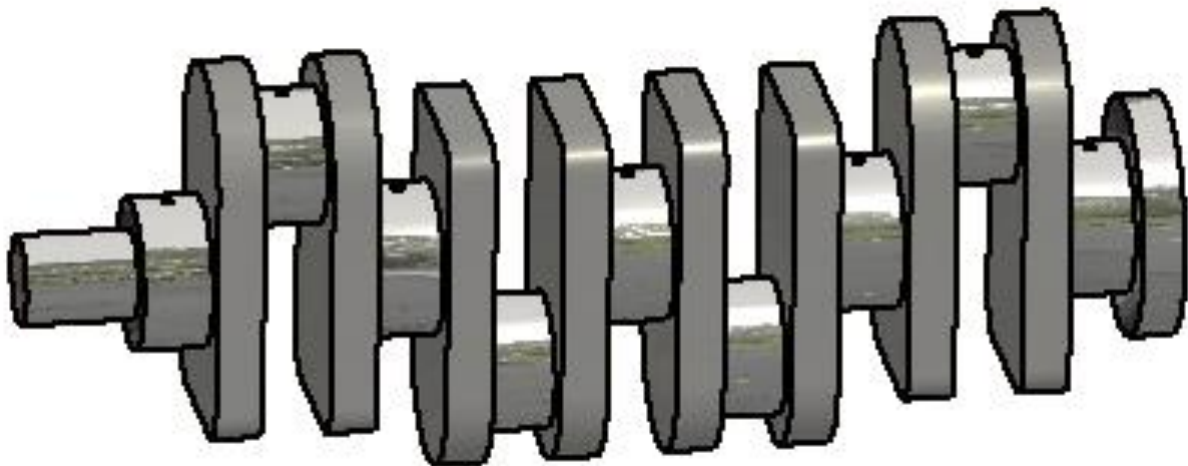
Attachment 4. PISTON PARAMETERS – 3D MODEL



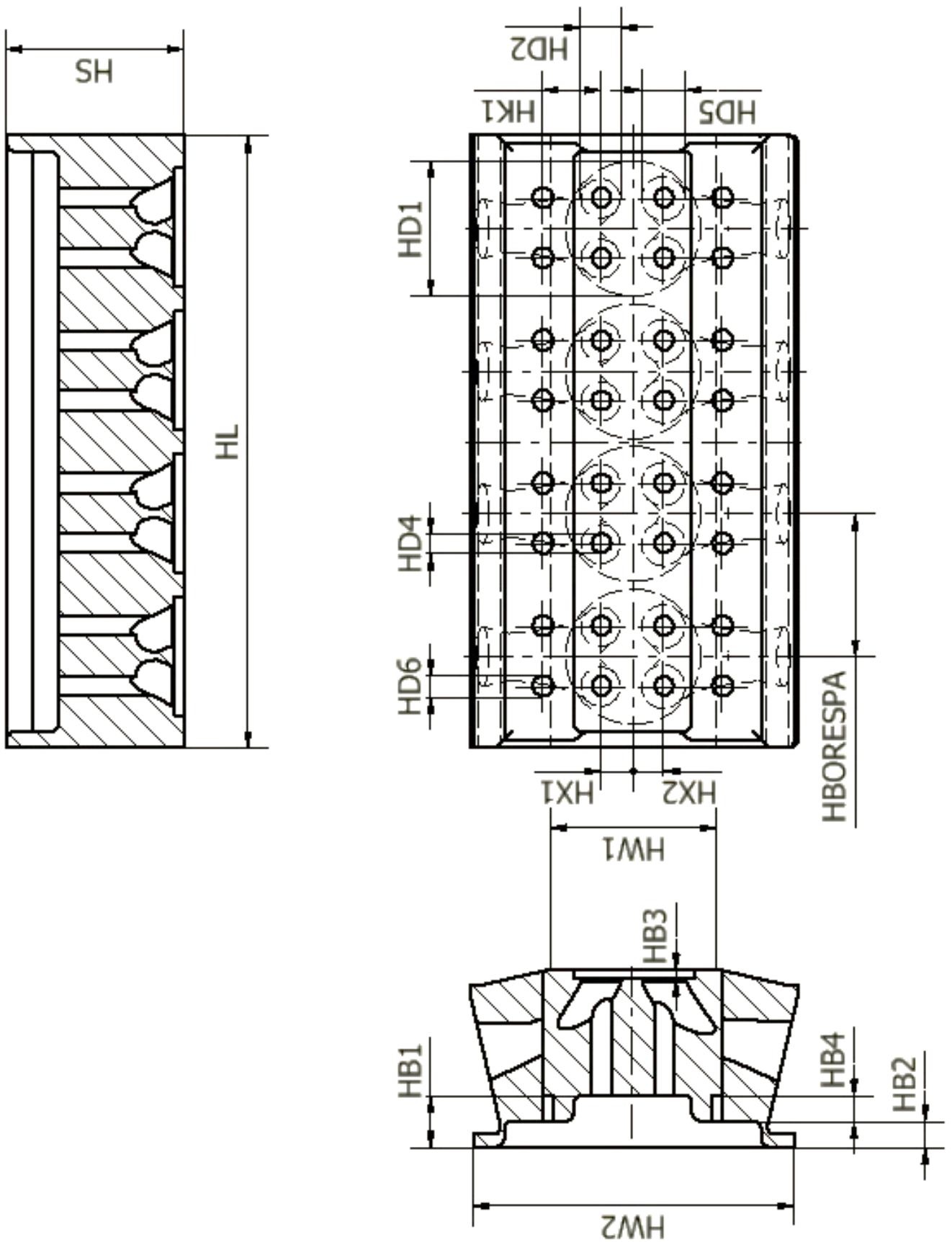
Attachment 5. CONNECTING ROD PARAMETERS – 3D MODEL



Attachment 6. CRANKSHAFT PARAMETERS

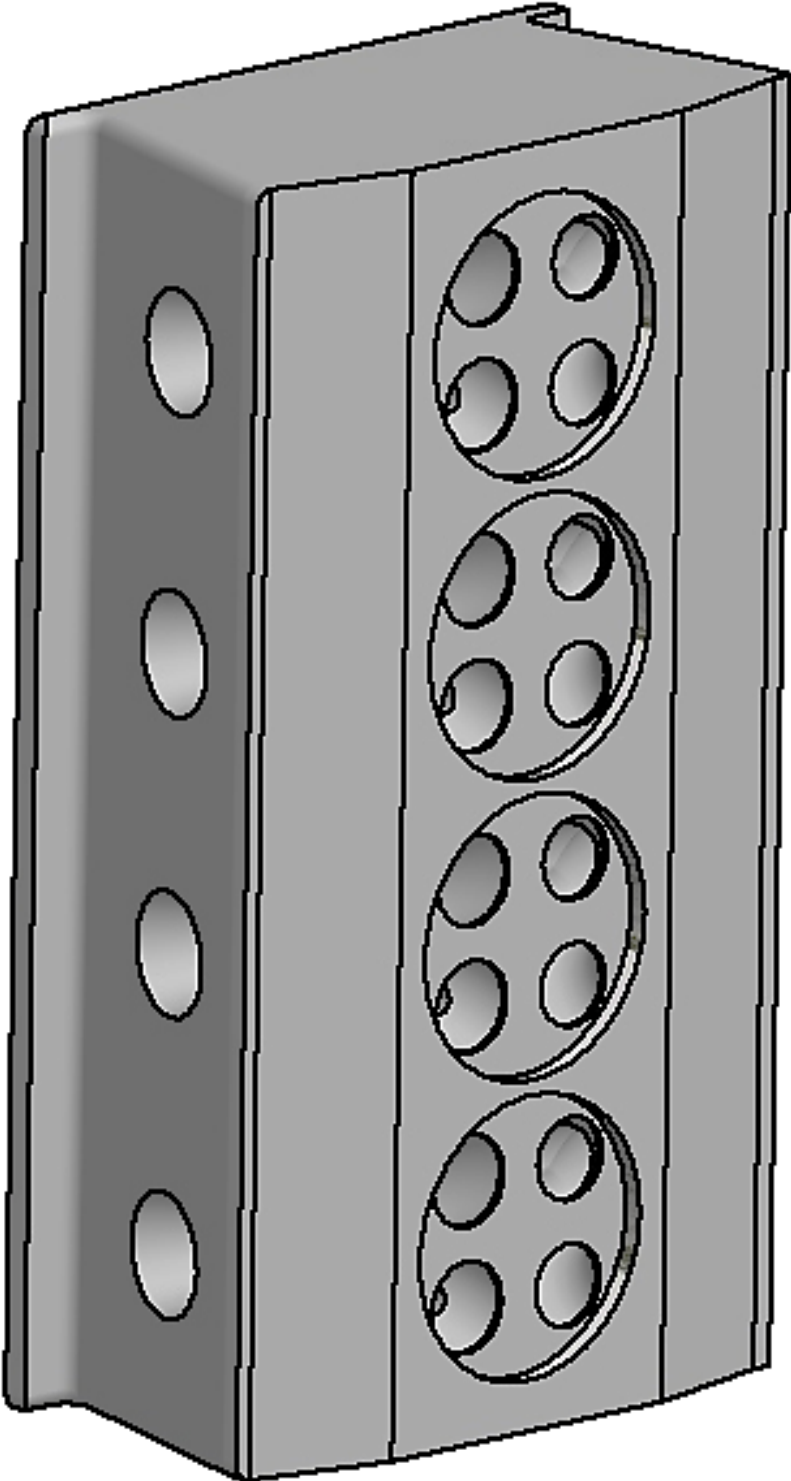


Attachment 7. CRANKSHAFT – 3D MODEL

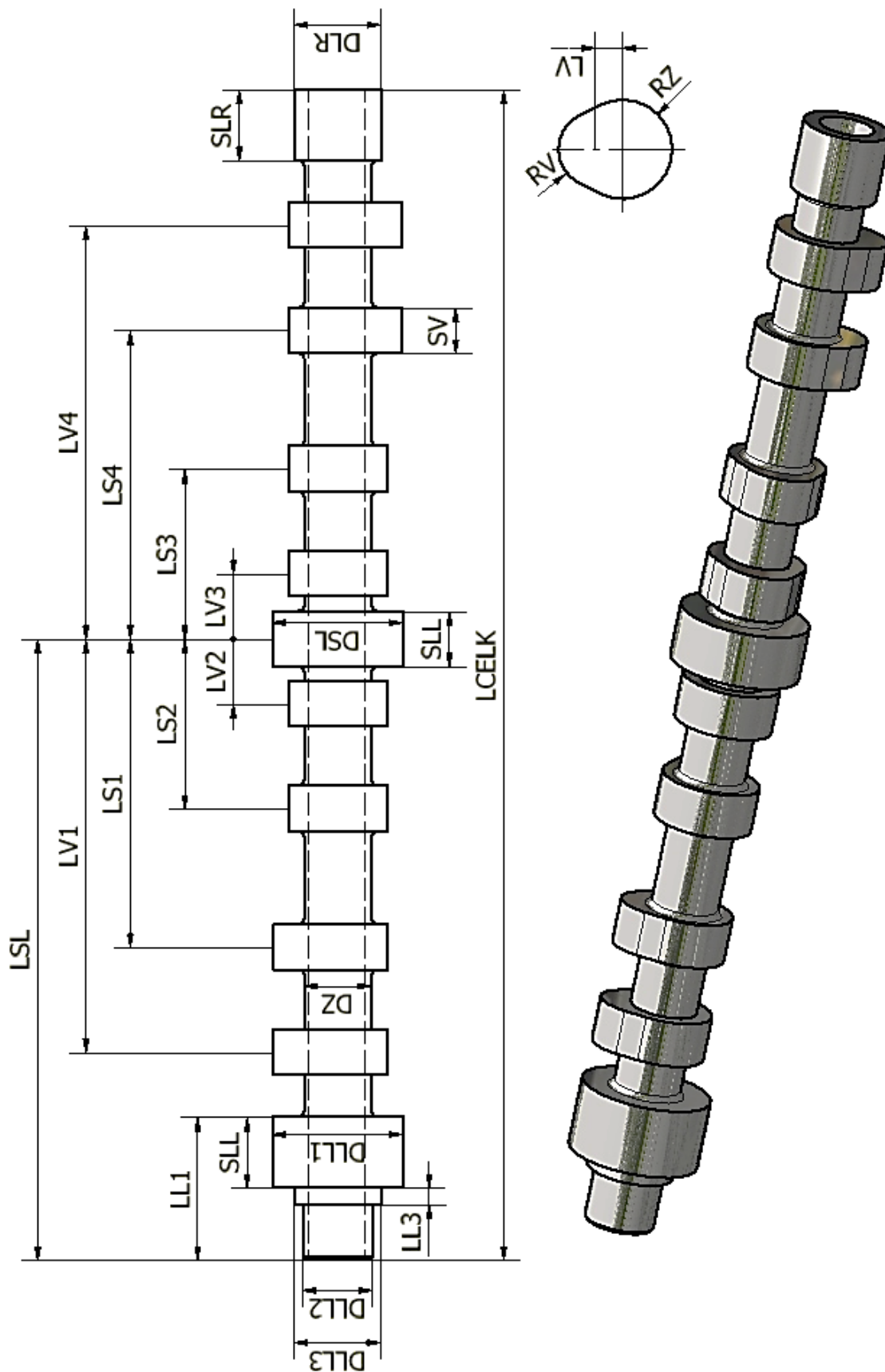


Attachment 8.

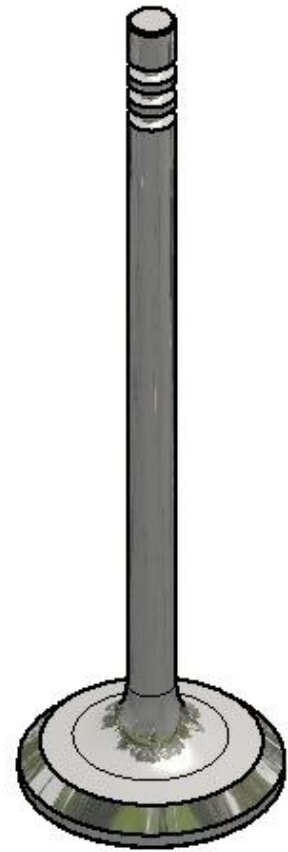
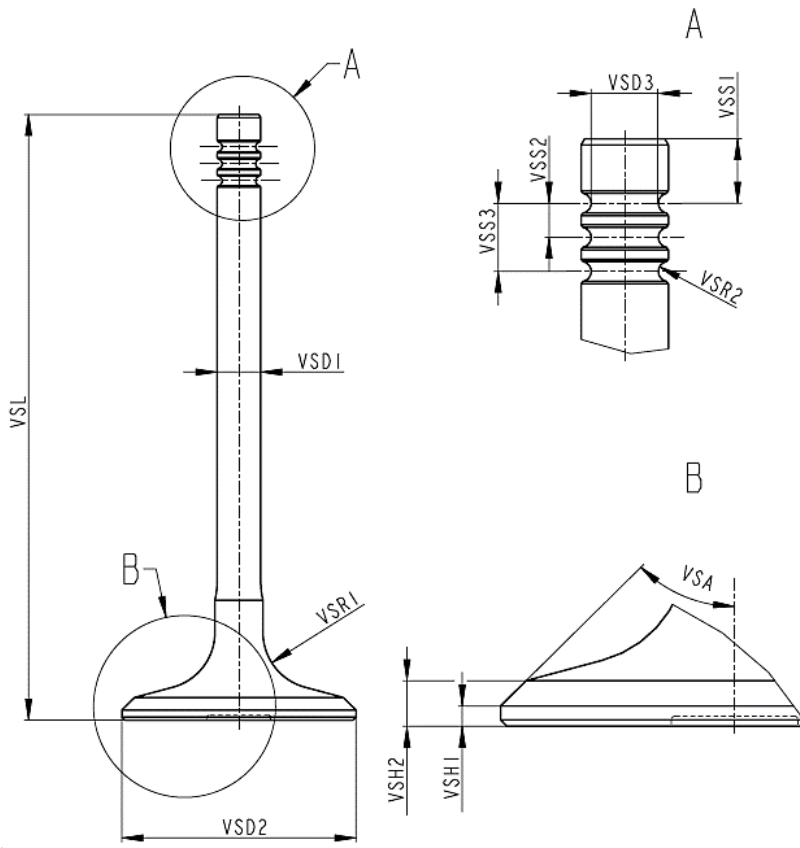
CYLINDER HEAD PARAMETERS



Attachment 9. CYLINDER HEAD – 3D MODEL

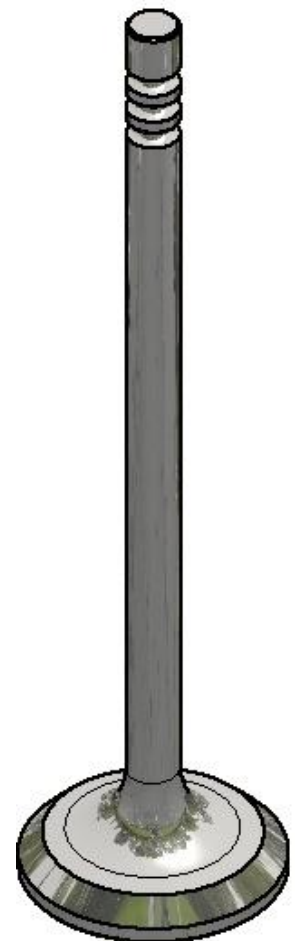
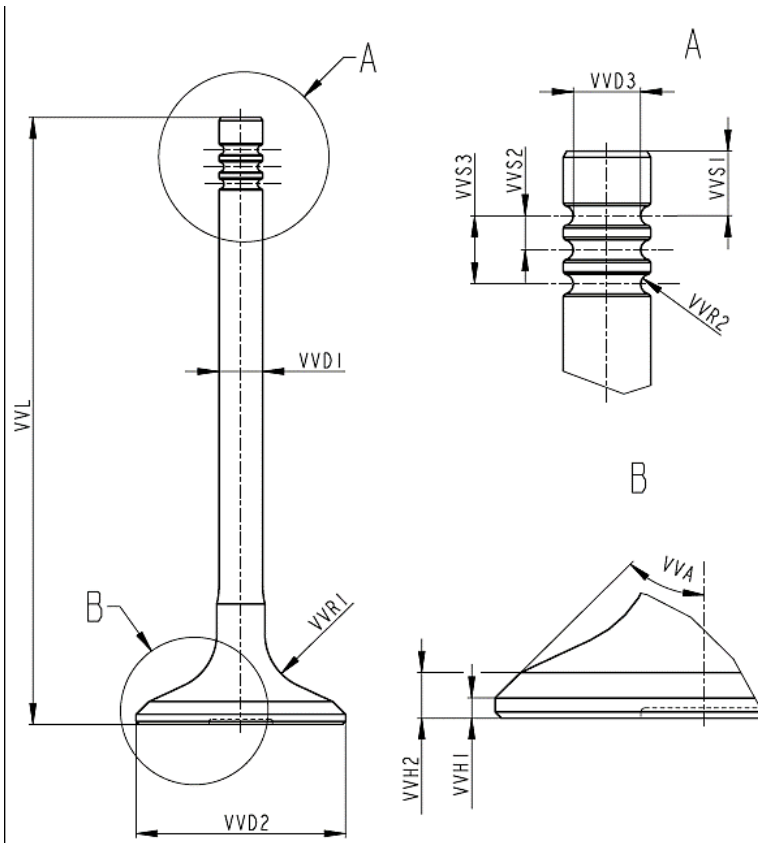


Attachment 10. CAMSHAFT PARAMETERS – 3D MODE



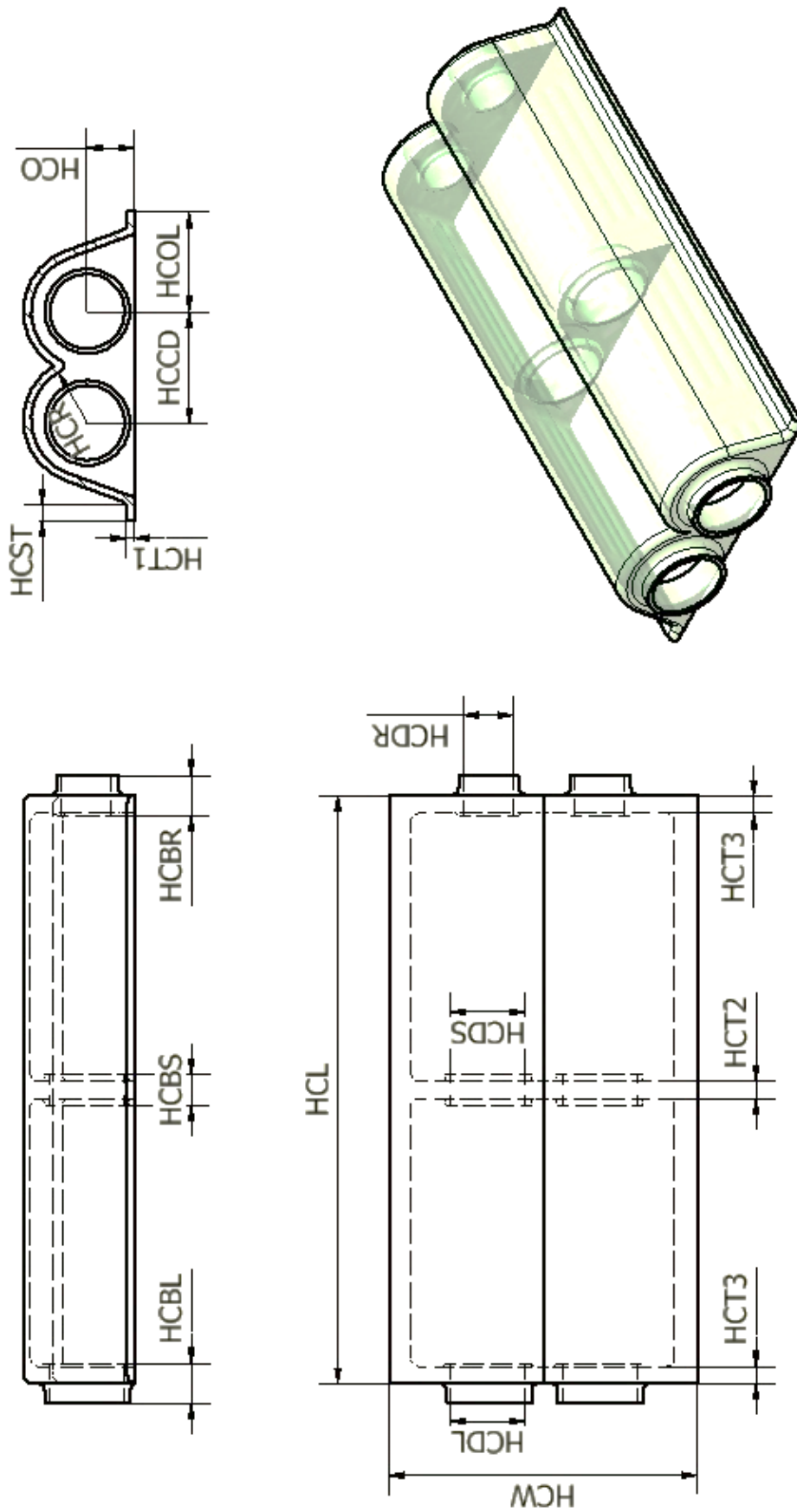
Attachment 11.

INTAKE VALVE PARAMETERS – 3D MODEL



Attachment 12.

EXHASUT VALVE PARAMETERS – 3D MODEL



Attachment 13. HEAD COVER PARAMETERS – 3D MODEL