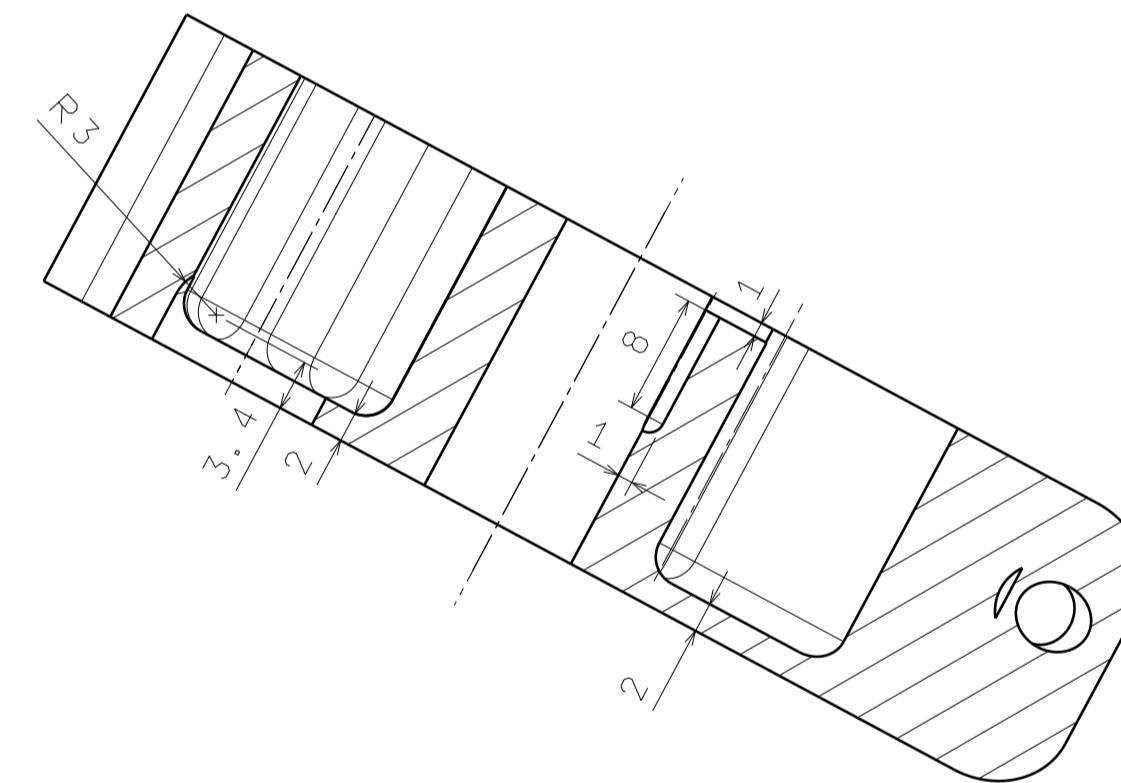
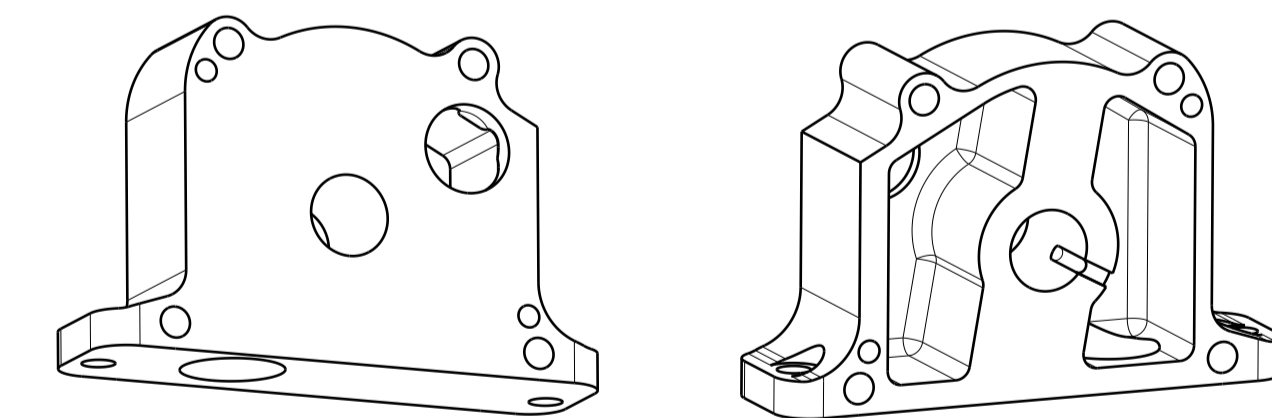
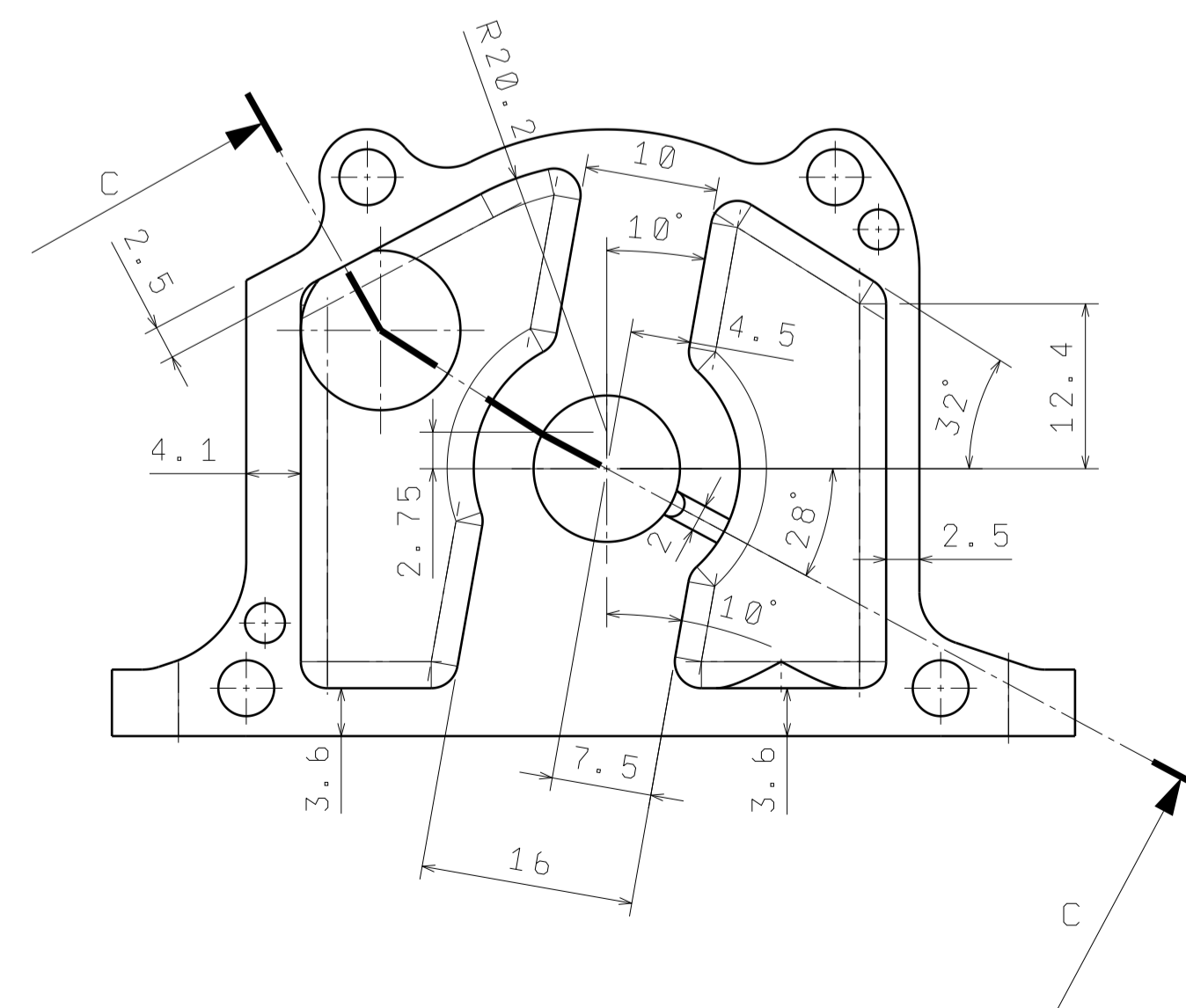
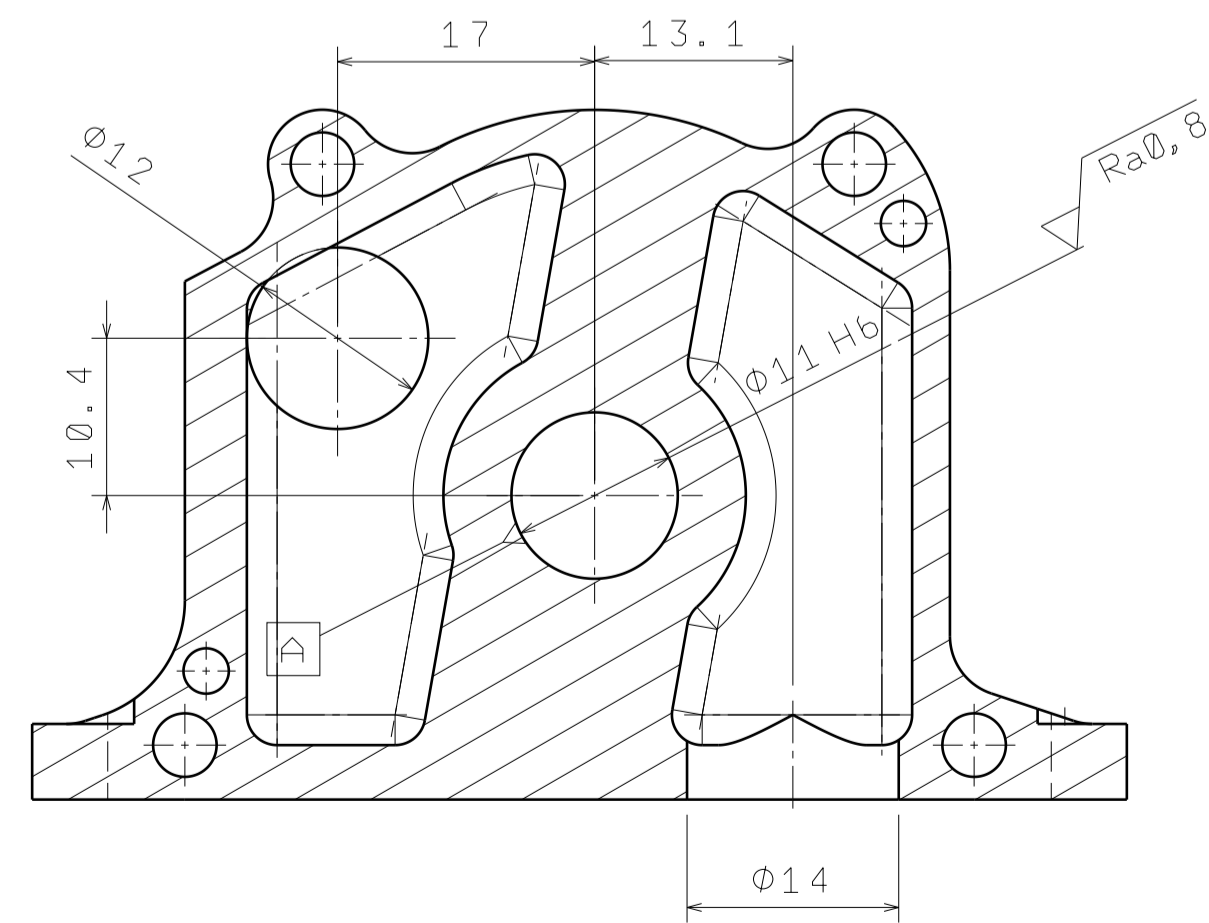


C-C (2:1)



B-B (2:1)



Neoznacene radiusy R2
Povrchova uprava aplikaci DLC povlaku

Ra3,2 Ra0,8 Ra1,6

MATERIAL: EN AW 7075							
SERIAL PRODUCT: HP 00404-20							
PROJECTION: ISO 015		ISO E1					
TOLERANCE: ISO 2769 - M3		ISO 8015					
DRAWN: URBAN	DATE: 16.5.2015	NORM. REF.:	SIGNATURE:	DATE:	ZNA:	DATUM:	POPSIS:
CHECKED:	APPROVED:				HEIGHT: 0,072 kg	SCALE: 2:1	
CZECH TECHNICAL UNIVERSITY IN PRAQUE		PRODUCT DESIGNATION:					
CTU CARTECH		HP IN/OUT HOUSING					
		PRODUCT NUMBER:					
		FSOX-15-033-PT-00404-AA					