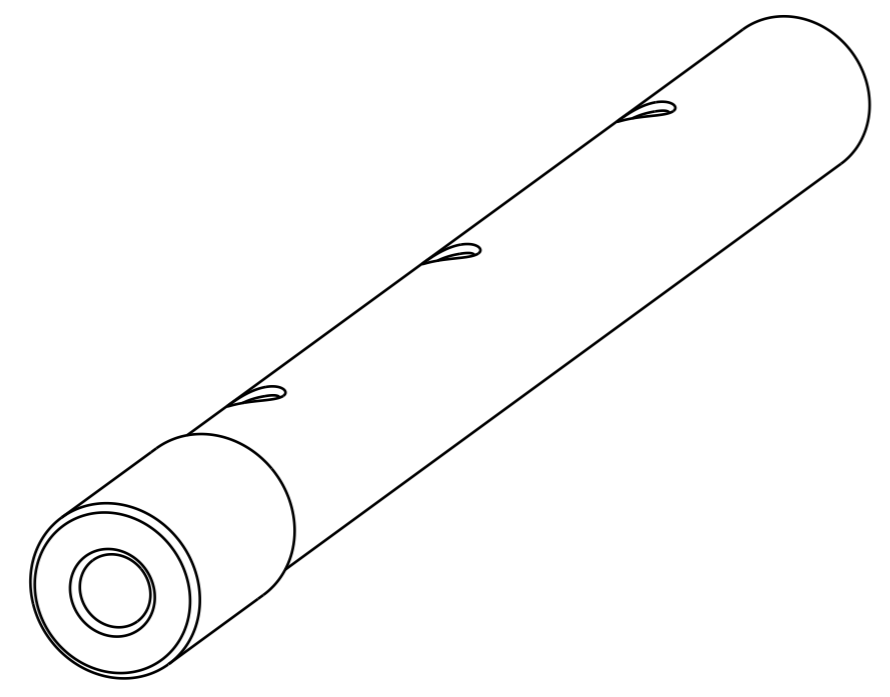


Neoznacena zkoseni $0,5 \times 45^\circ$
 Povrchova uprava aplikaci DLC povlaku
 Predepsane rozmery vctne povrchove upravy



$\sqrt{Ra 1,6}$ ($\sqrt{Ra 0,8}$)

| | | | | | | | |
|--------------------------------------|--|-----------|--|-------------------------|--|-----------------|--|
| MATERIAL: Ti 6.5 | | | | | | | |
| SEMI-PRODUCT KR14-120 | | | | | | | |
| PROJECTION: [ISO E] | | | | | | | |
| ACCURACY ISO 8015: ISO8015 | | | | | | | |
| TOLERATION ISO 2768 - mK | | INDEX | | ZINA | | DATUM | |
| NAME: | | DATE | | SIGNATURE | | DATE | |
| DRAWN URBAN | | 14.1.2015 | | NORM. REF. | | WEIGHT 0,043 kg | |
| CHECKED | | APPROVED | | ASSEMBLY | | SCALE: 2:1 | |
| CZECH TECHNICAL UNIVERSITY IN PRAGUE | | | | PRODUCT DESIGNATION: | | | |
| | | | | SC DRIVE SHAFT | | | |
| | | | | PRODUCT NUMBER | | | |
| | | | | FS07-15-033-PT-00406-AA | | | |
| | | | | LIST: | | | |